

Installation Instructions

# Condens 8300iW External Boiler Casing

8736200348



**BOSCH**

## Installation and maintenance instructions



Please read the installation instructions before installing the appliance!  
Please read the operating instructions before commissioning the appliance!



Please observe the safety instructions in the operating instructions!  
The installation location must meet the manufacturer's requirements!



Installation must only be carried out by an authorised person!



Scan here for step by  
step installation video!

### Introduction

The Bosch External Boiler Casing has been especially designed to be used only with the models listed below when installed in an external location as defined in AS/NZS5601.

Manufactured in Australia in high quality Colorbond steel (Windspray colour) to meet the demands of harsh Australian and New Zealand weather conditions.

Capacity	Bosch Part Number	Model Number	Description
25 kW	7738101049	GC8300iW 25 23	25 kW heating boiler, NG model
35 kW	7738101048	GC8300iW 35 23	35 kW heating boiler, NG model
40 kW	7738101047	GC8300iW 35/40 C 23	35 kW heating & 40 kW domestic hot water combi boiler, NG model

When installing any of the above Condens 8300iW boiler models in the external casing, the horizontal flue terminal (7738112499) must be used. The installation instructions supplied with the flue terminal must be followed to ensure the correct fitting of the flue terminal to the front cover of the external casing. All models will require the flue to be adjusted to correctly fit the external casing.



**DANGER:**

This external boiler casing must not be installed indoors or in an enclosed space in accordance with AS/NZS5601.

## Regulations

All local by-laws and regulations pertaining to installation and use of gas appliances must be observed. This appliance must be installed in accordance with the manufacturers installation instructions, AS/NZS5601, AS/ NZS3500, and all Local Building & Gas fitting regulations. This External casing must not be installed indoors or in an enclosed space. This External Boiler Casing is approved for outdoor installation only. Do not install this External Boiler Casing with any modification or alteration. Failure to install this appliance in accordance with these installation instructions will void the warranty and may create an unsafe situation.

## Installation

### To be installed and serviced only by an authorised person

The “authorised installing person” is responsible for:

- Correct installation and commissioning of this appliance.
- Ensuring the appliance performs to the specifications stated on the rating label.
- Demonstrating the operation of the appliance to the customer before leaving.
- Handing the operating instructions to the customer.

**IMPORTANT:**

Installation of external boiler casing back panel must be made before the boiler itself is hung on the wall.

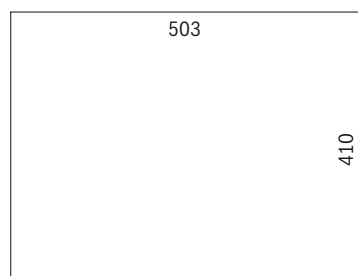
Once the external boiler casing back panel has been installed (step 2) follow the boiler installation instructions before completing the external sides and top / front of the casing. Including the commissioning.

Follow the instructions for flue terminal installation and ensure the flue is adapted to the correct size to fit the box, and the flue sealing rubber is correctly fitted.

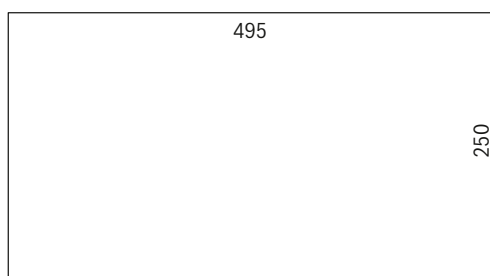
## List of components

Description	Quantity
Top Panel	1
Bottom Panel	1
Side Panel	2
Back Panel	1
Front Panel	1
Installation Instructions	1

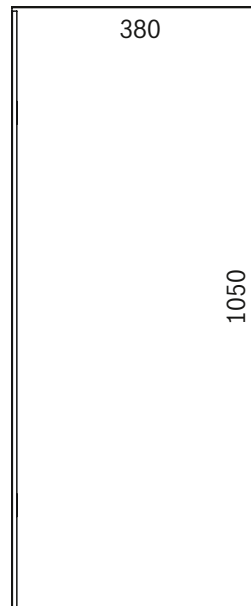
Please note, all measurements are in mm.



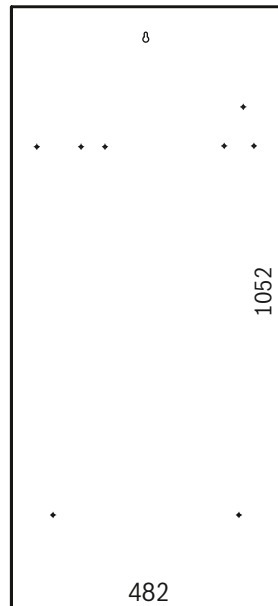
Top Panel



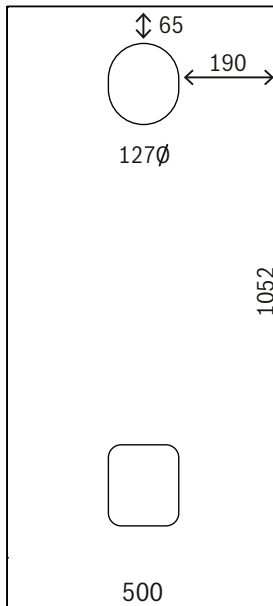
Bottom Panel



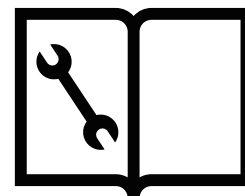
Side Panels x 2 (Left & Right)



Back Panel



Front Panel



Installation Instructions

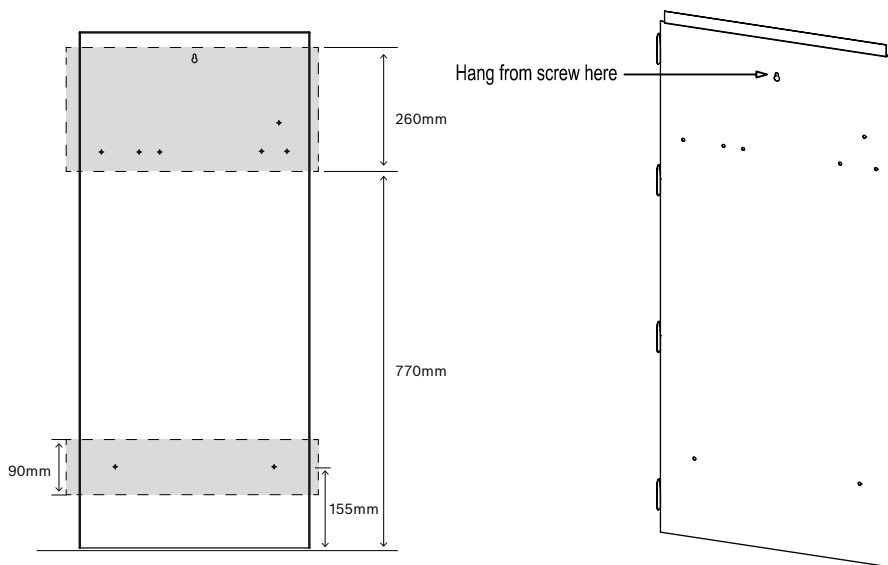
## Step by step instructions

1

Locate fixing noggins behind the casing back panel indicated by the shaded area.

The back panel must be installed onto a fixed, rigid surface at least the same size as the boiler and capable of supporting the boiler weight.

Hang the back panel to a structural wall. Position the back panel using a single screw in the central top key hole.



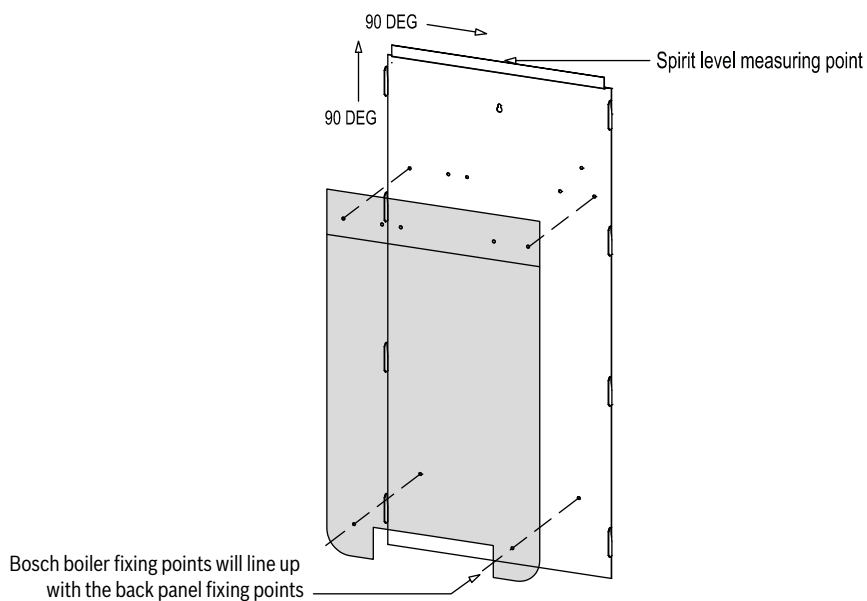
2

Position the Bosch boiler hanging bracket to the casing back panel as shown.

Be sure to level the two brackets prior to fixing to wall.

Fix to wall using appropriate mechanical fixers at multiple points as shown.

Don't screw the screws in fully.

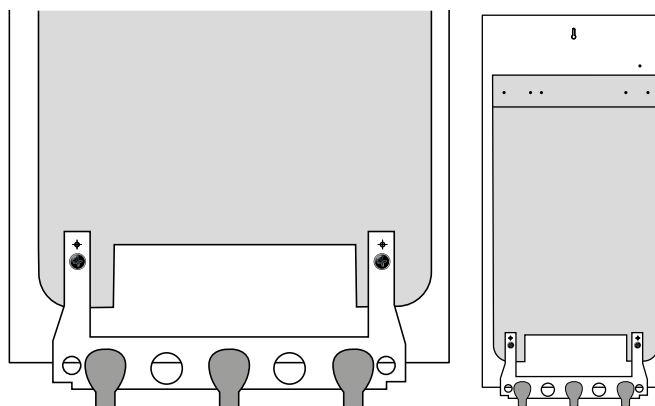


3

Screw in bottom two screws loosely, and hang the boiler manifold from these points.

Once boiler manifold is hung, secure the screws.

Then tighten the top of the boiler bracket fixings.



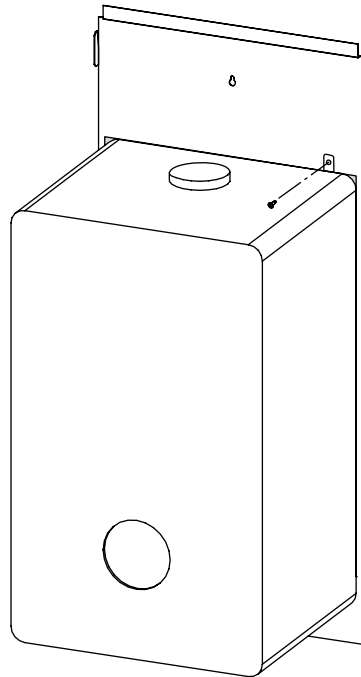
## Step by step instructions

Once the boiler manifold has been installed, install the Bosch boiler.

Refer to Bosch boiler installation instructions.

Once boiler has been installed, return to this instruction manual to complete the external casing installation.

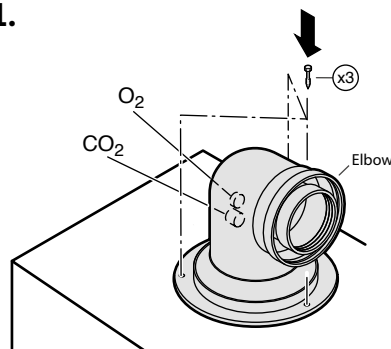
- 4 Ensure the tab on top of boiler is fixed back to wall with appropriate fixing.



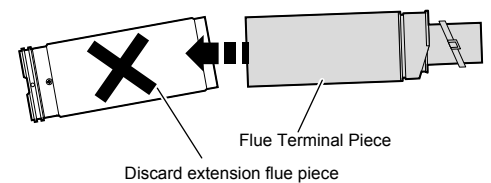
### Horizontal Flue Installation (7738112499)

1. Mount flue elbow to top of boiler.
2. Remove flue terminal end from extension flue piece and discard extension.
3. Install flue terminal piece directly into elbow, fixing with screw.

1.

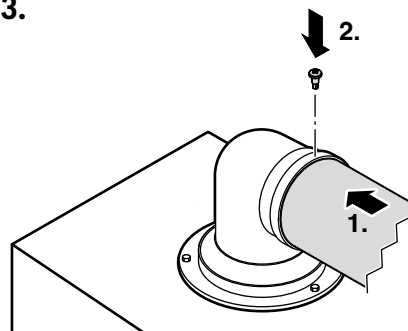


2.

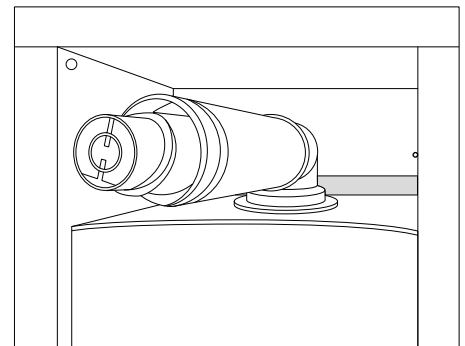


5

3.



Refer to flue kit installation manual for more information

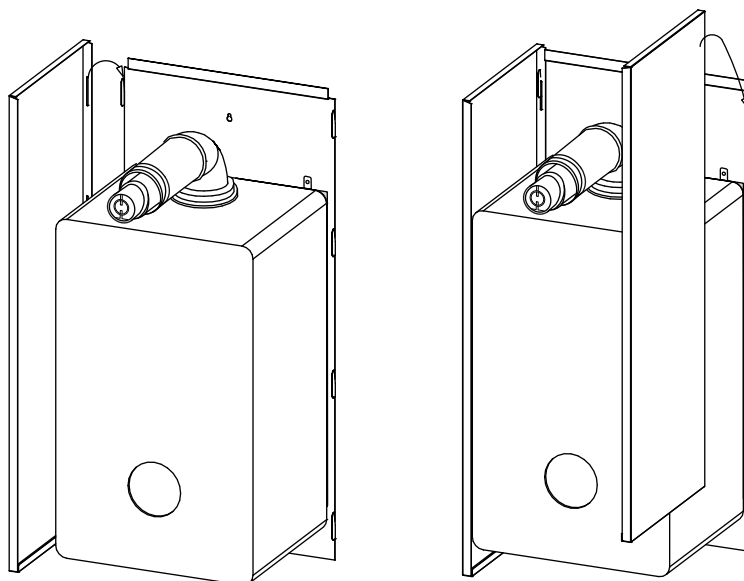


## Step by step instructions

Once the Bosch boiler has been installed, the remaining external casing assembly can now be completed.

Slot in the left hand side wall panel to the rear bracket hooks as shown.

- 6 Slot in the right hand side wall panel to the rear bracket hooks as shown.

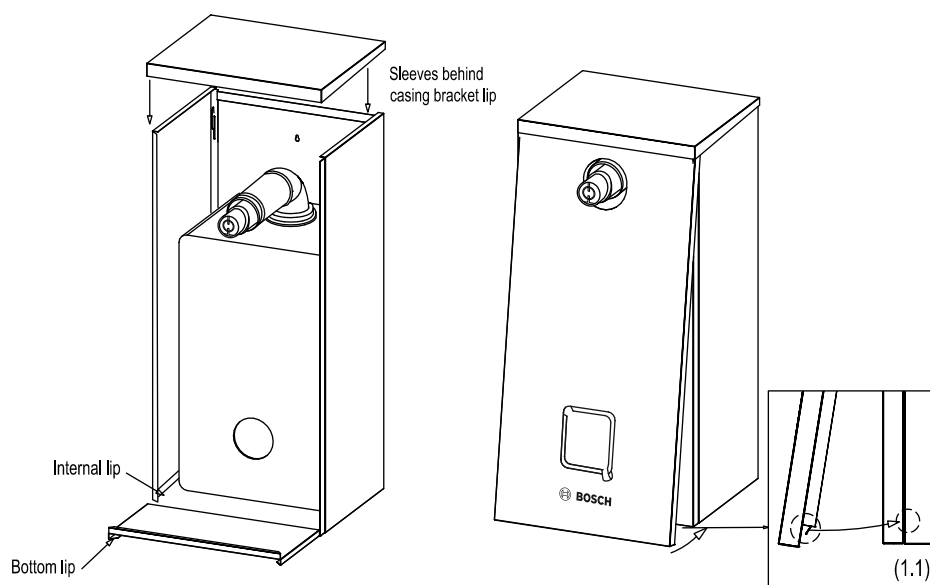


Slide in the bottom panel by guiding the bottom lip into to internal lip of the side wall panels (for both left and right hand side)

Sleeve the top panel over the side wall panels and the rear casing bracket.

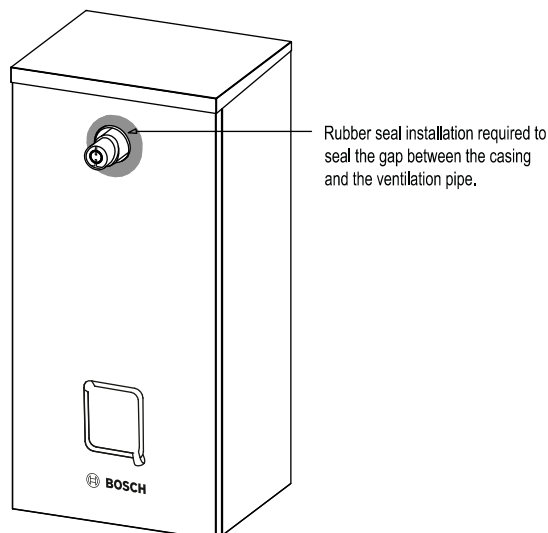
- 7 Sleeve the front panel up inside the top panel and push into the side walls.

Ensure you click the bottom into the base panel as detailed below (1.1)



Once the external casing is complete. Sleeve the rubber seal over the ventilation pipe.

- 8



**Robert Bosch (Australia) Pty. Ltd.**

1555 Centre Rd  
Clayton Victoria 3168  
Sales Hotline: 1300 30 70 37

**[bosch-thermotechnology.com.au](http://bosch-thermotechnology.com.au)**

New Zealand  
Sales Hotline: 0800 54 33 52

**[bosch-thermotechnology.co.nz](http://bosch-thermotechnology.co.nz)**

Technical data subject to modification without notice.

Printed in Australia. Any color variations are due to the limitations of the printing process.

Printed on 100% chlorine-free bleached cellulose manufactured in an environmentally friendly process. KR D 12/2022 – RB 4773 HWH