

6 720 819 292 (2022/10) US/CA/MX



WARNING:

These installation instructions are intended solely for use by a licensed heating contractor or service technician. Read all instructions before installing. Perform steps exactly in the order given. Failure to follow these instructions can result in severe injury, death or property damage.



PELIGRO:

Este manual de instalación únicamente lo pueden utilizar instaladores de calefacción o técnicos especializados. Antes de la instalación, lea todas las indicaciones. Realice todas las acciones exactamente en el orden indicado. En caso de incumplimiento, existe riesgo de lesiones graves e incluso de muerte o daños materiales considerables.



AVERTISSEMENT :

Cette notice d'installation doit être utilisée uniquement par des installateurs chauffagistes ou des techniciens de maintenance qualifiés. Lisez attentivement toutes les consignes avant l'installation. Exécutez les actions précisément dans l'ordre indiqué. En cas de non-respect, vous risquez de subir de sérieuses blessures pouvant conduire à la mort ou d'entraîner de lourds dommages matériels.



SU54/5 | SU80/5 | SU100/5

[en]	Installation and maintenance instructions	2
[es]	Instrucciones de instalación y de mantenimiento	20
[fr]	Notice d'installation et d'entretien	39

Contents

1 Safety Considerations and Symbol Descriptions 2

1.1 Key to symbols 2

1.2 Safety instructions 3

1.3 Instructions for the owner and operator 4

2 Product Information 4

2.1 Scope of delivery 4

2.2 Designated use 4

2.3 Product Information 5

2.4 Data plate 5

2.5 Pressure drop curve of heating coil 5

2.6 Technical Data 6

2.7 Physical and connection dimensions 7

3 Standards, regulations and directives 8

4 Moving the tank 8

5 Installation 8

5.1 Tank installation 8

5.1.1 Requirements for installation location 8

5.1.2 Wall clearances 9

5.1.3 Positioning the tank 9

5.2 Water connections 10

5.2.1 Connecting the tank on the water side 10

5.2.2 Installing a T&P safety valve (on-site) 11

5.3 Install a tank water temperature sensor (accessory) or aquastat (accessory). 11

6 Start-up procedure 13

6.1 Commissioning the DHW tank 13

7 Shutdown 13

7.1 Shutting down the tank 13

7.2 Shutting down the heating system when there is a risk of frost 13

8 Environmental protection/disposal 13

9 Maintenance 13

9.1 Preparing the DHW tank for cleaning 13

9.2 Descaling/cleaning the tank 14

9.3 Checking the magnesium anode 15

9.3.1 Check the top magnesium anode (SU80/5, SU100/5) 15

9.3.2 Check the top magnesium anode (SU54/5) 15

9.3.3 Check the side magnesium anode (SU80/5, SU100/5) 15


9.4 Startup after maintenance 16

10 Spare Parts 17

1 Safety Considerations and Symbol Descriptions

1.1 Key to symbols

Warnings




Warnings in this document are identified by a warning triangle printed against a grey background. Keywords at the start of a warning indicate the type and seriousness of the ensuing risk if measures to prevent the risk are not taken.

The following keywords are defined and can be used in this document:

- **DANGER** indicates a hazardous situation which, if not avoided, will result in death or serious injury.
- **WARNING** indicates a hazardous situation which, if not avoided, could result in death or serious injury.
- **CAUTION** indicates a hazardous situation which, if not avoided, could result in minor to moderate injury.
- **NOTICE** is used to address practices not related to personal injury.

Important information



This symbol indicates important information where there is no risk to people or property.

Additional symbols

Symbol	Explanation
▶	Step in an action sequence
→	Cross-reference to another part of the document
•	List entry
–	List entry (second level)

Table 1

1.2 Safety instructions

Read all instructions before installing. Perform the steps in the indicated sequence. Have the DHW tank inspected by a trained service technician at least once every year. Failure to comply with these instructions can result in severe, possibly fatal, personal injury as well as damage to property and equipment.

Installation and servicing

► Risk of fire from soldering and brazing!

Take appropriate protective measures when soldering and brazing as the insulation is flammable, for example, cover the insulation.

- Ensure that only a licensed contractor installs or services the DHW tank.
- Use installation material with adequate temperature stability.

Forbidden:

Connection of the potentiostat for an impressed current anode to the magnesium anode installed in a storage tank is absolutely forbidden! This would destroy the tank! The warranty would be voided.

Installation and commissioning

- In the Commonwealth of Massachusetts, the DHW tank must be installed by a licensed plumber.
- Have an electrician connect the electrical system. The wiring diagram must be followed.
- Do not install this device in rooms with a high moisture level (e.g. bathrooms, saunas).

Function

- To ensure that the tank functions properly, heed these installation and maintenance instructions.
- Never close the blow-off line of the T&P safety valve. For safety reasons, water may escape during heating.

Danger from electric shock

- Only electricians may work on the electrical system.
- Before performing electrical work, disconnect the power and secure the unit against unintentional reconnection.
- Ensure the system has been disconnected from the power supply.

Risk of scalding at the hot water draw-off point

- When the DHW tank is in operation, temperatures in excess of 122 °F (50 °C) can occur. To limit the temperature at the tap, install a thermostatic DHW mixing valve.
- Water heated for washing the laundry, dishes and for other cleaning purposes can cause scalding and permanent injuries.
- Children, elderly, and handicapped persons are more likely to be permanently injured by hot water. Never leave such individuals in the tub or shower unattended under any circumstances. Children must not be allowed to operate hot water faucets themselves or to fill a bathtub.
- If the building has occupants in the above groups who operate hot water faucets, or state laws / local ordinances stipulate specific water temperatures, take the following precautions:
 - Use the lowest possible temperature setting.
 - To prevent scalding, install a tempering device, such as an automatic mixing valve, at hot water tap or water heater. Select and install the automatic mixing valve in accordance with the valve manufacturer's recommendations and instructions.
- Water exiting from drain valves can be extremely hot. To avoid injuries:

- Check that all connections are tight.
- Direct exiting water away from people.

- Measures must be taken to protect against excessive temperature and pressure! Installation of a T&P safety valve is required.

The chart below shows the relationship between water temperature and time until there is a risk of scalding. It can be used as the basis for determining the safest water temperature for your application.

Temperature	Time to severe scalding
120 °F (48 °C)	longer than 5 minutes
125 °F (51 °C)	1.5 to 2 minutes
130 °F (54 °C)	approx. 30 seconds
135 °F (57 °C)	approx. 10 seconds
140 °F (60 °C)	less than 5 seconds
145 °F (62 °C)	less than 3 seconds
150 °F (65 °C)	approx. 1.5 seconds
155 °F (68 °C)	approx. 1 second

Table 2 Approximate time-temperature relationship until there is a risk of scalding ¹⁾

1) Source: Moritz, A.R. and Henriques, F.C., Jr. (1947). Studies of thermal injury. II. The relative importance of time and surface temperature in the causation of cutaneous burns, Am J of Pathol, 23, 695-720.

To protect against corrosion and ensure compliance with the rules for electrical safety, observe the following points:

- Use metal fittings for drinking water heating systems with plastic piping.
- Use only original accessories from the manufacturer.
- When installation of the tank is complete, inspect the ground conductor (including metal fittings).

Maintenance

Customers are advised to:

- Sign a maintenance and inspection contract with an authorized contractor. Inspect and maintain the DHW tank as necessary on a yearly basis. Service as needed.
- Use only original spare parts.

Flooding

- After a flood, do not use the appliance if any part has been submerged. Damage to appliances that have been submerged can be quite severe and pose numerous safety risks.
- An appliance that was subject to flooding must be replaced.

Corrosion

- To reduce oxygen permeation and therefore corrosion to a minimum, do not use vapour-permeable components!

1.3 Instructions for the owner and operator



WARNING: Risk of scalding at the taps!
 There is a risk of scalding at the taps if the tank temperature is set above 122 °F (50 °C) and during thermal disinfection.
 ▶ Advise users that they should draw off only mixed water. Otherwise, install a thermostatic DHW mixing valve.



NOTICE: Risk of tank damage from excessively high pressure.
 ▶ Never plug the blow-off line of the T&P safety valve.

- ▶ Explain the operation and handling of the heating system and DHW tank, making a particular point of safety-relevant features.
- ▶ Explain the function and how to check the T&P safety valve.
- ▶ Hand all enclosed documents over to the owner/operator.
- ▶ **Recommendation for the user:** Sign a maintenance and inspection contract with a licensed contractor.
- ▶ Highlight the following for the user:
 - Water may be discharged from the T&P safety valve during heat-up.
 - The blow-off line on the T&P safety valve must always be kept open.
 - Check that the T&P safety valve operates properly at least once yearly.
 - The tank must be inspected annually and maintained as required.

2 Product Information

2.1 Scope of delivery

- Tanks
- Installation and Maintenance Instructions
- B-KIT

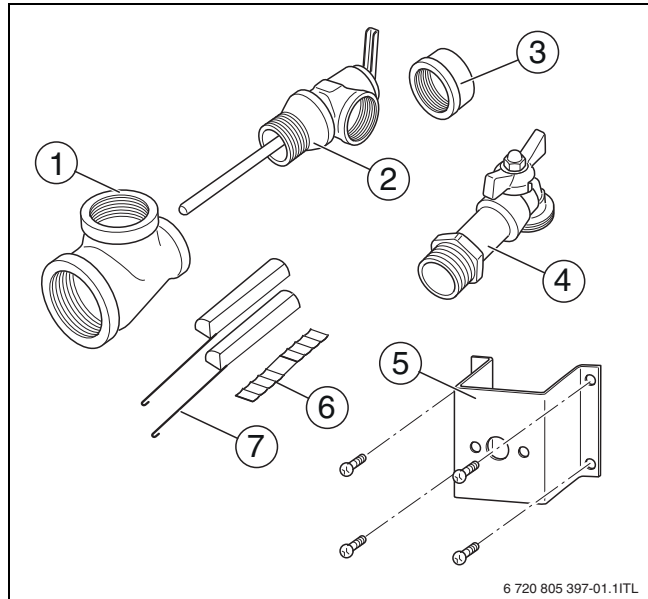


Fig. 1 B-kit

- [1] Tee 1" x 1" x ¾" (2x)
- [2] Temperature and pressure relief valve
- [3] Cap ¾"
- [4] Drain valve
- [5] Holder for Aquastat, screws for Aquastat holder (4x)
- [6] Compensation fields for aquastat or tank temperature sensor
- [7] Quarter-circle spacer for aquastat or tank temperature sensor (2x)

2.2 Designated use

The tank is designed for heating and storing drinking water. Please observe national, regional, and local codes, regulations, guidelines and standards for potable water.

Install this tank only in sealed unvented hydronic heating systems.

Any other purpose is considered improper use. Any resulting damage is excluded from the manufacturer's warranty.

Requirements for drinking water	Unit	
Water hardness, min.	ppm	36
	grain/US gallon	2.1
	°dH	2
pH value, min. – max.		6.5 – 9.5
Conductivity, min. – max.	µS/cm	130 – 1500

Table 3 Requirements for drinking water

2.3 Product Information

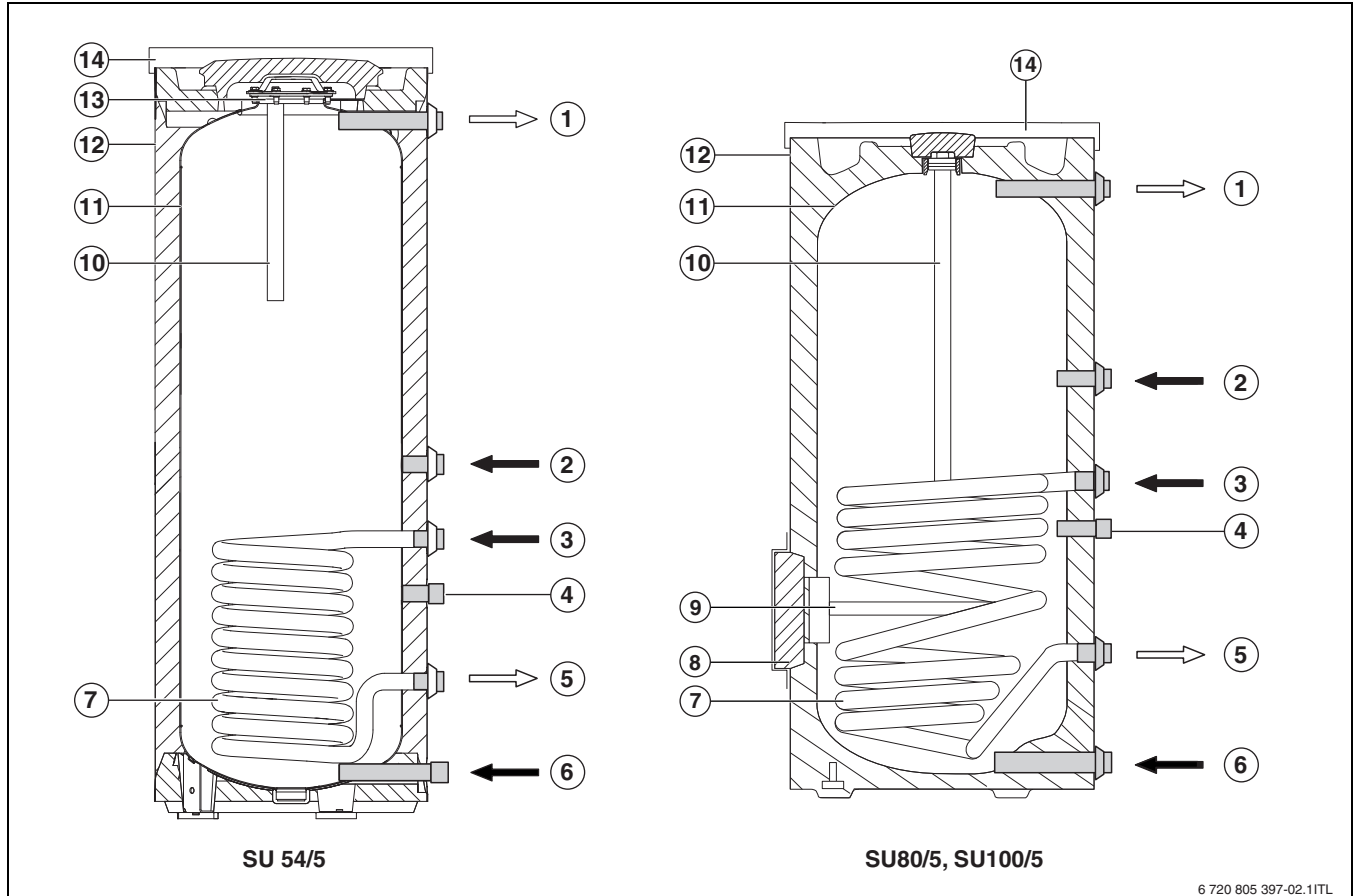


Fig. 2 Product Information

Item	Description
1	DHW outlet
2	Recirculation connection
3	Boiler supply
4	Sensor well for temperature sensor
5	Boiler return
6	Cold water inlet
7	Heat exchanger for heating by boiler, smooth enameled tubing
8	Inspection port for service and cleaning at the front
9	2nd anode in inspection port, with insulation
10	SU54/5: 2x electrically insulated installed magnesium anode SU80, SU100/5: electrically uninsulated installed magnesium anode
11	Tank, enameled steel
12	Jacket, painted sheet metal with rigid polyurethane foam insulation, 2" (50 mm)
13	Inspection port for service and cleaning
14	PS top cover

Table 4 Product Information

2.4 Data plate

The data plate is located at the top rear of the DHW tank.

2.5 Pressure drop curve of heating coil

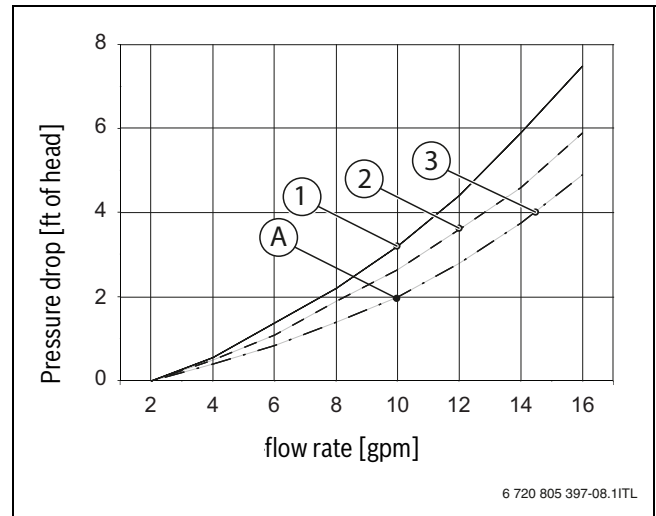


Fig. 3 Pressure drop curve

- [1] SU100/5
- [2] SU80/5
- [3] SU54/5

Example:

- [A] 10 gpm, 2 ft of head

2.6 Technical Data

	Unit	SU54/5	SU80/5	SU100/5
Tank capacity				
Tank capacity (total)	gal (l)	51.3 (194)	77.4 (293)	98.4 (372)
Maximum flow rate	gpm (l/min)	5.1 (19)	7.7 (29)	9.8 (37)
Maximum DHW temperature	°F (°C)	203 (95)	203 (95)	203 (95)
Maximum operating pressure DHW	psi (bar)	150 (10.3)	150 (10.3)	150 (10.3)
Standby heat loss (149 °F (65 °C) DHW temperature, 68 °F (20 °C) room temperature)	°F/h (K/h)	0.7 (0.39)	0.6 (0.33)	0.5 (0.28)
DHW tank performance at:				
Domestic cold water inlet temperature	°F (°C)	50 (10)	50 (10)	50 (10)
Domestic hot water outlet temperature	°F (°C)	140 (60)	140 (60)	140 (60)
DHW temperature rise	°F (°C)	90 (50)	90 (50)	90 (50)
Heat exchanger supply temperature (heating water)	°F (°C)	176 (80)	176 (80)	176 (80)
Flow rate (heating water)	gpm (l/h)	11.4 (2600)	11.4 (2600)	14 (3180)
Pressure drop (heating water)	foh (mbar)	2.4 (72)	2.7 (81)	3.8 (114)
Continuous rating	gph (l/h) gpm (l/min)	130 (462) 2.00 (8.2)	189 (484) 2.10 (11.9)	218 (787) 3.05 (13.7)
Amount that can be drawn off in the first hour	gph (l/h)	180 (680)	264 (1000)	312 (1180)
Maximum heat input	btu/hr (kW)	84 879 (24.9)	119 217 (34.9)	143 872 (42.2)
Heat exchanger				
Content	gal (l)	1.5 (5.7)	2.3 (8.7)	3.1 (11.7)
Surface area	ft ² (m ²)	9.69 (0.9)	13.99 (1.3)	19.38 (1.8)
Maximum heating water temperature	°F (°C)	230 (110)	230 (110)	230 (110)
Max. operating pressure, heat exchanger	psi (bar)	232 (16)	232 (16)	232 (16)

Table 5 Technical Data

2.7 Physical and connection dimensions

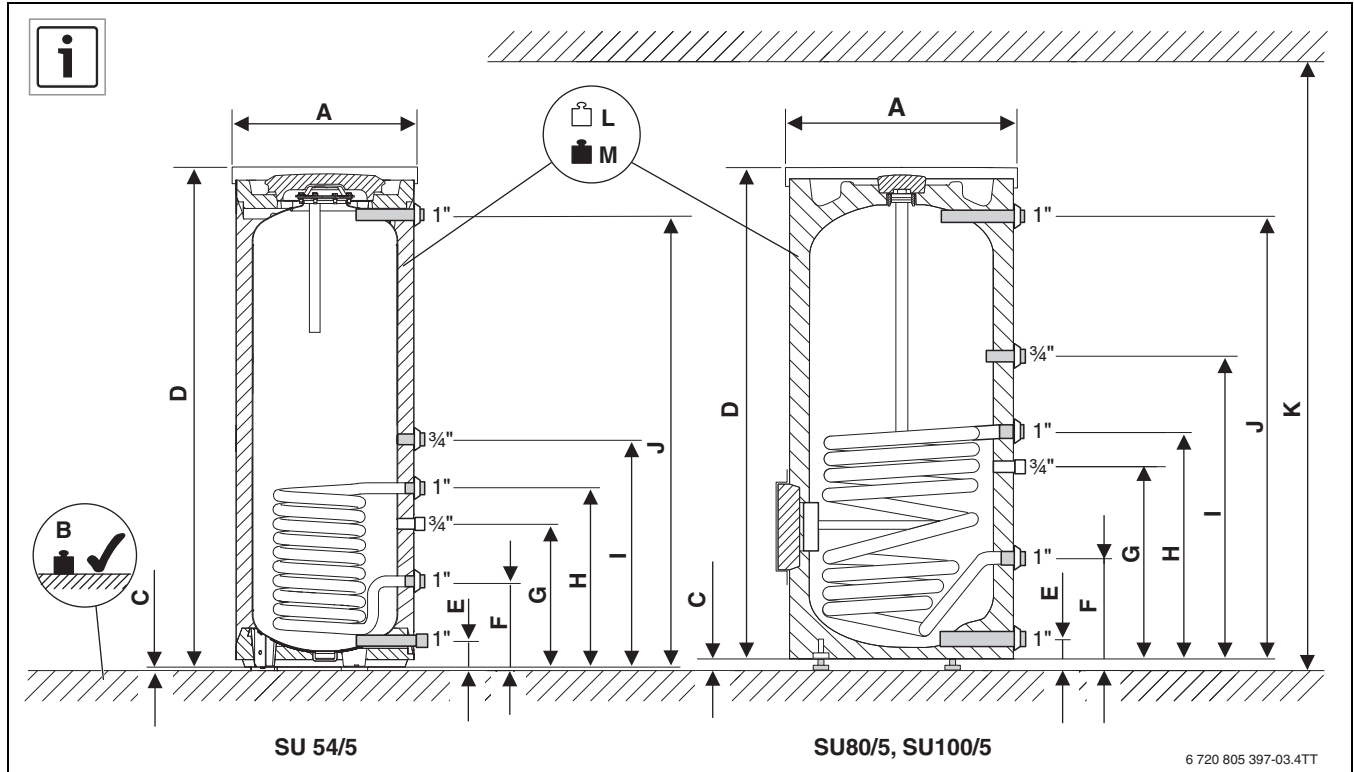


Fig. 4 Physical and connection dimensions

Item	Description	Unit	SU54/5	SU80/5	SU100/5
A	Diameter	inch (mm)	21-3/4 (550)	26-3/8 (670)	26-3/8 (670)
B	Minimum floor weight carrying capacity	lb (kg)	628 (284)	893 (405)	1122 (509)
C	Clearance off floor	inch (mm)	1/2 (12.5)	3/8 - 3/4 (12.5)	3/8 - 3/4 (12.5)
D	Overall height	inch (mm)	60-1/4 (1530)	58-7/8 (1495)	72-1/4 (1835)
E	Height, cold water inlet	inch (mm)	3-1/4 (80)	3-1/8 (80)	3-1/8 (80)
F	Height, tank return	inch (mm)	10-1/2 (265)	12-1/2 (318)	12-1/2 (318)
G	Height, sensor well for temperature sensor	inch (mm)	17-1/8 (433)	31-1/5 (617)	24-3/10 (793)
H	High boiler supply	inch (mm)	21-7/8 (553)	28-1/2 (722)	35-3/8 (898)
i	Height, recirculation connection	inch (mm)	27-3/4 (703)	35-1/2 (903)	45 (1148)
J	Height, hot water outlet	inch (mm)	56.4 (1399)	53-3/8 (1355)	66-3/4 (1695)
K	Minimum room height for anode replacement	inch (mm)	74-1/4 (1880)	72-7/8 (1850)	82-3/4 (2100)
V	Weight (empty)	lb (kg)	160.9 (73)	231.5 (105)	282.2 (128)
M	Weight (full)	lb (kg)	601.9 (273)	892.9 (405)	1142 (518)

Table 6 Physical and connection dimensions

3 Standards, regulations and directives

i Observe all national, state, and local code, regulations and standards applicable to installation and operation of the tank!

i All electrical components must be approved for the USA and Canada.

4 Moving the tank

! **WARNING:** Risk of injury from carrying heavy loads and inadequately securing loads for transport!

- ▶ Use suitable means of transportation, e.g. a dolly with strap.
- ▶ Secure the load against falling.

i Where possible, do not remove the DHW tank from its packaging until it has reached the installation location. This ensures protection during handling.

- ▶ Position the dolly at the back of the packed DHW tank.
- ▶ Secure the DHW tank to the means of transportation with a strap.
- ▶ Transport the DHW tank to the installation location.
- ▶ Only remove the DHW tank from the packaging at the installation location.

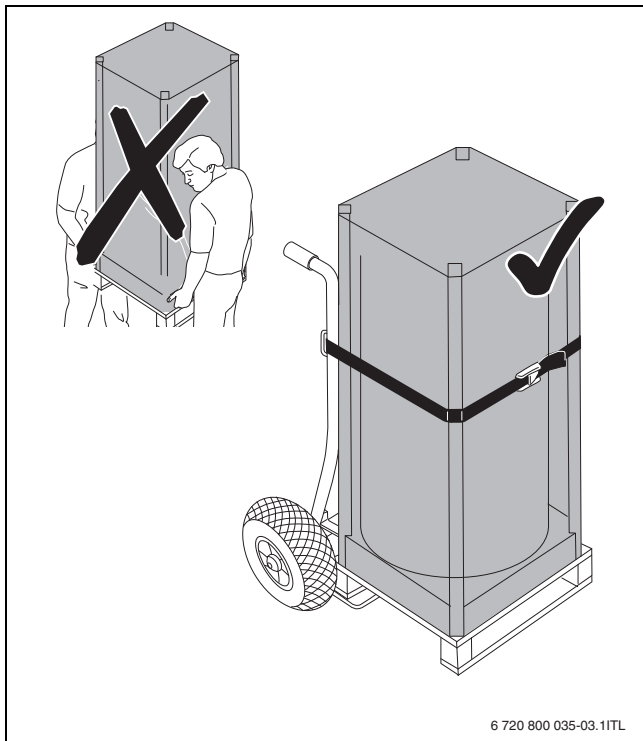


Fig. 5 Transporting with a dolly

5 Installation

The tank is delivered fully assembled.

- ▶ Check that the tank is complete and undamaged.

5.1 Tank installation

5.1.1 Requirements for installation location

! **NOTICE:** Risk of damage from inadequate load-bearing capacity of the supporting substructure or unsuitable floor surface!

- ▶ Ensure that the installation area is level and offers sufficient load-bearing capacity.

! **NOTICE:** Risk of damage from stress cracking and corrosion!

- ▶ Position the DHW tank in a dry room free from the risk of freezing.
- ▶ Install the tank only in closed-loop, unvented hydronic heating systems.
- ▶ Open expansion vessels may NOT be used with this tank.

! **NOTICE:** If leaks can result in property damage or a drain pan is required by law:

- ▶ Install an adequate drain pan.
- ▶ Follow the installation instructions of the drain pan manufacturer.

i Install an adequate drain pan if required by code, or if a leak could result in property damage. Follow drain pan manufacturer's instructions.

- ▶ Place the DHW tank on a plinth if there is any danger of water collecting on the floor of the setup site.
- ▶ The installation site must be a dry and frost-free room.
- ▶ Observe minimum room height (→ Tab. 6, page 7) and minimum wall clearance in installation room (→ Fig. 6).
- ▶ Maintain a distance of 2" (51 mm) from heated pipes and combustible surfaces.

5.1.2 Wall clearances

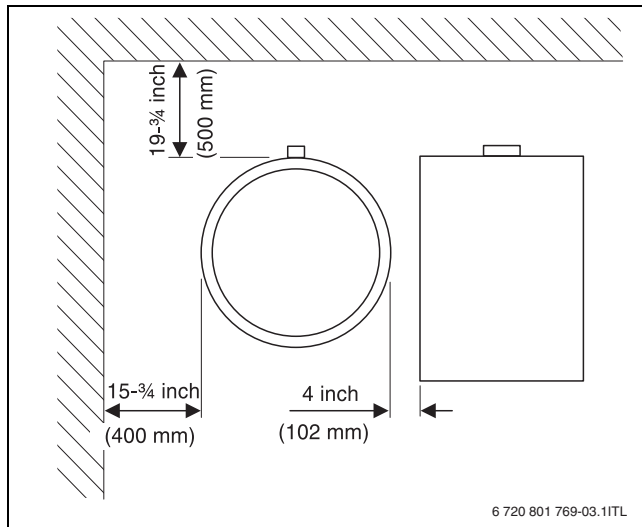


Fig. 6 Recommended minimum wall clearances

5.1.3 Positioning the tank

- ▶ Unpack the tank by removing the wrap, wooden boards and foam pad on the top.
- ▶ Lay the foam pad on the floor to serve as a mat.

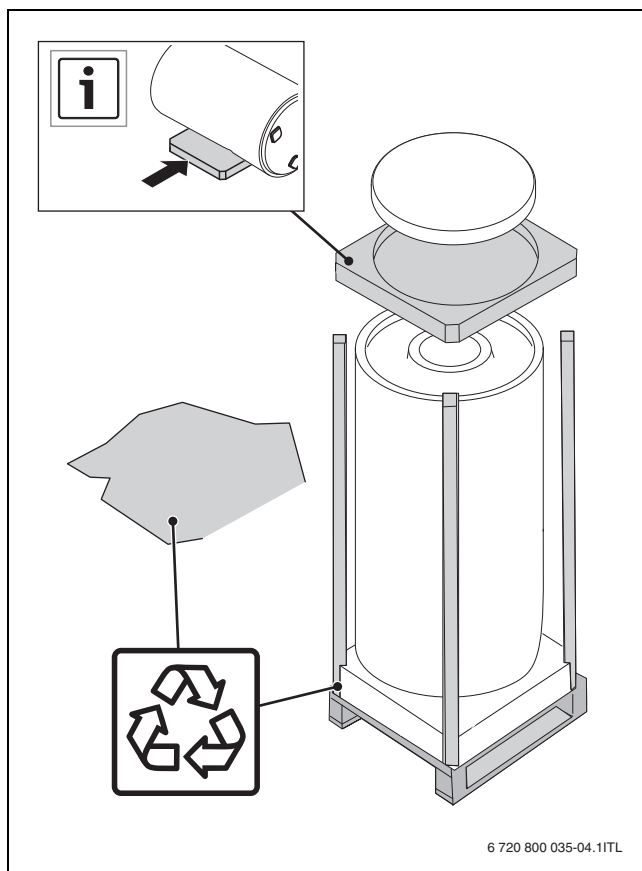


Fig. 7 Unpacking the DHW tank

- ▶ Carefully place the DHW tank on the cover pad [1].
- ▶ Cut out the raised sections in the EPS bottom pad [2].

- ▶ Unscrew the adjustable feet [3].

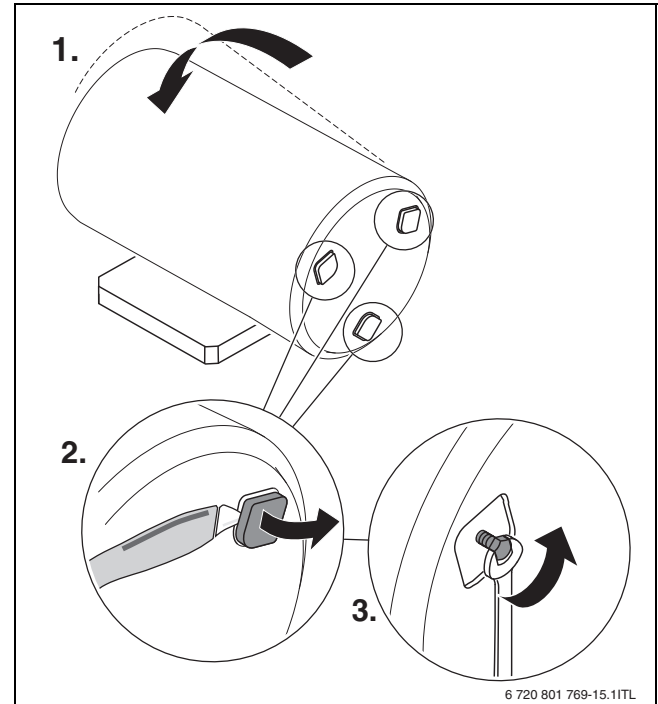


Fig. 8 Lay down the DHW tank and expose the adjustable feet

- ▶ Position the DHW tank on a level floor with adequate load-bearing capacity.

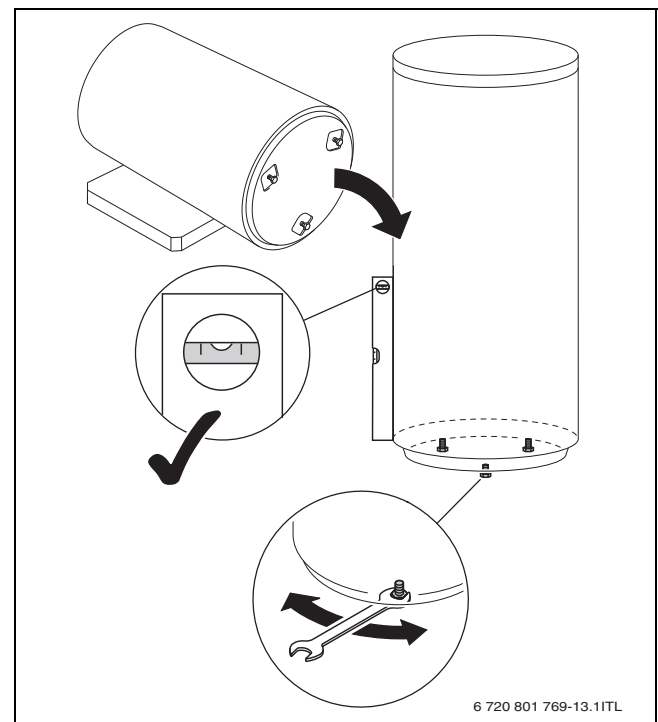


Fig. 9 Positioning the tank

- ▶ Maintain minimum wall clearances.
- ▶ Adjust the adjustable feet so that the DHW tank is vertical.

► Remove the caps from the connections.

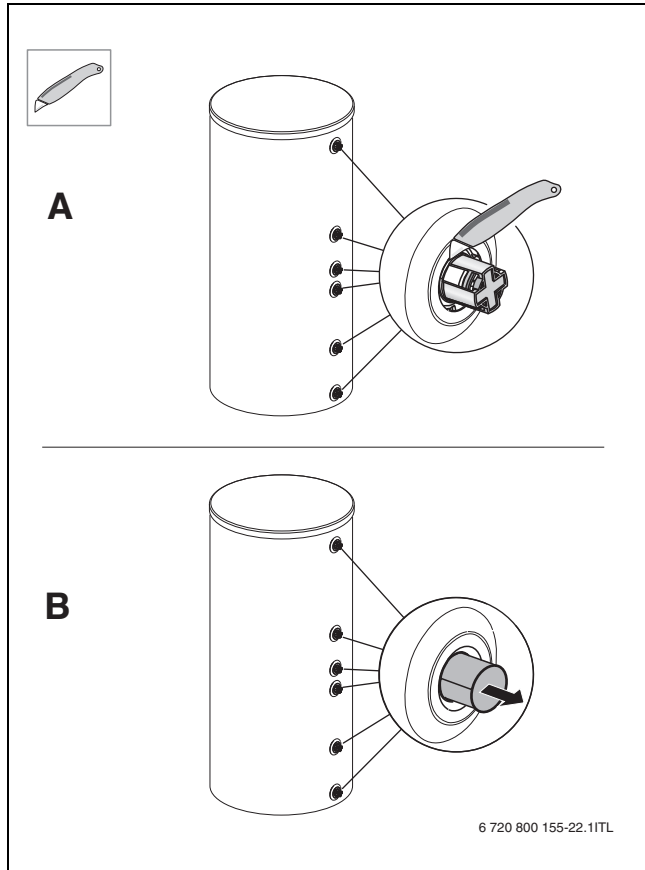


Fig. 10 Remove the caps

► Use Teflon tape or Teflon cord to seal the connections. Do not use hemp to seal the connections.

5.2 Water connections

DANGER: Risk of injury from contaminated water!
Work carried out without due care for cleanliness contaminates the drinking water.

- Install in accordance with national standards and guidelines.

WARNING: Risk of fire from soldering and brazing!
► Take appropriate safety measures when soldering and brazing as the thermal insulation is flammable. For example, cover up the thermal insulation.

- Check tank jacket for damage after completing work.

NOTICE: Water damage!
► Connect the drain to the bottom tank connection prior to filling the tank.

- Seal off all unused tank connections.



NOTICE: Risk of corrosion from damage to the enamel coating!
► Attach connections to the DHW tank only "hand-tight".

5.2.1 Connecting the tank on the water side

System example with all recommended valves and shut-offs (→ Fig. 11).

- When sizing the heating system expansion vessel, take the volume of the heating coil in the tank into consideration.
- Route the connection cables for the tank temperature sensors at the back of the tank through the insulation to the heating appliance or controller.
- Install piping runs so that natural circulation is prevented. If necessary, install check valves.
- Install connection cables free of stress.
- Attach piping to the tank connections on-site.
- Check all connections for leaks.

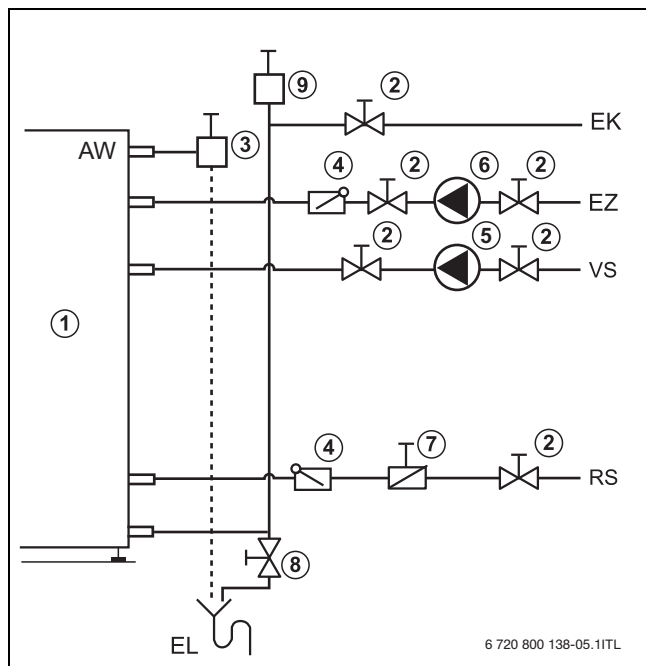


Fig. 11 Installation (illustrative)

- [1] Storage tank
- [2] Shutoff valve
- [3] P&T safety valve (combined with hot water outlet)
- [4] Check valve
- [5] Tank primary pump
- [6] Recirculation pump (optional)
- [7] Air eliminator (in main supply)
- [8] Drain valve
- [9] Expansion vessel
- [AW] DHW outlet
- [EK] Cold water inlet
- [EL] Tank drain
- [EZ] Recirculation inlet
- [RS] DHW tank return
- [VS] DHW tank supply

5.2.2 Installing a T&P safety valve (on-site)

- ▶ Install a listed T&P safety valve that is approved for drinking water ($\geq \frac{3}{4}$ ") in the DHW outlet.
- ▶ This DHW tank must be installed with a new T&P safety valve.
- ▶ The T&P valve must be sized no smaller than the rated tank capacity.
- ▶ Observe the safety valve installation instructions.
- ▶ T&P discharge pipe:
 - The blow-off line must be at least equal to the outlet cross-section of the safety valve.
 - Route the blow-off line from the T&P valve directly to an adequate drain (maximum length 6 ft (2 m) with no more than two 90°-elbows).
 - The discharge line must terminate at an adequate drain in order to prevent property damage from spillage.
 - Check that the T&P safety valve operates properly at least once annually.
- ▶ Never plug the blow-off line. During heating, water may be discharged for operational reasons at any time.

5.3 Install a tank water temperature sensor (accessory) or aquastat (accessory).



DANGER: Risk of fatal injury from electric shock.

- ▶ Isolate the system electrically prior to commencing work on the system.



Connect the electrical power and set the temperature on the DHW temperature sensor or the aquastat as shown in the respective aquastat or control manufacturer's instructions.

Install a tank temperature sensor or an aquastat on the DHW tank to measure and monitor the hot water temperature.

Installing the DHW temperature sensor

- ▶ Take the tank temperature sensor from the scope of delivery of the control panel (accessories).
- ▶ Insert the sensor set until it bottoms out inside the sensor well [5]. This automatically pushes back the plastic spiral [3] that holds the sensor set together.

The compensating spring [4] ensures contact between the sensor well and sensor surfaces, and a reliable temperature reading.



Always ensure that the full length of the sensor surface is in contact with the sensor well.

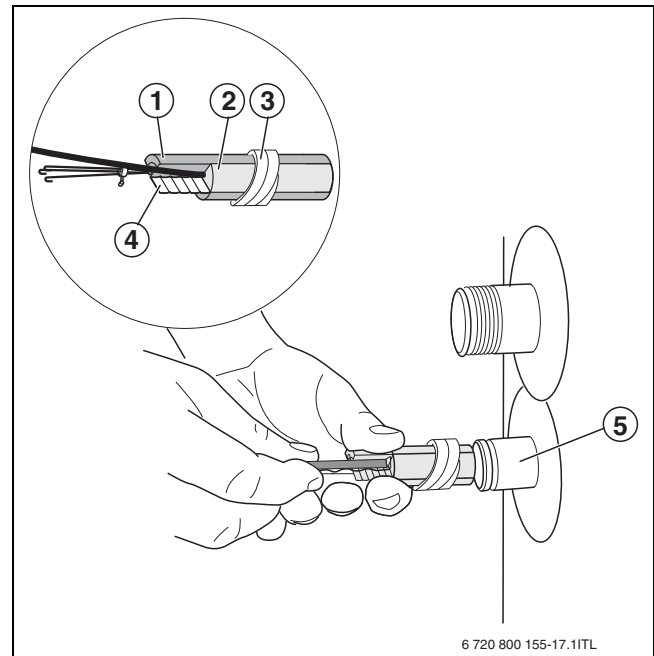


Fig. 12 Installing the DHW temperature sensor

- [1] Quarter-circle spacer
- [2] Temperature sensor
- [3] Plastic spiral
- [4] Compensating spring
- [5] Sensor Well

- ▶ Push sensor retaining clip [1] from the side onto sensor well [2].
- ▶ Route the sensor lead to the boiler or control panel and ensure the cable is not strained. The piping may not touch any hot parts of the boiler.
- ▶ When sensors are used without a compensating spring, fill the cavity in the sensor well with a sufficient amount of thermal grease.

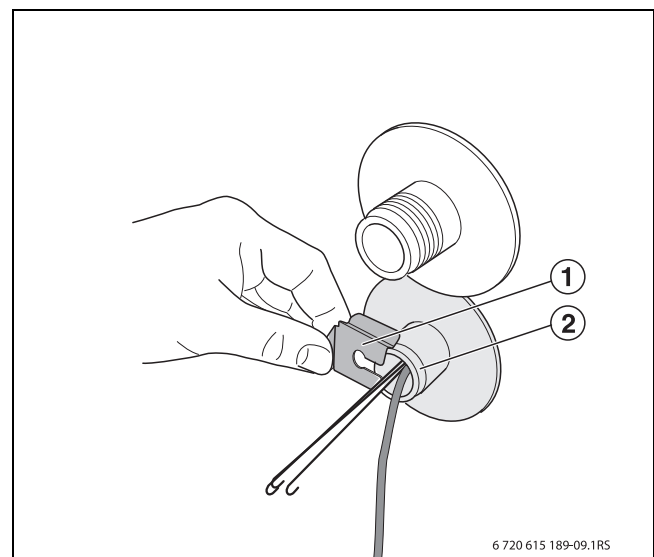


Fig. 13 Installing the sensor retainer

- [1] Sensor retainer
- [2] Sensor Well

Installing the aquastat

- ▶ Remove cover from the aquastat. To do so, undo the screw on the top.
- ▶ If necessary, remove any unnecessary attachments. Screw on the holder [3] to the Aquastat [2] using two sheet metal screws [1].

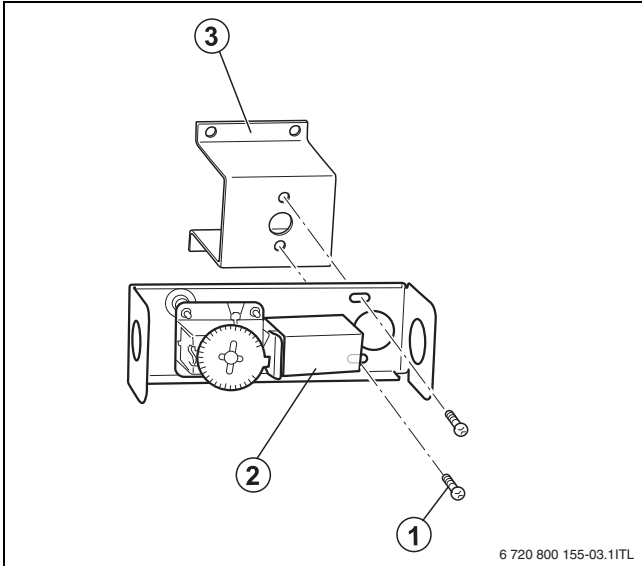


Fig. 14 Screw the holder onto the Aquastat

- [1] Self-tapping screws
- [2] Aquastat
- [3] Holder

- ▶ Feed the temperature sensor [4] with the compensating spring [3] into the sensor well [5].
- ▶ Attach Aquastat [6] to tank by means of 4 sheet metal screws [1].
- ▶ Replace the cover of the aquastat [2].

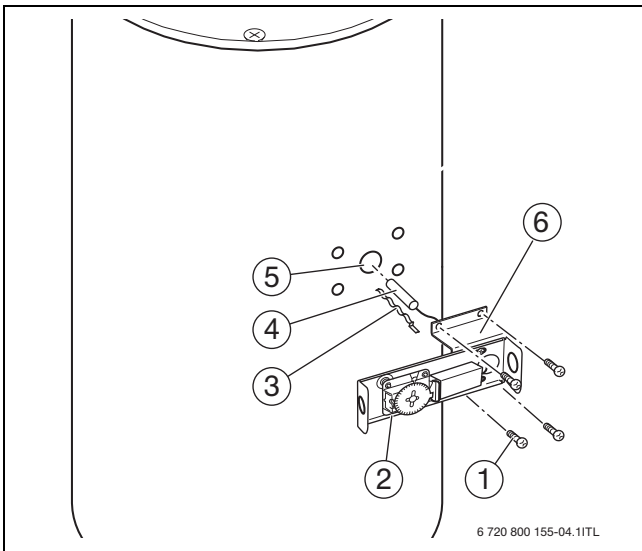


Fig. 15 Installing the aquastat

- [1] Self-tapping screws
- [2] Aquastat
- [3] Compensating spring
- [4] Temperature sensor
- [5] Sensor Well
- [6] Holder

Installing B-kit components

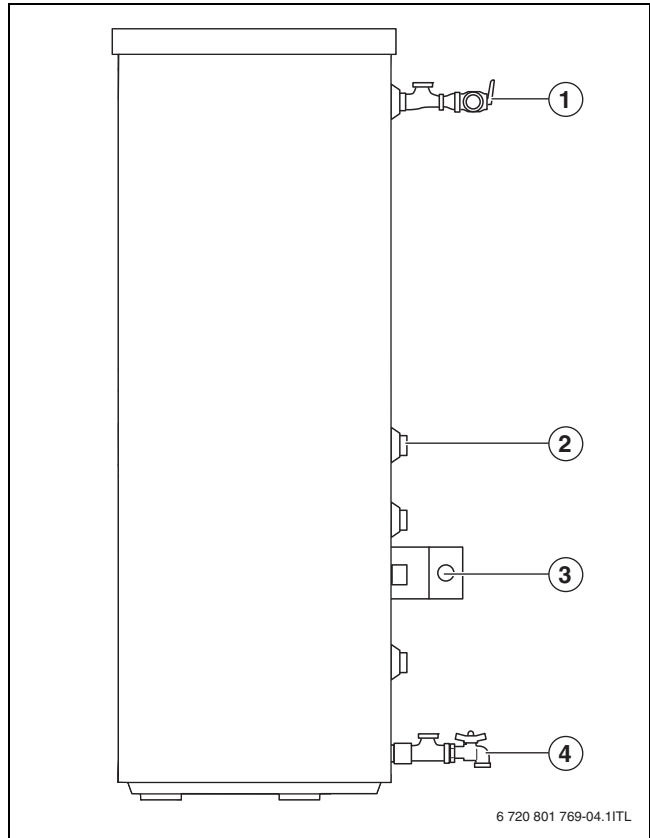


Fig. 16 Installing B-kit components

- [1] Tee 1" x 1" x 3/4" (2x) with P&T safety valve
- [2] Cap 3/4" for the recirculation connection
- [3] Holder with Aquastat
- [4] Tee with fill and drain valve

6 Start-up procedure



NOTICE: Risk of equipment damage from excess pressure!
Excessive pressure can result in tension cracks in the enamel coating.

- ▶ Never plug the blow-off line of the T&P safety valve.

6.1 Commissioning the DHW tank

Have the installer of the heating system or a qualified contractor commission the equipment.

- ▶ Commission the boiler and additional accessories in accordance with manufacturer's instructions or the appropriate installation and operating instructions.



Use only drinking water to check the DHW tank for leaks. On the DHW side, the test pressure must not exceed 150 psi (10,3 bar) gauge pressure.

- ▶ To bleed air from the DHW tank, open the highest tap/valve.
- ▶ To fill the tank, open the shut-off valve for the cold water inlet.
- ▶ Flush the tank and piping thoroughly prior to commissioning.
- ▶ Before heating up, verify that the boiler, tank and pipework are filled with water. Open the air bleeder valve for this purpose.
- ▶ Check all connections, piping and the inspection port for leaks.

7 Shutdown



NOTICE: Risk of tank damage!
Residual moisture can result in corrosion.

- ▶ Thoroughly dry out the inside (e. g. by means of hot air) and leave the cleanout cover open.

7.1 Shutting down the tank

- ▶ Switch off the temperature controller at the control panel, shut of the heating system emergency shutoff switch, or disengage the heating system circuit breaker.



WARNING: Risk of scalding from hot water!
▶ Let the tank cool down sufficiently.

- ▶ Close the cold water inlet shutoff valve.
- ▶ Drain the DHW tank via the drain valve by opening the highest faucet.
- ▶ Close the shut-off valves to and from the boiler.
- ▶ Depressurize the heat exchanger.
- ▶ Drain and blow out the heat exchanger.
- ▶ To prevent corrosion, dry out the inner space and keep the inspection port covers open.

7.2 Shutting down the heating system when there is a risk of frost

- ▶ Shut down the heating system and the DHW tank as shown in Chapter 7.1.



Fully drain the tank – even the lowest section of the tank and the heating coil.

8 Environmental protection/disposal

Environmental protection is one of the fundamental company policies of the Bosch Group. We regard quality of performance, economy and environmental protection as equal objectives.

Environmental protection laws and regulations are strictly adhered to. To protect the environment, we use the best possible technology and materials taking into account economic points of view.

Packaging

For the packaging, we participate in the country-specific recycling systems, which guarantee optimal recycling. All packaging materials used are environmentally-friendly and recyclable.

Old electrical and electronic appliances



Electronic or electrical or electronic equipment that can no longer be used must be collected separately and properly recycled (European Directive on Waste: Electrical and Electronic Equipment).



Use the return and collection systems specified by federal law to dispose of electrical and electronic waste.

9 Maintenance

- ▶ Allow the DHW tank to cool down sufficiently before performing any maintenance.
- ▶ Remedy all faults immediately.
- ▶ Use original spare parts only!
- ▶ The tank must be inspected annually and maintained as required.
- ▶ Check the T&P safety valve annually.

9.1 Preparing the DHW tank for cleaning

The SU80/5 and SU100/5 tanks are cleaned by means of the cleanout on the side. The SU54/5 tank is cleaned by means of the cleanout at the top.



WARNING: Risk of scalding from hot water!
▶ Prior to cleaning, allow the DHW tank to cool down sufficiently.

- ▶ Disconnect electrical power from the heating system.
- ▶ Drain the DHW tank. To do so, close the shut-off valve for cold water inlet and the open drain valve. To vent the system, open the air vent valve or the highest faucet.
- ▶ PS jacket cover (SU54/5) (→ Fig. 17, page 14, [1]) or handhole cover (SU80/5, SU100/5) (→ Fig. 18, page 14, [1]) of the DHW tank.
- ▶ Loosen the hex bolts [2] in the cleanout cover [3].

- ▶ Remove the handhole cover [3], magnesium anode [5] and handhole cover seal [4].

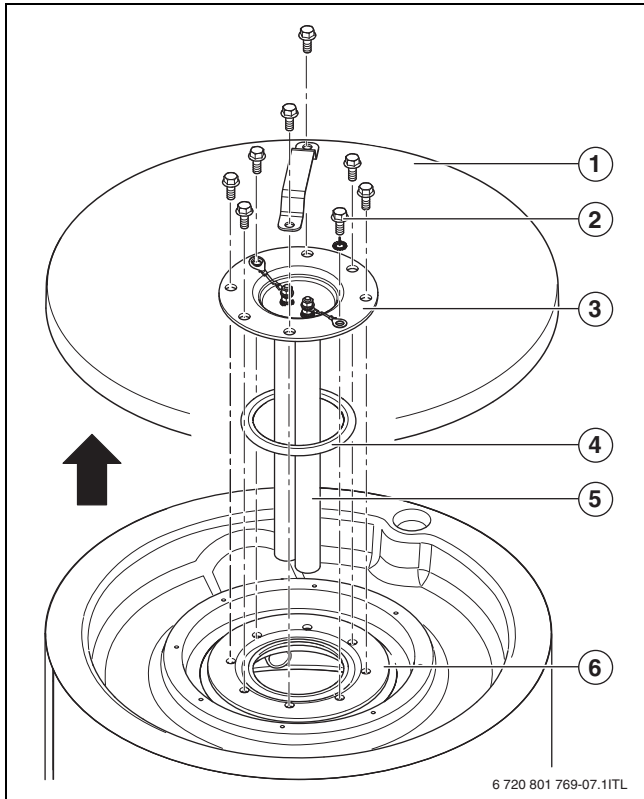


Fig. 17 Removing the cleanout cover SU54/5

- [1] PS top cover
- [2] Hex bolts
- [3] Handhole cover
- [4] Handhole cover gasket
- [5] Magnesium anodes
- [6] Inspection port

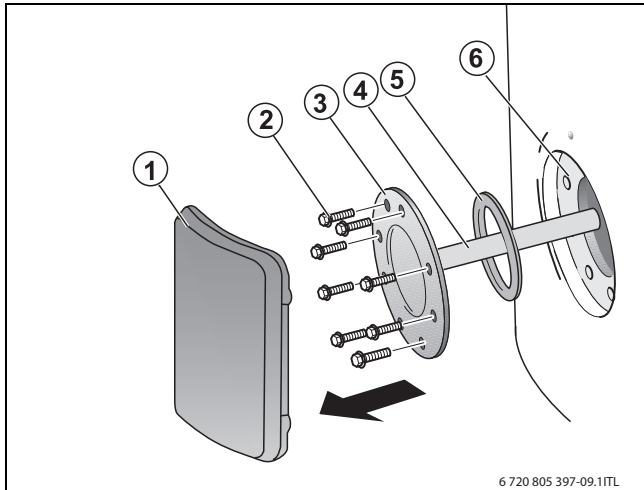


Fig. 18 Removing the cleanout cover SU80/5, SU100/5

- [1] Cleanout cover shroud
- [2] Hex bolts
- [3] Handhole cover
- [4] Magnesium anode
- [5] Handhole cover gasket
- [6] Inspection port

Buderus

9.2 Descaling/cleaning the tank

- ▶ Check the DHW tank interior for scale deposits (calcium).



NOTICE: Risk of tank damage due to damaged enamel.

- ▶ Never use hard objects or tools with sharp edges to clean the interior of the tank

Should limescale be discovered inside the DHW tank, proceed as follows:

- ▶ Hose down the inside of the DHW tank with a “high-pressure” (approx. 58 – 72.5 psi (4 - 5 bar) gauge pressure) cold water jet. You can increase the cleaning effect by heating up the heat exchanger in the drained tank before cleaning. The thermal shock effect releases scale deposits more easily from the coil-type heat exchanger.
- ▶ Use a wet & dry vacuum cleaner with plastic suction hose to remove the residues.

Should thick limescale be discovered inside the DHW tank, it can be removed chemically. We recommend that you have a qualified contractor carry out the chemical cleaning operation.

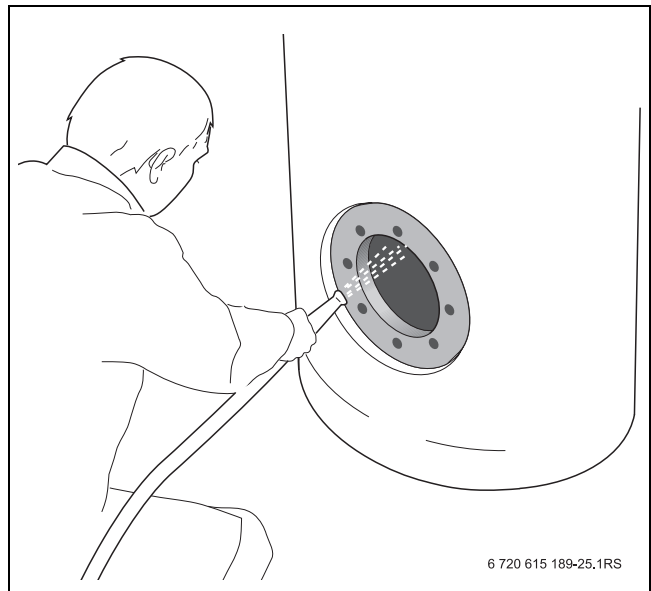


Fig. 19 Hose down the inside of the tank as shown in the example SU80/5, SU100/5

9.3 Checking the magnesium anode



If the magnesium anode is not serviced properly, the warranty is void. Annual service records must be kept in a safe location and submitted together with the original purchase receipt in the event of a warranty claim.

The magnesium anode protects the DHW tank from corrosion. Check the magnesium anode annually to determine whether it needs to be changed.

The surface of the magnesium anode must be free of deposits. Exchange the magnesium anode when deposits collect, the surface is enlarged from deposits, or the diameter is less than 5/8" (15 mm).

Certain installations may require more frequent replacement of the magnesium anode rod:

- Recirculation connection
- Poor water quality
- Galvanic/electrolytic corrosion
- High flow rate

In the event of poor water quality it is recommended that a water treatment professional be consulted for water treatment options.



Never bring the magnesium anode surface in contact with oil or grease.
▶ Keep everything clean.

9.3.1 Check the top magnesium anode (SU80/5, SU100/5)

- ▶ Remove PS top cover if not already removed.
- ▶ Unscrew the magnesium anodes.
- ▶ Check the magnesium anodes for decomposition.
- ▶ If the diameter has decreased to about 5/8" (15 mm), exchange the magnesium anode.
- ▶ Screw the magnesium anodes back into the sleeve.

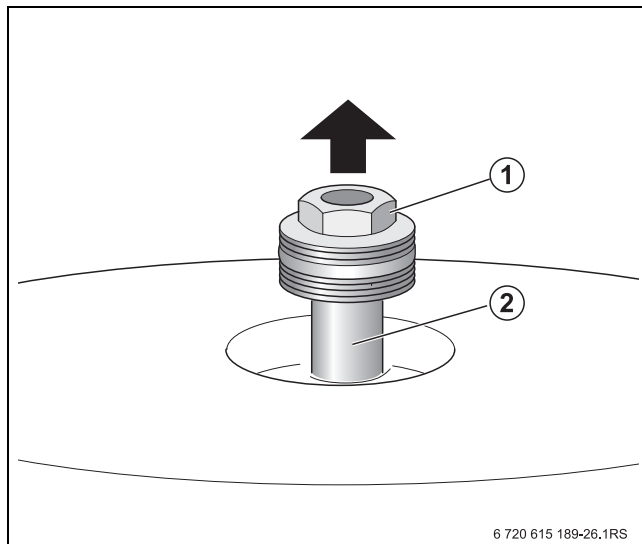


Fig. 20 Check the top magnesium anode (SU80/5, SU100/5)

- [1] Hex bolt
- [2] Magnesium anode

9.3.2 Check the top magnesium anode (SU54/5)

- ▶ Remove the cleanout cover (→ Fig. 17, page 14), if not yet removed.
- ▶ Check the magnesium anodes.
- ▶ If the diameter has decreased to about 5/8" (15 mm), exchange the magnesium anode.
- ▶ Unscrew the nut M8 [9] to release the eyelet of the grounding cable connecting lead [8].
- ▶ Unscrew the M8 nut [7].
- ▶ Remove the handhole cover [3] from the magnesium anode [1].
- ▶ Install the new magnesium anode with the provided small parts (→ Fig. 21).

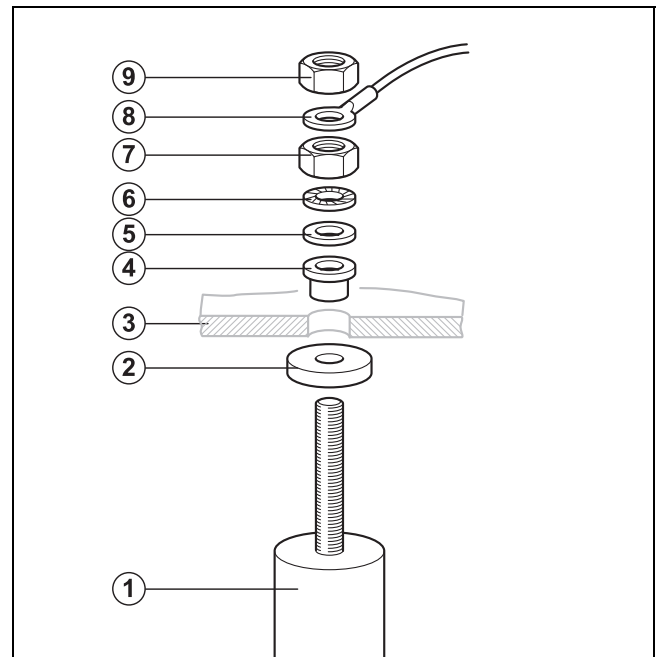


Fig. 21 Replacing the magnesium anode

- [1] Magnesium anode
- [2] Gasket
- [3] Handhole cover
- [4] Insulating sleeve
- [5] U-washer
- [6] Serrated washer
- [7] M8 Nut
- [8] Eyelet of the grounding cable connecting lead
- [9] M8 Nut

9.3.3 Check the side magnesium anode (SU80/5, SU100/5)

- ▶ Empty the tank as described in chapter 9.1, page 13.
- ▶ Remove the cleanout cover (→ Fig. 17, page 14), if not yet removed.
- ▶ Check the magnesium anodes.
- ▶ If the diameter has decreased to about 1/2" (15 mm), exchange the magnesium anode.
- ▶ Unscrew the nut M8 [9] to release the eyelet of the grounding cable connecting lead [8].
- ▶ Unscrew the M8 nut [7].
- ▶ Remove the handhole cover [3] from the magnesium anode [1].
- ▶ Install the new magnesium anode with the provided small parts (→ Fig. 21).

9.4 Startup after maintenance



NOTICE: Risk of tank damage from a faulty gasket!

- ▶ To prevent the DHW tank from leaking, install a new cleanout cover gasket upon completion of cleaning and maintenance.

- ▶ Put the cleanout cover [4] back in place (top or side) together with the new gasket [2].
- ▶ Thread hex bolts [5] into cleanout cover [4] "hand-tight".
- ▶ Then use a torque wrench to tighten the hex bolts to 18-22 lbf-ft (25 - 30 Nm).
- ▶ Fill the DHW tank and restart the heating system.
- ▶ Check all connections and the inspection port for leaks.
- ▶ Replace the cleanout cover shroud.
- ▶ Reposition the PS top cover on the tank.

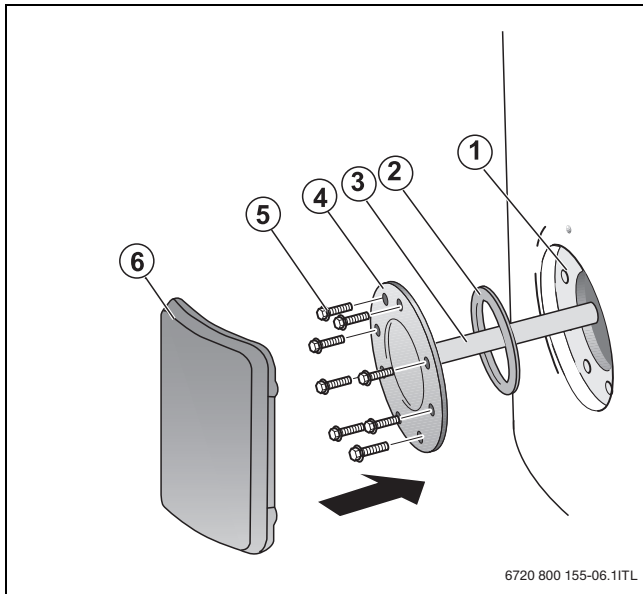
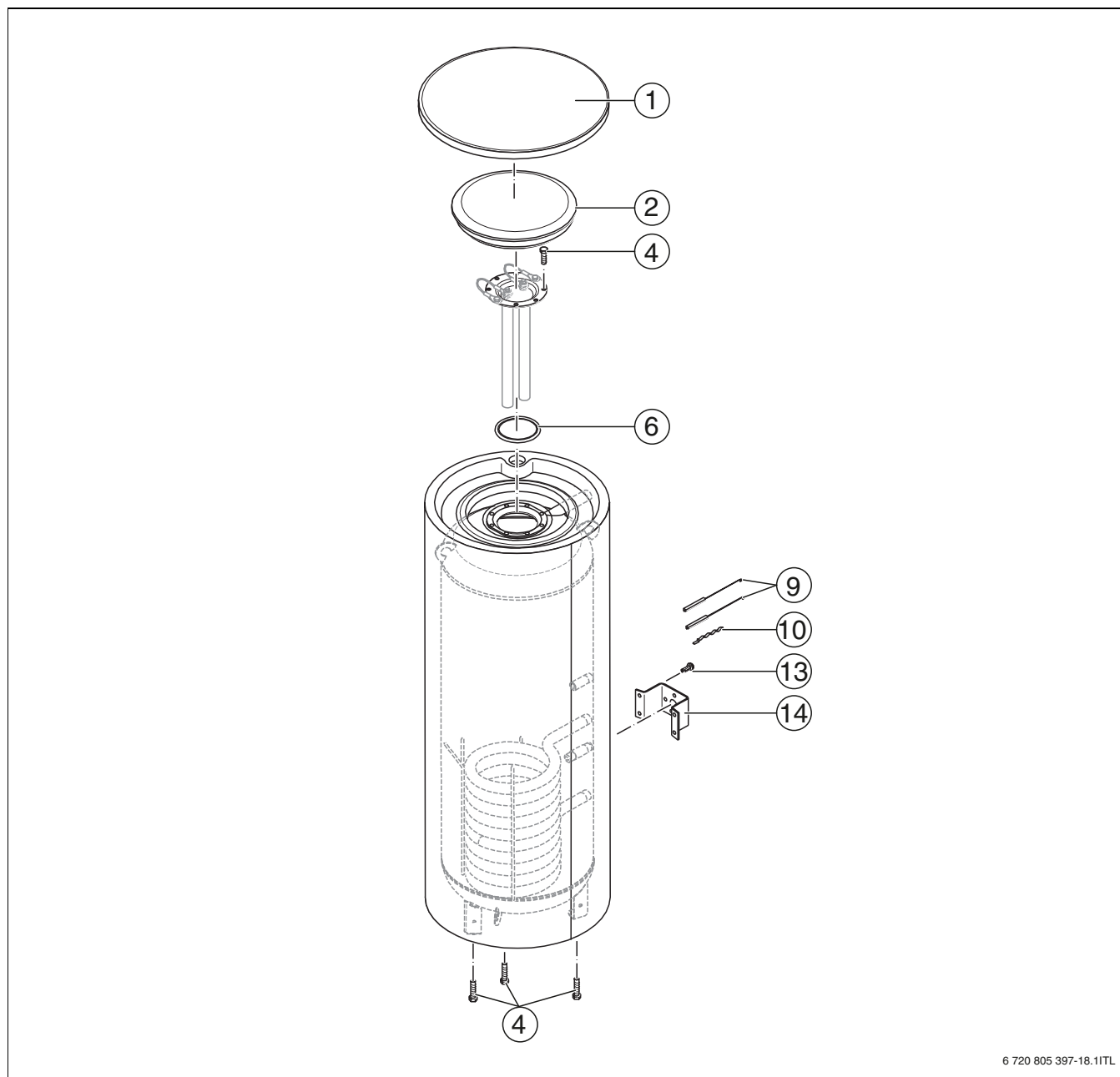


Fig. 22 Reassembling the inspection port

- [1] Inspection port
- [2] Handhole cover gasket
- [3] Magnesium anode
- [4] Handhole cover
- [5] Hex bolts
- [6] Cleanout cover shroud

10 Spare Parts



6 720 805 397-18.11TL

Fig. 23 Spare parts for SU54/5

Item	Article description	Product No.
1	Cover D550 lid, black	8 718 542 319 0
2	Plug, EPS upper part D370	8 718 541 763 0
4	Self-tapping hex screw M10x25 (8x)	7 747 005 744
6	O-ring 120.02x6.99-N	8 718 572 538 0
9	Spacer, 1/4-circle (1x)	8 718 585 547
10	Compensator spring (5x)	8 718 585 143
13	Self-tapping screw St 4.2x13 (10x)	7 747 027 696
14	Retaining plate for the aquastat	7 747 028 761 0
	Logo Buderus	8 718 541 573 0

Table 7

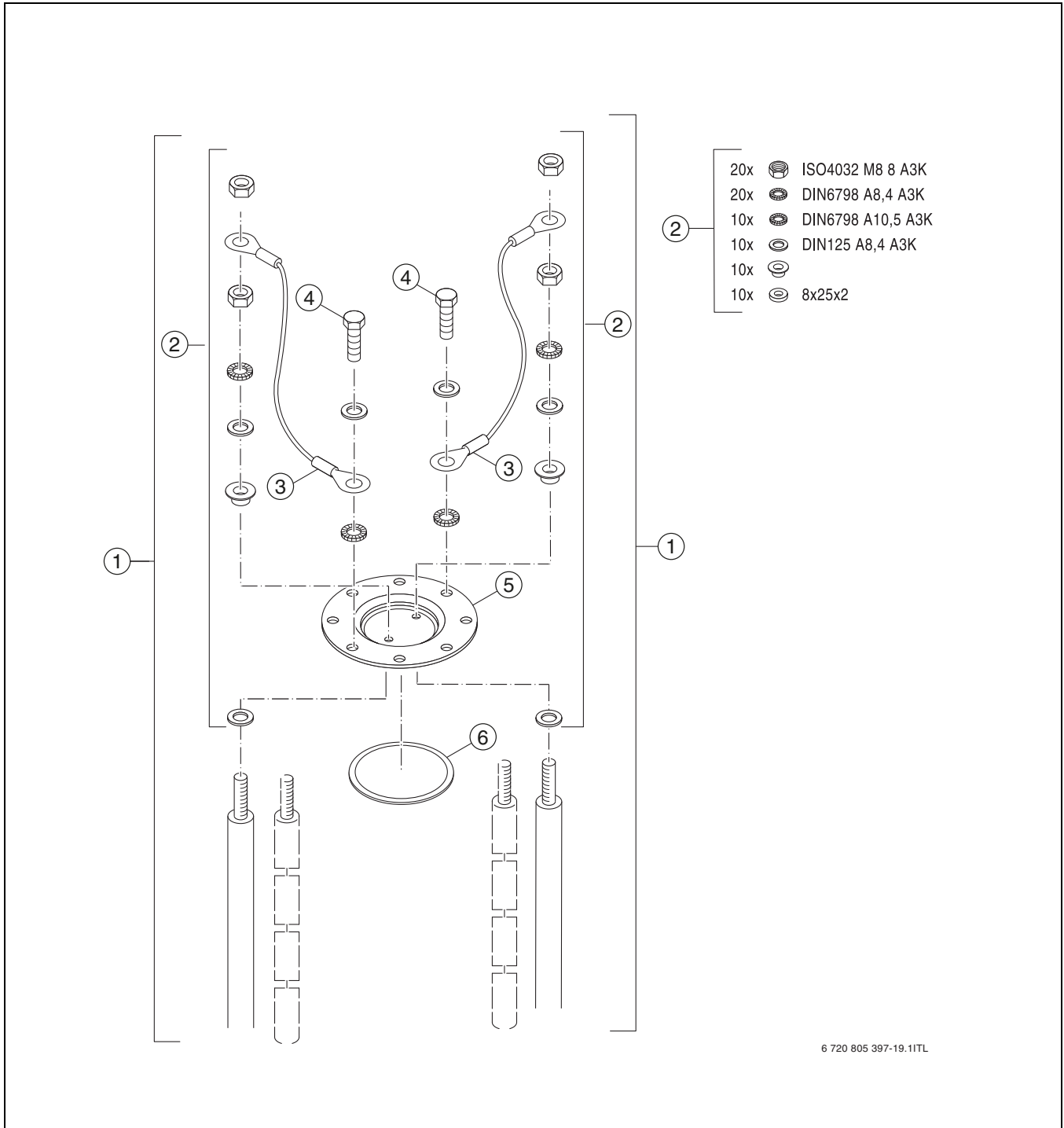
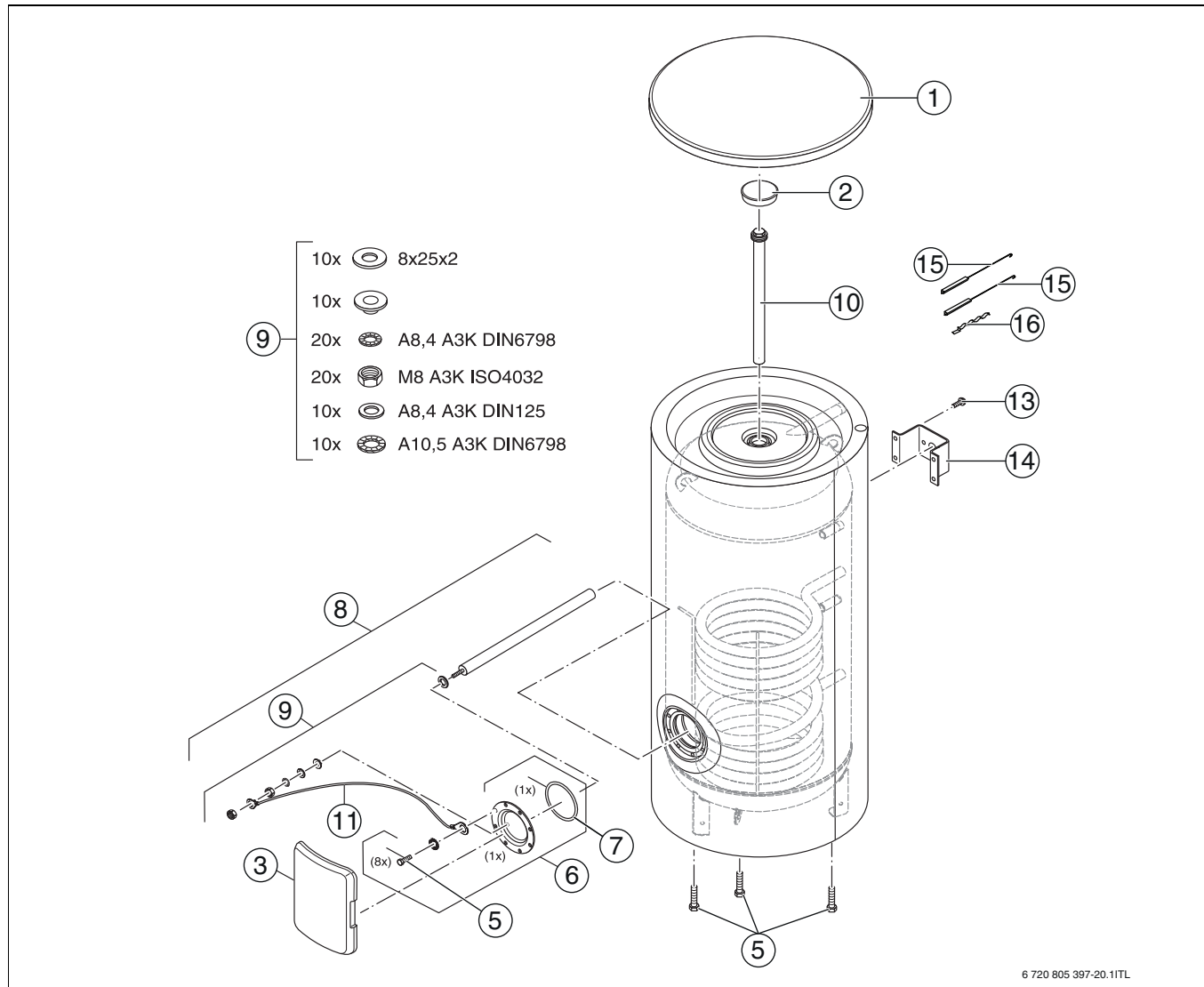


Fig. 24 Spare parts for SU54/5

Item	Article description	Product No.
1	Multi-link anode, 3 links 558/528mm M8	63020947
1	Anode D33x400mm (1x)	8 718 571 568 0
2	Anode mounting kit (10x)	5264278
3	Anode connecting lead (insulated)	63037168
4	Self-tapping hex screw M10x25 (8x)	7 747 005 744
5	Cleanout cover DN120 SA5, thermoplastic	8 718 543 791 0
6	O-ring 120.02x6.99-N	8 718 572 538 0

Table 8



6 720 805 397-20.1TL

Fig. 25 Spare parts for SU80/5, SU100/5

Item	Article description	Product No.
1	Cover D670 lid, black	8 718 541 369 0
2	Plug, EPS upper part D672.5	8 718 541 767 0
3	Cleanout gasket D670, black	8 718 542 063 0
5	Self-tapping hex screw M10x25 (8x)	7 747 005 744
6	Cleanout cover DN120 for anode	7 747 004 739
7	O-ring 120.02x6.99-N	8 718 572 538 0
8	Anode D33x400 mm	8 718 571 568 0
9	Anode mounting kit (10x)	5264278
10	Anode G1 1/2x575, without electrical insulation D=33 (80 gal)	8 718 542 779 0
10	Anode G1 1/2x750, without electrical insulation D=33 (100 gal)	8 718 542 778 0
11	Anode connecting lead (insulated)	63037168
13	Self-tapping screw St 4.2x13 (10x)	7 747 027 696
14	Retaining plate for the aquastat	7 747 028 761 0
15	Spacer, 1/4-circle (1x)	8 718 585 547
16	Compensator spring (5x)	8 718 585 143
	Logo Buderus	8 718 541 573 0

Table 9

Índice de contenidos

1	Indicaciones de seguridad y explicación de los símbolos ..	20
1.1	Explicación de los símbolos	20
1.2	Indicaciones de seguridad	21
1.3	Instrucción del usuario	22
2	Descripción del producto	22
2.1	Volumen de suministro	22
2.2	Uso conforme al empleo previsto	22
2.3	Descripción del producto	23
2.4	Placa de características	23
2.5	Curva de pérdida de presión intercambiador de calor ..	23
2.6	Datos técnicos	24
2.7	Dimensiones constructivas y de conexión	25
3	Normas, reglamentos y directrices	26
4	Transporte	26
5	Montaje	26
5.1	Instalación	26
5.1.1	Requisitos del lugar de emplazamiento	26
5.1.2	Distancia a la pared	27
5.1.3	Colocar el acumulador de agua caliente	27
5.2	Conexión hidráulica	28
5.2.1	Conexión hidráulica del acumulador de agua caliente ..	28
5.2.2	Montar válvula de seguridad de presión y de temperatura (de la instalación)	29
5.3	Montar sonda de temperatura del acumulador (accesorio) o acuastato (accesorio)	29
6	Puesta en marcha	31
6.1	Puesta en marcha del acumulador de agua caliente ...	31
7	Fuera de servicio	31
7.1	Poner el acumulador de agua caliente fuera de servicio	31
7.2	Desconectar la instalación de calefacción en caso de riesgo de heladas	31
8	Protección del medio ambiente/reciclaje	31

9	Mantenimiento	32
9.1	Preparar el acumulador de agua caliente para la limpieza	32
9.2	Descalcificación/limpieza del acumulador de agua caliente	33
9.3	Comprobar el ánodo de magnesio	34
9.3.1	Comprobar el ánodo de magnesio superior (SU80/5, SU100/5)	34
9.3.2	Comprobar el ánodo de magnesio superior (SU54/5) ..	34
9.3.3	Comprobar el ánodo de magnesio lateral (SU80/5, SU100/5)	35
9.4	Puesta en marcha tras el mantenimiento	35
10	Piezas de repuesto	36

1 Indicaciones de seguridad y explicación de los símbolos

1.1 Explicación de los símbolos

Advertencias



Las advertencias están marcadas en el texto con un triángulo. Adicionalmente las palabras de señalización indican el tipo y la gravedad de las consecuencias que conlleva la inobservancia de las medidas de seguridad indicadas para evitar riesgos.

Las siguientes palabras de señalización están definidas y pueden utilizarse en el presente documento:

- **AVISO** advierte sobre la posibilidad de que se produzcan daños materiales.
- **ATENCIÓN** advierte sobre la posibilidad de que se produzcan daños personales de leves a moderados.
- **ADVERTENCIA** advierte sobre la posibilidad de que se produzcan daños personales de graves a mortales.
- **PELIGRO** advierte sobre daños personales de graves a mortales.

Información importante



La información importante que no conlleve riesgos personales o materiales se indicará con el símbolo que se muestra a continuación.

Otros símbolos

Símbolo	Significado
▶	Procedimiento
→	Referencia cruzada a otro punto del documento
•	Enumeración/punto de la lista
–	Enumeración/punto de la lista (2.º nivel)

Tab. 1

1.2 Indicaciones de seguridad

Antes de la instalación, lea todas las indicaciones. Realizar los pasos en el orden indicado. Al menos una vez al año, un técnico debe comprobar el acumulador de agua caliente. El incumplimiento de estas indicaciones puede causar daños personales graves e incluso mortales, así como daños materiales graves.

Montaje y mantenimiento

► Peligro de quemaduras por trabajos de soldadura.

Tomar las medidas de seguridad adecuadas durante todos los trabajos de soldadura, como p. ej., recubrir el aislamiento térmico, ya que éste es inflamable.

- Asegurarse de que únicamente una empresa autorizada instala o realiza el mantenimiento del acumulador de agua caliente.
- Utilizar material de instalación que sea lo suficientemente resistente a la temperatura.

Prohibición:

Está totalmente prohibida la conexión del potencióstato de un ánodo de corriente externa al ánodo de magnesio incorporado en un acumulador. Se estropeará el acumulador. Se pierde el derecho a garantía.

Instalación y puesta en marcha

- El montaje del acumulador de agua caliente lo debe realizar un instalador autorizado.
- La conexión eléctrica debe realizarla únicamente un instalador eléctrico. Seguir el esquema de conexiones.
- No montar este aparato en estancias húmedas (p. ej., baños, saunas).

Función

- Para que se garantice un funcionamiento correcto, es necesario seguir estas instrucciones de instalación y mantenimiento.
- No cerrar el conducto de vaciado de la válvula de seguridad T&D. Por razones de seguridad, puede haber escapes de agua durante el calentamiento.

Peligro por corriente eléctrica

- Asegurarse de que solo los técnicos autorizados llevan a cabo los trabajos eléctricos.
- Antes de realizar trabajos eléctricos, desconectar la tensión de red en todos los polos de la transmisión y asegurarla contra reconexión involuntaria.
- Comprobar que la instalación está sin tensión.

Peligro de quemaduras en las tomas de agua caliente

- Durante el funcionamiento del acumulador de agua caliente se pueden alcanzar temperaturas superiores a los 122 °F (50 °C). Para limitar la temperatura de la toma, instalar una válvula térmica mezcladora de agua caliente.
- El agua caliente utilizada para lavar la colada, la loza y para otros fines de limpieza puede provocar quemaduras y lesiones permanentes.
- Existe mayor riesgo de lesiones permanentes con agua caliente para los niños, los ancianos y las personas débiles o con capacidades físicas mermadas. No dejar a estas personas sin vigilancia en la bañera o en la ducha en ningún caso. No permitir que los niños pequeños manipulen solos un grifo de agua caliente o entren en una bañera.
- Si en un edificio existen personas de los grupos anteriormente mencionados que manipulen grifos de agua caliente o, según la legislación nacional o las prescripciones locales, es obligatorio mantener temperaturas de agua caliente óptimas para el consumo, tomar las siguientes precauciones:
 - Utilizar el ajuste de temperatura más bajo posible.

- Instalar una protección contra quemaduras, p. ej., una válvula mezcladora automática, en el grifo de agua caliente o en el calentador de agua. Seleccionar e instalar la válvula mezcladora automática de conformidad con las recomendaciones e indicaciones del fabricante de la válvula.
- El agua que sale a través de las válvulas de vaciado puede estar extremadamente caliente. Para evitar daños:
 - Comprobar la estanqueidad de todas las conexiones.
 - Orientar las salidas de agua alejadas de las personas.
- Son obligatorias las medidas de protección contra temperaturas elevadas y valores de presión. Es indispensable instalar una válvula de temperatura y una válvula de seguridad de presión.

En la siguiente vista general se presenta la relación entre la temperatura del agua y el tiempo hasta la formación de quemaduras. Se puede tomar como base para determinar las temperaturas de agua más seguras para su uso.

Temperatura	Tiempo hasta quemaduras graves
120 °F (48 °C)	más de 5 minutos
125 °F (51 °C)	de 1,5 a 2 minutos
130 °F (54 °C)	aprox. 30 segundos
135 °F (57 °C)	aprox. 10 segundos
140 °F (60 °C)	menos de 5 segundos
145 °F (62 °C)	menos de 3 segundos
150 °F (65 °C)	aprox. 1,5 segundos
155 °F (68 °C)	aprox. 1 segundo

Tab. 2 Relación aproximada tiempo-temperatura hasta la formación de quemaduras ¹⁾

1) Fuente: Moritz, A.R. y Henriques, F.C., Jr. (1947). Estudio de lesiones térmicas. II. El significado relativo de tiempo y temperatura de superficie como causa de quemaduras cutáneas, American Journal of Pathology, 23, 695-720.

Para la conservación de la protección contra la corrosión y para el cumplimiento de las reglas de seguridad eléctrica, tener en cuenta los siguientes puntos:

- En las instalaciones de calentamiento de agua potable con tuberías de plástico, utilizar siempre racores de conexión metálicos.
- Utilizar exclusivamente accesorios originales.
- Una vez instalado completamente el acumulador, realice una comprobación del conductor de seguridad (incluyendo los racores de conexión metálicos).

Mantenimiento

Recomendaciones para los clientes:

- Formalizar un contrato de inspección y mantenimiento con una empresa autorizada. Inspeccionar el acumulador de agua caliente una vez al año y, en caso necesario, realizar las tareas de mantenimiento. Trabajos de servicio según necesidad.
- Utilizar únicamente piezas de repuesto originales.

Inundación

- Después de un desbordamiento, no utilizar el aparato si alguna pieza ha estado debajo del agua. Los posibles daños que se produzcan en los aparatos que hayan estado debajo del agua pueden ser abundantes y albergar numerosos riesgos de seguridad.
- Los aparatos que hayan estado debajo del agua se deben sustituir.

Corrosión

- ▶ Para evitar el contacto con oxígeno y, por lo tanto, también corrosión, no utilizar piezas transpirables

1.3 Instrucción del usuario



ADVERTENCIA: ¡Peligro de sufrir quemaduras en las tomas de agua caliente!

Durante la desinfección térmica y cuando la temperatura del agua caliente está ajustada a más de 122 °F (50 °C), existe peligro de sufrir quemaduras en las tomas de agua caliente.

- ▶ Indicar al usuario que abra el grifo de manera que sólo salga agua templada. En caso contrario, instalar un mezclador térmico de agua caliente.



AVISO: Daños en el acumulador por presión elevada no autorizada.

- ▶ No cerrar en ningún caso el conducto de vaciado de la válvula de temperatura y de seguridad de presión.

- ▶ Explicar el funcionamiento y el manejo de la instalación de calefacción y del acumulador de agua caliente y hacer hincapié en los puntos técnicos de seguridad.
- ▶ Explicar el funcionamiento y la comprobación de la válvula de seguridad T&D.
- ▶ Entregar al usuario toda la documentación adjunta.
- ▶ **Recomendación para el usuario:** formalizar un contrato de inspección y mantenimiento con una empresa autorizada.
- ▶ Informar al usuario de los siguientes puntos:
 - Durante el calentamiento, es posible que salga agua por la válvula de seguridad T&D.
 - El conducto de vaciado de la válvula de seguridad T&D debe mantenerse siempre abierto.
 - Comprobar al menos una vez año que la válvula de seguridad T&D funciona correctamente.
 - Inspeccionar el acumulador anualmente y, en caso necesario, realizar tareas de mantenimiento.

2 Descripción del producto

2.1 Volumen de suministro

- Acumulador
- Instrucciones de instalación y de mantenimiento
- B-KIT

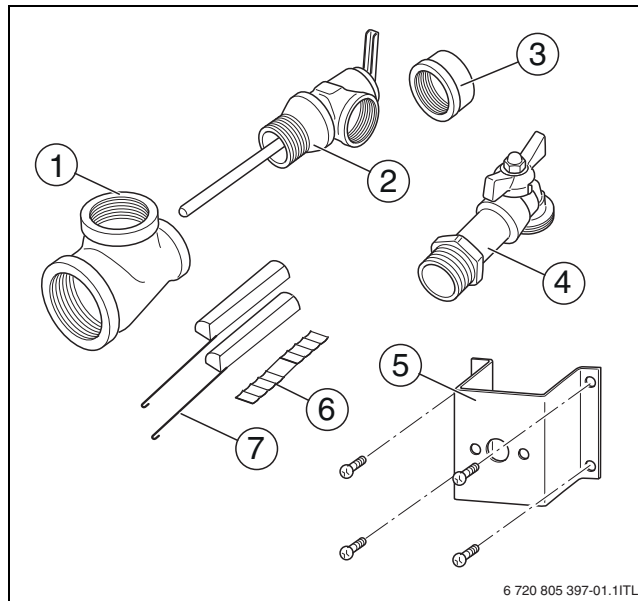


Fig. 1 Kit B

- [1] Pieza en T 1" x 1" x ¾" (2x)
- [2] Válvula de temperatura y válvula de seguridad de presión
- [3] Tapa ¾"
- [4] Llave de vaciado
- [5] Soporte para acuastato, tornillos para soporte de acuastato (4x)
- [6] Muelle de compensación para sonda de temperatura del acuastato o del acumulador
- [7] Carcasa de cuarto de círculo para sonda de acuastato o sonda de temperatura del acumulador (2x)

2.2 Uso conforme al empleo previsto

El acumulador de agua caliente ha sido diseñado para el calentamiento y el almacenamiento de agua potable. Tenga en cuenta las prescripciones, directrices y normas sobre agua potable específicas del país.

Utilice el acumulador de agua caliente únicamente en sistemas de calefacción cerrados.

Cualquier otro uso se considera inapropiado. La empresa no asume ninguna responsabilidad por los daños causados por el uso inapropiado del calentador.

Requisitos del agua potable	Unidad	
Dureza del agua, mín.	ppm	36
	grain/galón US	2,1
	°dH	2
Valor pH, mín. – máx.		6,5 – 9,5
Conductividad, mín. – máx.	µS/cm	130 – 1500

Tab. 3 Requisitos del agua potable

2.3 Descripción del producto

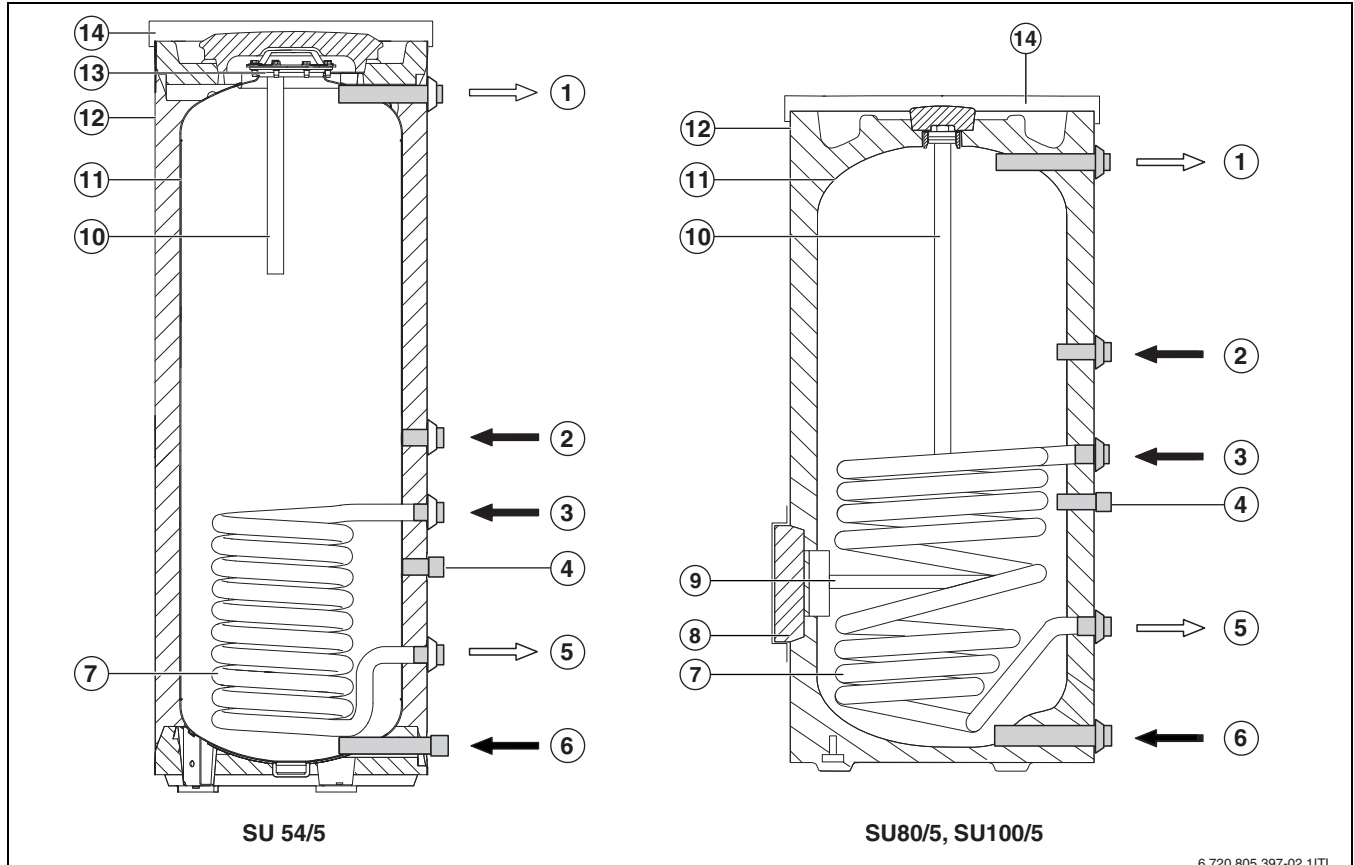


Fig. 2 Descripción del producto

Pos.	Description (Descripción)
1	Salida de agua caliente
2	Conexión de recirculación
3	Alimentación caldera
4	Vaina de inmersión para la sonda de temperatura
5	Retorno caldera
6	Entrada del agua fría
7	Intercambiador de calor para calentamiento por caldera, tubo liso esmaltado
8	Abertura de inspección para el mantenimiento y la limpieza en la parte delantera
9	2 ánodo en abertura de inspección, incorporado con aislamiento
10	SU54/5: 2x ánodos de magnesio integrados con aislamiento eléctrico SU80, SU100/5: ánodo de magnesio integrado sin aislamiento eléctrico
11	Depósito del acumulador, acero esmaltado
12	Revestimiento, chapa lacada con espuma rígida de aislamiento térmico de poliuretano de 2" (50 mm).
13	Abertura de inspección para el mantenimiento y la limpieza
14	Tapa del revestimiento PS

Tab. 4 Descripción del producto

2.4 Placa de características

La placa de características se encuentra en la parte superior de la parte trasera del acumulador de agua caliente.

2.5 Curva de pérdida de presión intercambiador de calor

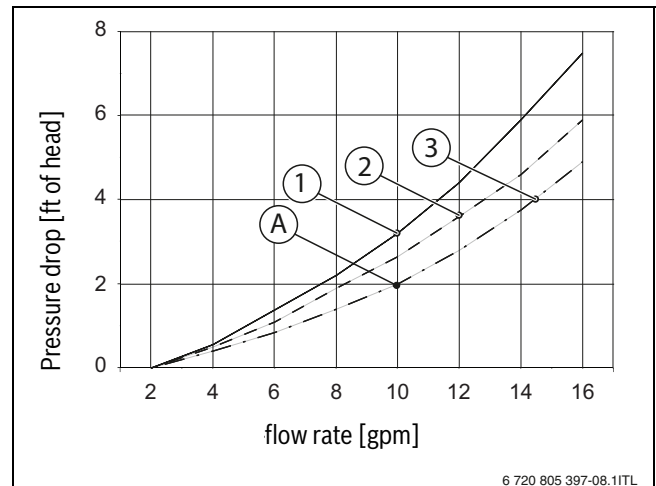


Fig. 3 Curva de pérdida de presión

- [1] SU100/5
- [2] SU80/5
- [3] SU54/5

Ejemplo:

[A] 10 gpm, 2 ft of head

2.6 Datos técnicos

	Unidad	SU54/5	SU80/5	SU100/5
Contenido del acumulador				
Contenido del acualador (total)	galones (l)	51,3 (194)	77,4 (293)	98,4 (372)
Caudal máximo	gpm (l/min)	5,1 (19)	7,7 (29)	9,8 (37)
Temperatura máxima del agua caliente	°F (°C)	203 (95)	203 (95)	203 (95)
Presión de servicio máxima del agua caliente	psi (bar)	150 (10,3)	150 (10,3)	150 (10,3)
Consumo térmico por disponibilidad de servicio (a 149 °F (65 °C) temperatura del agua caliente, 68 °F (20 °C) temperatura ambiente)	°F/h (K/h)	0,7 (0,39)	0,6 (0,33)	0,5 (0,28)
Potencia acumulador con:				
Temperatura de entrada del agua fría	°F (°C)	50 (10)	50 (10)	50 (10)
Temperatura de salida del agua caliente	°F (°C)	140 (60)	140 (60)	140 (60)
Ascenso de temperatura del agua caliente	°F (°C)	90 (50)	90 (50)	90 (50)
Temperatura de impulsión del intercambiador de calor (agua de calefacción)	°F (°C)	176 (80)	176 (80)	176 (80)
Caudal (agua de calefacción)	gpm (l/h)	11,4 (2600)	11,4 (2600)	14 (3180)
Pérdida de carga (agua de calefacción)	foh (mbar)	2,4 (72)	2,7 (81)	3,8 (114)
Potencia continua	gph (l/h) gpm (l/min)	130 (462) 2,00 (8,2)	189 (484) 2,10 (11,9)	218 (787) 3,05 (13,7)
Velocidad de flujo en la primera hora	gph (l/h)	180 (680)	264 (1000)	312 (1180)
Potencia máxima de calentamiento	btu/hr (kW)	84 879 (24,9)	119 217 (34,9)	143 872 (42,2)
Intercambiador de calor				
Contenido	galones (l)	1,5 (5,7)	2,3 (8,7)	3,1 (11,7)
Superficie	ft ² (m ²)	9,69 (0,9)	13,99 (1,3)	19,38 (1,8)
Temperatura máx. del agua caliente	°F (°C)	230 (110)	230 (110)	230 (110)
Presión máxima de servicio intercambiador de calor	psi (bar)	232 (16)	232 (16)	232 (16)

Tab. 5 Datos técnicos

2.7 Dimensiones constructivas y de conexión

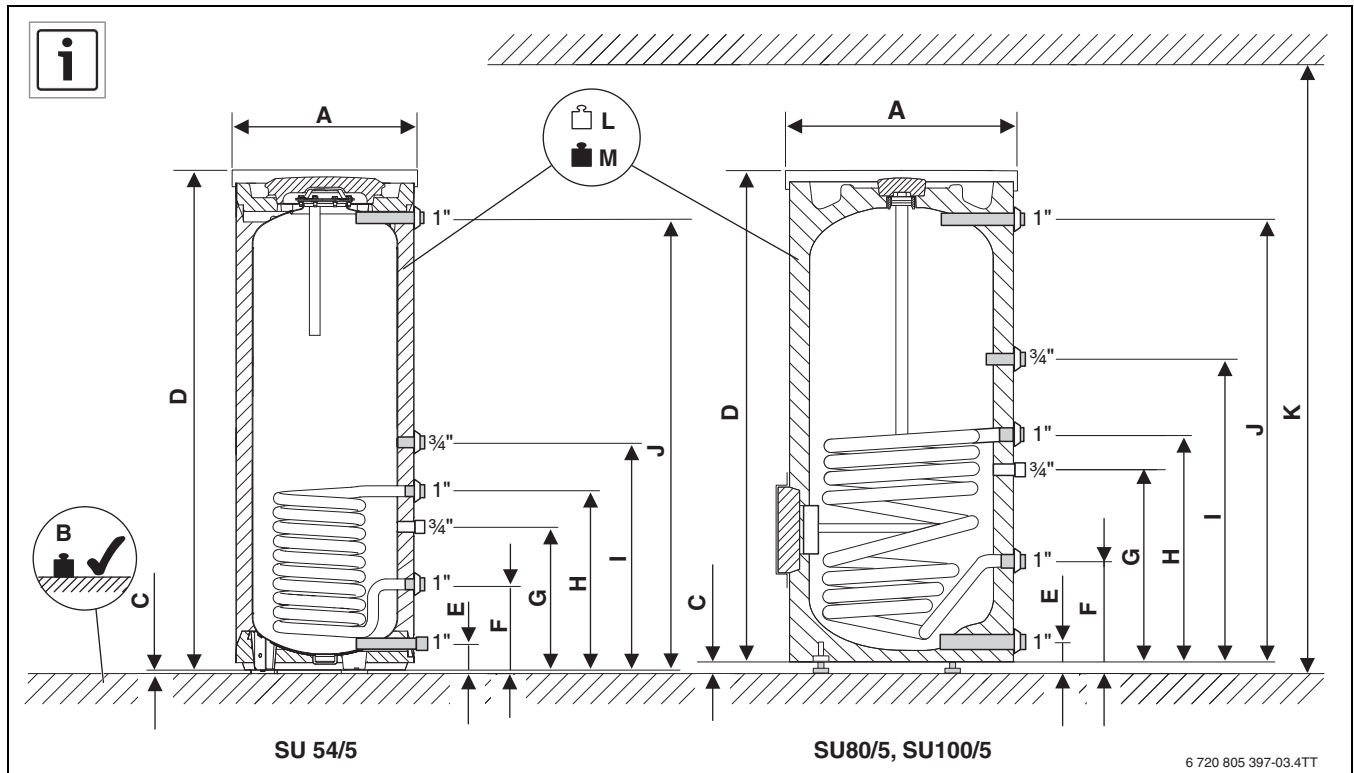


Fig. 4 Dimensiones constructivas y de conexión

Pos.	Description (Descripción)	Unidad	SU54/5	SU80/5	SU100/5
A	Diámetro	pulgadas (mm)	21-3/4 (550)	26-3/8 (670)	26-3/8 (670)
E	Capacidad de carga mínima del suelo	libras (kg)	628 (284)	893 (405)	1122 (509)
C	Altura de la base	pulgadas (mm)	1/2 (12,5)	3/8 - 3/4 (12,5)	3/8 - 3/4 (12,5)
D	Altura total	pulgadas (mm)	60-1/4 (1530)	58-7/8 (1495)	72-1/4 (1835)
E	Altura conexión entrada de agua fría	pulgadas (mm)	3-1/4 (80)	3-1/8 (80)	3-1/8 (80)
F	Altura conexión retorno del acumulador	pulgadas (mm)	10-1/2 (265)	12-1/2 (318)	12-1/2 (318)
G	Altura vaina de inmersión sonda de temperatura	pulgadas (mm)	17-1/8 (433)	31-1/5 (617)	24-3/10 (793)
H	Altura alimentación caldera	pulgadas (mm)	21-7/8 (553)	28-1/2 (722)	35-3/8 (898)
i	Altura conexión circulación	pulgadas (mm)	27-3/4 (703)	35-1/2 (903)	45 (1148)
J	Altura conexión salida de agua caliente	pulgadas (mm)	56,4 (1399)	53-3/8 (1355)	66-3/4 (1695)
K	Altura mínima del techo para la sustitución del ánodo	pulgadas (mm)	74-1/4 (1880)	72-7/8 (1850)	82-3/4 (2100)
V	Peso (vacío)	libras (kg)	160,9 (73)	231,5 (105)	282,2 (128)
M	Peso (lleno)	libras (kg)	601,9 (273)	892,9 (405)	1142 (518)

Tab. 6 Dimensiones constructivas y de conexión

3 Normas, reglamentos y directrices



Durante la instalación y el servicio, se deberán tener en cuenta todas las prescripciones, directivas y normas locales y específicas del país.



Todos los componentes eléctricos deben estar autorizados en EE. UU. y en Canadá.

4 Transporte



ADVERTENCIA: Peligro de lesiones por traslado de cargas pesadas y seguridad inadecuada durante el transporte.

- ▶ Utilice medios de transporte adecuados, p. ej. una carretilla con cinturón tensor.
- ▶ Asegurar la mercancía transportada para que no se caiga.



Transporte el acumulador de agua caliente completamente embalado hasta el lugar de emplazamiento. De esta forma, está protegido durante el transporte.

- ▶ Colocar la carretilla en la parte trasera del acumulador de agua caliente embalado.
- ▶ Asegurar el acumulador de agua caliente al medio de transporte con un cinturón tensor.
- ▶ Transportar el acumulador de agua caliente hasta el lugar de emplazamiento.
- ▶ Extraer el acumulador de agua caliente del embalaje cuando ya se esté en el lugar de emplazamiento.

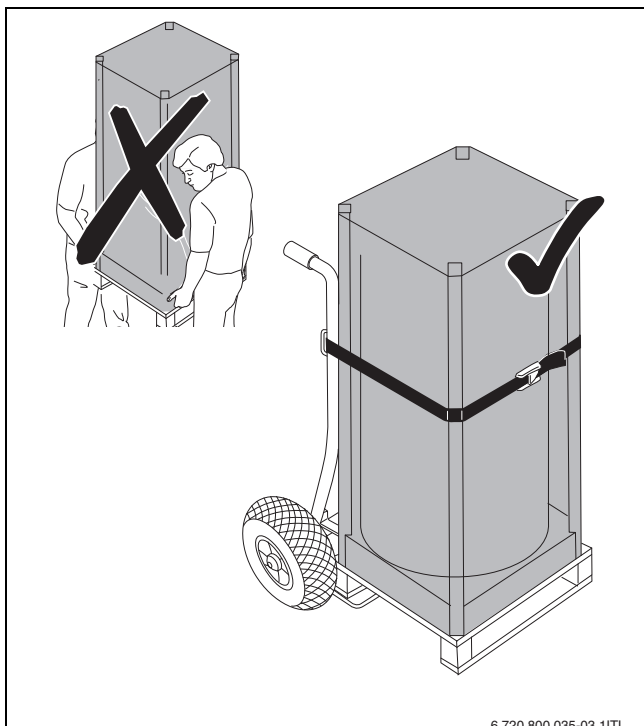


Fig. 5 Transporte con carretilla

Buderus

5 Montaje

El acumulador de agua caliente se suministra montado por completo.

- ▶ Compruebe que el acumulador de agua caliente esté en buen estado y completo.

5.1 Instalación

5.1.1 Requisitos del lugar de emplazamiento



AVISO: Daños en la instalación debido a fuerza de carga insuficiente de la superficie de emplazamiento o debido a una base inadecuada.

- ▶ Asegúrese de que la superficie de emplazamiento sea plana y de que tenga suficiente fuerza de carga.



AVISO: Daños debido a grietas de tensión y corrosión.

- ▶ Instalar el acumulador de agua caliente en un lugar asegurado contra heladas.
- ▶ Utilice el acumulador de agua caliente únicamente en instalaciones de calefacción hidrónicas cerradas.
- ▶ NO se deben utilizar vasos de expansión abiertos para este acumulador de agua caliente.



AVISO: Si las fugas pueden causar daños materiales o es obligatorio un recipiente de vaciado:

- ▶ instalar un recipiente de vaciado adecuado.
- ▶ Tener en cuenta el manual de instalación del fabricante del recipiente de vaciado.



Si se exige legalmente o si las fugas pueden producir daños materiales, instalar un recipiente de vaciado adecuado. Tener en cuenta las instrucciones del fabricante del recipiente de vaciado.

- ▶ Coloque el acumulador de agua caliente en un casquillo cuando exista peligro de que se acumule agua en el suelo del lugar de emplazamiento.
- ▶ Instale el acumulador de agua caliente seco y en estancias interiores libres de heladas.
- ▶ Tener en cuenta la altura mínima (→ tab. 6, pág. 25) y las distancias mínimas respecto a la pared en la sala de instalación (→ fig. 6).
- ▶ Mantener una distancia de 2" (51 mm) a los tubos calientes y las superficies inflamables.

5.1.2 Distancia a la pared

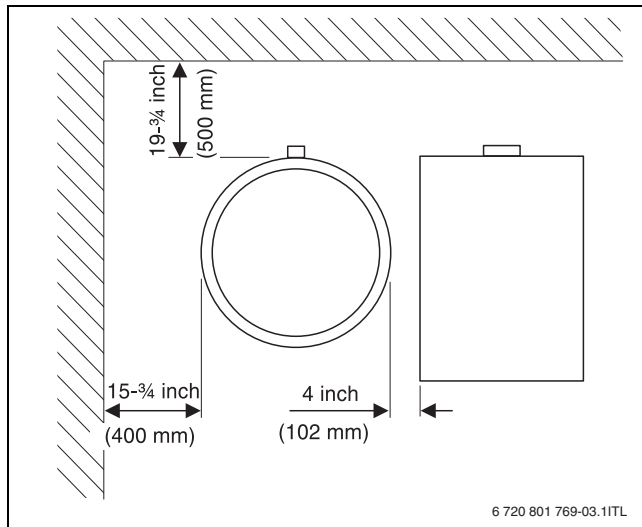


Fig. 6 Distancias mínimas a la pared recomendadas

5.1.3 Colocar el acumulador de agua caliente

- ▶ Extraer el acumulador del embalaje; para ello, retirar las láminas de plástico, las maderas escuadradas y las cubiertas acolchadas.
- ▶ Tender las cubiertas acolchadas sobre el suelo a modo de protección.

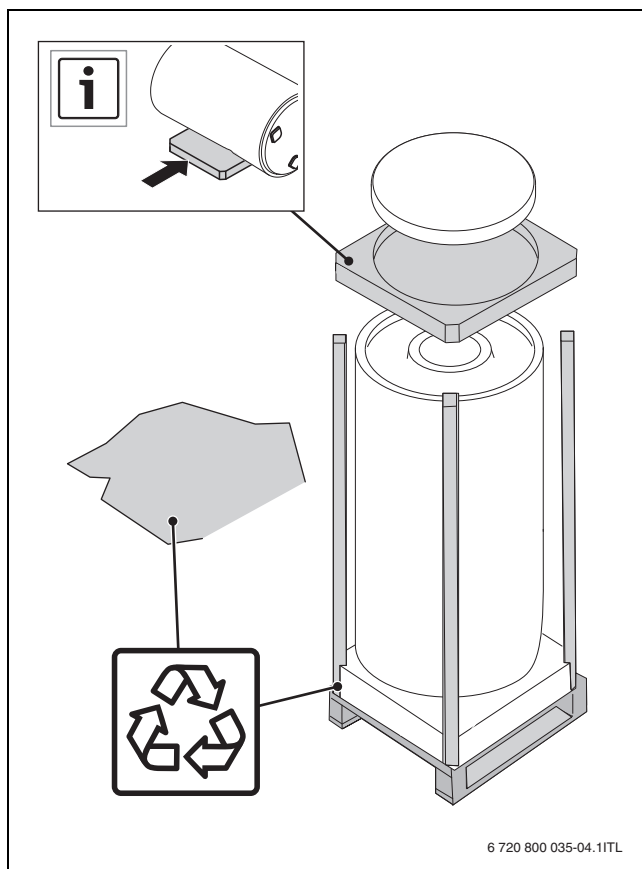


Fig. 7 Desembalar el acumulador de agua caliente

- ▶ Colocar el acumulador de agua caliente cuidadosamente sobre la cubierta acolchada [1].
- ▶ Cortar la elevación en el suelo de poliestireno [2].

- ▶ Desenroscar la pata regulable [3].

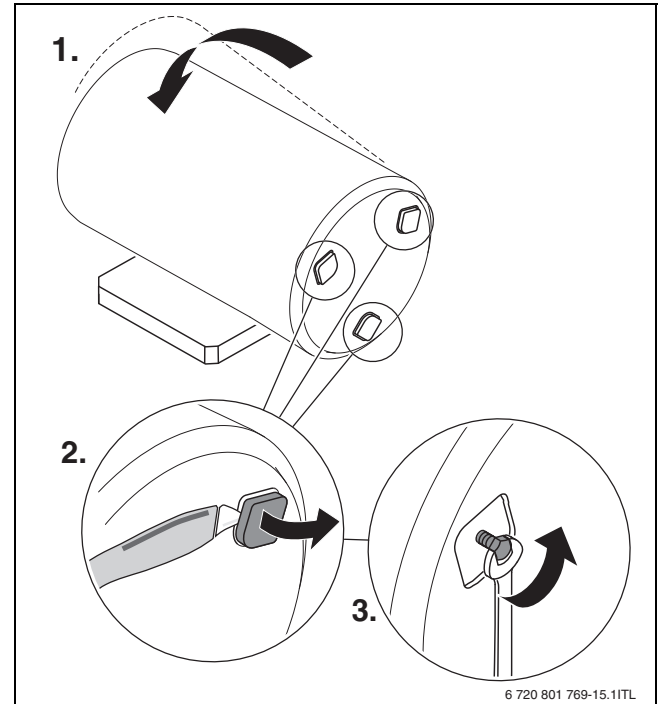


Fig. 8 Colocar el acumulador de agua caliente y descubrir las patas regulables.

- ▶ Colocar el acumulador de agua caliente sobre un suelo regular y firme.

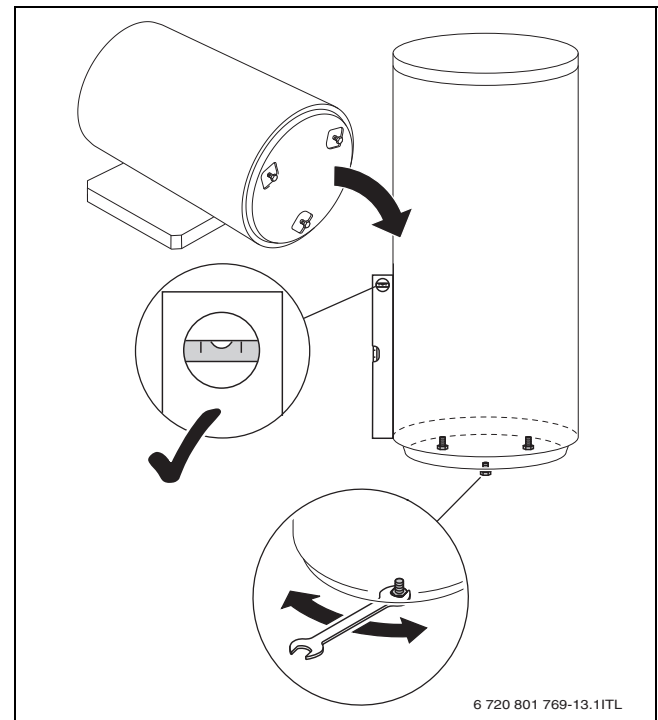


Fig. 9 Colocar el acumulador de agua caliente

- ▶ Mantener las distancias mínimas a la pared.
- ▶ Colocar el acumulador de agua caliente en sentido vertical con ayuda de las patas regulables.

► Retirar las tapas de las conexiones.

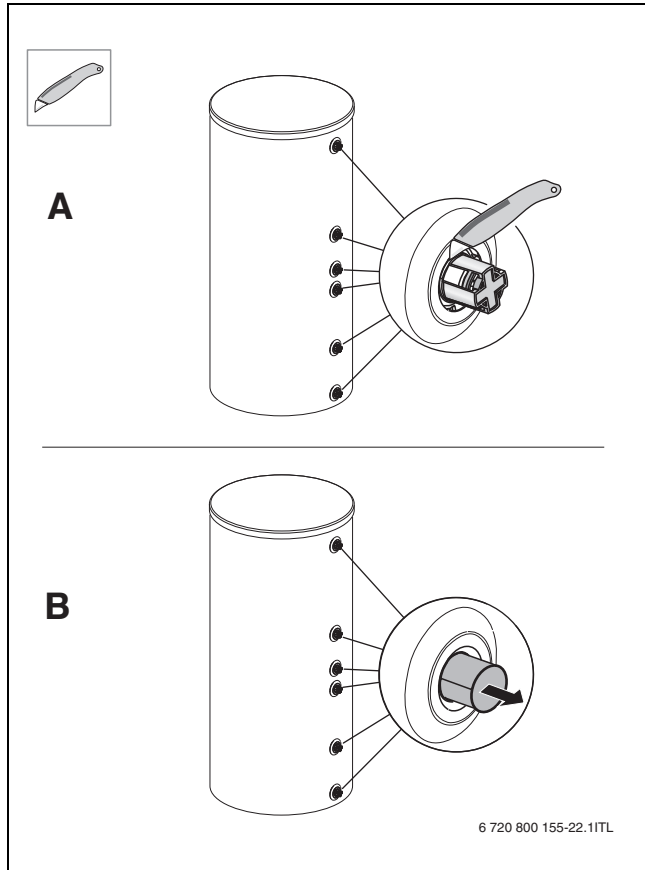


Fig. 10 Retirar las tapas

► Obturar las conexiones con cinta de teflón o hilo de teflón. No utilizar cáñamo para obturar las conexiones.

5.2 Conexión hidráulica

PELIGRO: Peligro para la salud por agua sucia. Los trabajos de montaje realizados de forma inadecuada contaminan el agua potable.

- Instalar y equipar el acumulador de agua caliente de manera higiénica de acuerdo con las normas y directrices específicas nacionales.

ADVERTENCIA: Peligro de quemaduras por trabajos de soldadura.

- Tome las medidas de precaución adecuadas cuando realice cualquier trabajo de soldadura, ya que el aislamiento térmico es inflamable. P. ej. cubra el aislamiento térmico.
- Tras el trabajo, compruebe la integridad del revestimiento del acumulador.

AVISO: Daños en el agua.

- Antes de llenar el acumulador, montar el vaciado en la conexión al acumulador inferior.
- Cerrar todas las conexiones al acumulador que no estén en uso.



AVISO: Peligro de corrosión por daños en el esmalte.
► Apretar las conexiones hidráulicas al acumulador de agua caliente únicamente firmemente.

5.2.1 Conexión hidráulica del acumulador de agua caliente

Ejemplo de instalación con todas las válvulas y llaves de paso recomendadas (→ fig. 11).

- Al calcular las dimensiones del vaso de expansión para la instalación de calefacción se debe tener en cuenta la capacidad del serpentín de calentamiento y del acumulador.
- Cambiar de lugar los cables de conexión de la sonda de temperatura del acumulador que están en la parte trasera del acumulador a la caldera o al regulador a través del aislamiento térmico.
- Instalar las guías de tuberías directamente en las conexiones al acumulador de tal forma que no sea posible la autocirculación. En caso necesario, instalar tapas de retención.
- Montar los cables de conexión sin torsión.
- Establecer las conexiones al acumulador in situ.
- Comprobar la estanqueidad de todas las conexiones.

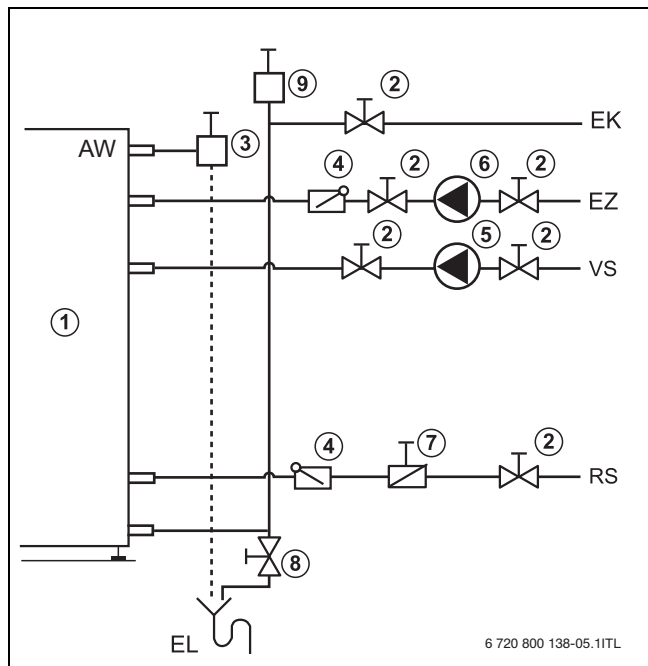


Fig. 11 Instalación (esquema de principio)

- [1] Depósito del acumulador
- [2] Válvula de corte
- [3] Válvula de seguridad P&T (combinada con salida de agua caliente)
- [4] Válvula antirretorno
- [5] Bomba de carga del acumulador
- [6] Bomba de recirculación (opcional)
- [7] Separador de aire
- [8] Llave de vaciado
- [9] Vaso de expansión
- [AW] Salida de agua caliente
- [EK] Entrada del agua fría
- [EL] Vaciado
- [EZ] Entrada circulación
- [RS] Retorno acumulador
- [VS] Alimentación acumulador

5.2.2 Montar válvula de seguridad de presión y de temperatura (de la instalación)

- ▶ Montar una válvula de temperatura y una válvula de seguridad de presión autorizadas y homologadas para agua potable ($\geq \frac{3}{4}$ ") en la salida de agua caliente.
- ▶ El acumulador de agua caliente se debe instalar con una nueva válvula de temperatura y de seguridad de presión.
- ▶ Las dimensiones de la válvula de temperatura y de seguridad de presión deben corresponderse al menos con el contenido del acumulador detallado.
- ▶ Tenga en cuenta el manual de instalación de la válvula de seguridad.
- ▶ Conducto de vaciado de la válvula de temperatura y de seguridad de presión:
 - El conducto de vaciado debe coincidir, como mínimo, con la sección transversal de salida de la válvula de seguridad.
 - Introducir el conducto de vaciado de la válvula de temperatura y de seguridad de presión directamente en un punto de desagüe adecuado (longitud máxima: 6 ft (2 m) con un máximo de dos ángulos de 90°).
 - Introducir el conducto de vaciado en un punto de desagüe adecuado para evitar daños en el agua.
 - Comprobar al menos una vez año que la válvula de temperatura y seguridad de presión funcionan correctamente.
- ▶ No cerrar el conducto de vaciado. Durante el calentamiento podría producirse una expulsión provisional de agua por motivos de servicio.

5.3 Montar sonda de temperatura del acumulador (accesorio) o acuastato (accesorio).



PELIGRO: ¡Peligro de muerte por corriente eléctrica!

- ▶ Antes de realizar trabajos en la instalación: desconectar la instalación de la alimentación eléctrica.



Llevar a cabo la conexión eléctrica y el ajuste de temperatura de la sonda de temperatura del acumulador o del acuastato según las instrucciones del respectivo fabricante.

Para medir y vigilar la temperatura del agua caliente debe montarse una sonda de temperatura del acumulador o un acuastato en el acumulador de agua caliente.

Montaje de la sonda de temperatura del agua caliente

- ▶ Retirar la sonda de temperatura del acumulador del volumen de suministro del aparato de regulación (accesorio).
- ▶ Introduzca el set de la sonda en la vaina de inmersión [5] hasta el tope. Simultáneamente, la espiral de plástico [3] que une el set de la sonda se desliza hacia atrás automáticamente.

El muelle de compensación [4] garantiza el contacto entre la vaina de inmersión y la superficie de la sonda y, de esta forma, establece una transferencia segura de temperatura.



Preste atención a que la superficie de la sonda haga contacto en toda su longitud con la superficie de la vaina de inmersión.

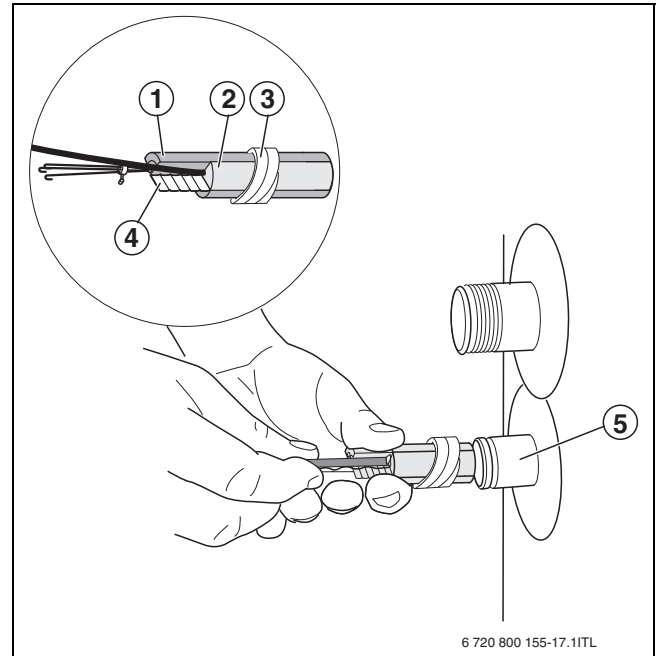


Fig. 12 Montaje de la sonda de temperatura del agua caliente

- [1] Carcasa de cuarto de círculo
- [2] Sonda de temperatura
- [3] Espiral de plástico
- [4] Muelle de compensación
- [5] Vaina de inmersión

- ▶ Deslizar el seguro para sondas [1] del lateral a la vaina de inmersión [2].
- ▶ Guíe el cable de la sonda a la caldera y al aparato de regulación estableciendo, si fuera necesario, un retenedor de cable. La tubería no puede estar en contacto con piezas calientes de la caldera.
- ▶ En sondas de temperatura que se utilicen sin muelle de compensación se debe llenar el hueco de la vaina de inmersión con una cantidad suficiente de pasta termoconductor.

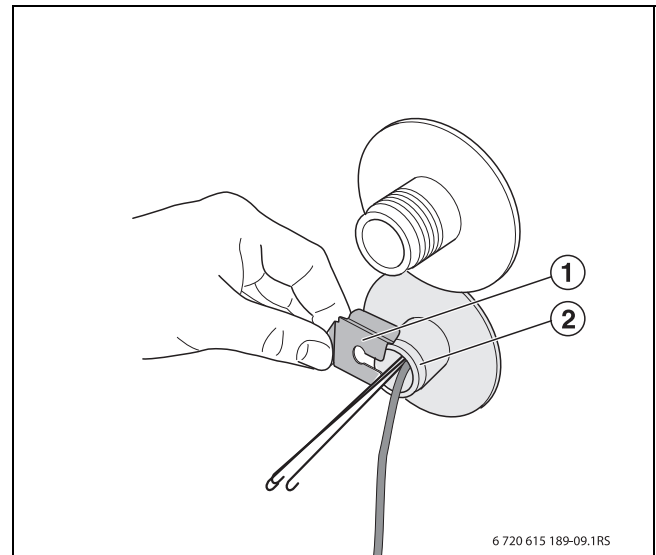


Fig. 13 Montar el seguro para sondas

- [1] Prisionero para sensores
- [2] Vaina de inmersión

Montar el acuastato

- ▶ Retirar el recubrimiento del acuastato. Para ello, aflojar el tornillo de la parte superior.
- ▶ En caso necesario, retirar la fijación que ya existe. Atornillar el soporte [3] al acuastato [2] con dos tornillos de chapa [1].

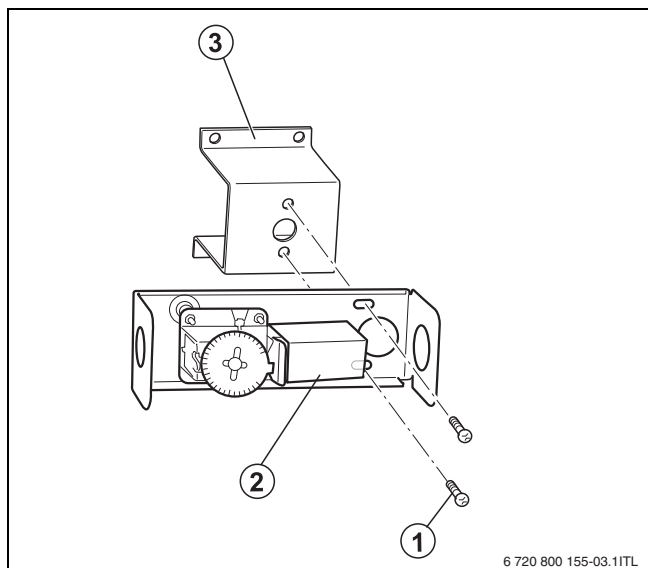


Fig. 14 Atornillar el soporte del acuastato

- [1] Tornillos para chapa
- [2] Acuastato
- [3] Soporte

- ▶ Introducir la sonda de temperatura [4] con el muelle de compensación [3] en la vaina de inmersión [5].
- ▶ Atornillar el soporte [6] con 4 tornillos de chapa [1] en el acumulador de agua caliente.
- ▶ Volver a montar el recubrimiento del acuastato [2].

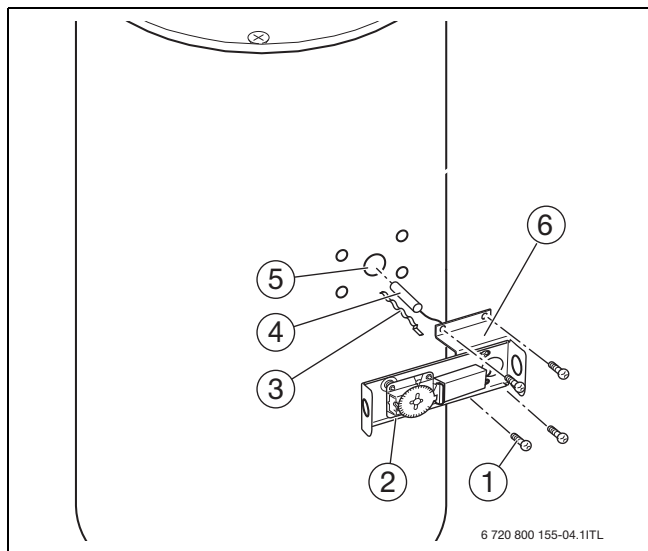


Fig. 15 Montar el acuastato

- [1] Tornillos para chapa
- [2] Acuastato
- [3] Muelle de compensación
- [4] Sonda de temperatura
- [5] Vaina de inmersión
- [6] Soporte

Buderus

Montar los componentes del kit B

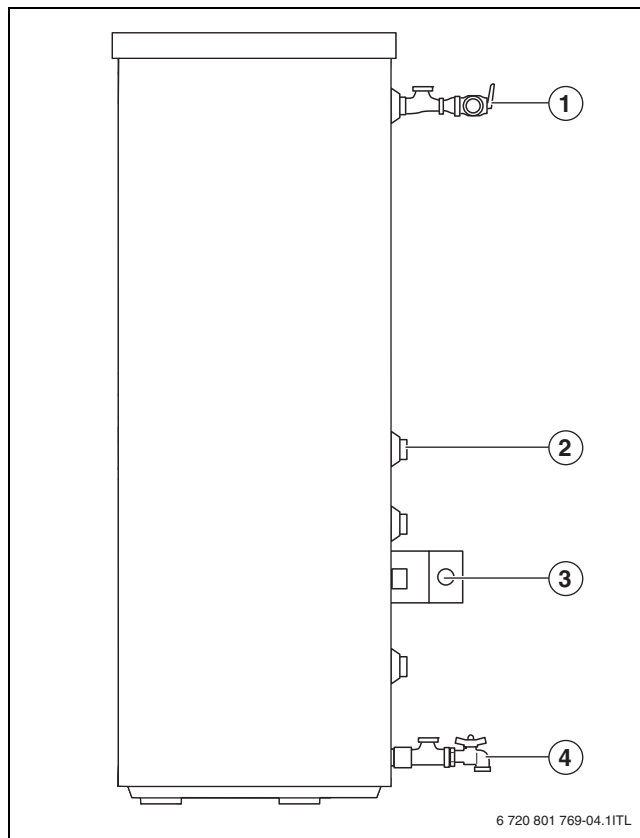


Fig. 16 Montar los componentes del kit B

- [1] Pieza en T 1" x 1" x 3/4" (2x) con válvula de seguridad T&D
- [2] Tapa 3/4" para conexión de recirculación
- [3] Soporte con acuastato
- [4] Pieza en T con llave de llenado y vaciado

6 Puesta en marcha



AVISO: ¡Daño a equipo por exceso de presión!
Una presión excesiva puede producir fisuras en el esmalte.

- ▶ No cerrar en ningún caso el conducto de vaciado de la válvula de temperatura y de seguridad de presión.

6.1 Puesta en marcha del acumulador de agua caliente

La puesta en marcha la debe llevar a cabo el instalador de la instalación de calefacción o una persona cualificada.

- ▶ Poner en marcha la caldera y otros accesorios según las indicaciones del fabricante en el manual de instalación correspondiente y el manual de instrucciones.



Prueba la estanqueidad del acumulador de agua caliente exclusivamente con agua potable. La presión de prueba con agua caliente no debe superar los 150 psi (10,3 bar de sobrepresión).

- ▶ Para purgar el acumulador de agua caliente, abrir la espita que se encuentra más alta.
- ▶ Para llenar el acumulador de agua caliente, abrir la válvula de corte para la entrada de agua caliente.
- ▶ Enjuagar a fondo las tuberías y el acumulador de agua caliente antes de la puesta en marcha.
- ▶ Antes del calentamiento, comprobar si la caldera, el acumulador de agua caliente y las tuberías están llenas de agua. Para ello, abrir la válvula de ventilación y de purga de aire.
- ▶ Comprobar la estanqueidad de todas las conexiones, tuberías y aberturas de inspección.

7 Fuera de servicio



AVISO: ¡Daños en el acumulador!
Formación de corrosión por restos de humedad.

- ▶ Secar bien la zona interior (p. ej., con aire caliente) y abrir los orificios de acceso.

7.1 Poner el acumulador de agua caliente fuera de servicio

- ▶ Desconectar el regulador de temperatura del aparato de regulación, desconectar la instalación de calefacción mediante el interruptor térmico de emergencia o desconectarla de la corriente eléctrica a través fusible.



ADVERTENCIA: ¡Quemaduras por agua caliente!

- ▶ Dejar que el acumulador de agua caliente se enfríe suficientemente.

- ▶ Cerrar la válvula de corte para la entrada de agua fría.
- ▶ Purgar el acumulador de agua caliente a través de la llave de vaciado; para ello, abrir la espita que se encuentra más alta.
- ▶ Cerrar las válvulas de corte que van a la caldera y que salen de ella.
- ▶ Eliminar la presión del intercambiador de calor.
- ▶ Vaciar el intercambiador de calor y purgarlo.
- ▶ Para evitar que aparezca corrosión, secar bien el interior y dejar abierta la tapa de la abertura de inspección.

7.2 Desconectar la instalación de calefacción en caso de riesgo de heladas

- ▶ Poner la instalación de calefacción y el acumulador de agua caliente fuera de servicio según el cap. 7.1.



Vaciar el acumulador de agua caliente por completo, también el depósito inferior del acumulador y el serpentín de calentamiento.

8 Protección del medio ambiente/reciclaje

La protección del medio ambiente es uno de los principios empresariales del Grupo Bosch.

La calidad de los productos, la rentabilidad y la protección del medio ambiente tienen para nosotros la misma importancia. Las leyes y normativas para la protección del medio ambiente se respetan rigurosamente. Para proteger el medio ambiente, utilizamos las tecnologías y materiales más adecuados, teniendo en cuenta también los aspectos económicos.

Embalaje

En cuanto al embalaje, nos implicamos en los sistemas de reutilización específicos de cada región para garantizar un reciclaje óptimo. Todos los materiales del embalaje son respetuosos con el medio ambiente y reutilizables.

Aparatos usados eléctricos y electrónicos



Los aparatos eléctricos y electrónicos inservibles deben separarse para su eliminación y reutilizarlos de acuerdo con el medio ambiente (Directiva Europea de Residuos de aparatos eléctricos y electrónicos).

Utilice los sistemas de restitución y colecta para la eliminación de residuos de aparatos eléctricos y electrónicos.

9 Mantenimiento

- ▶ Deje enfriar el acumulador de agua caliente durante el tiempo suficiente antes de realizar cualquier tarea de mantenimiento.
- ▶ Subsanan los fallos inmediatamente.
- ▶ Utilizar únicamente piezas de repuesto originales.
- ▶ Inspeccionar el acumulador anualmente y, en caso necesario, realizar tareas de mantenimiento.
- ▶ Comprobar anualmente la válvula de temperatura y de seguridad de presión.

9.1 Preparar el acumulador de agua caliente para la limpieza

Los acumuladores de agua caliente SU80/5 y SU100/5 se limpian por el registro de acceso manual lateral. El acumulador de agua caliente SU54/5 se limpia por el registro de acceso manual superior.



ADVERTENCIA: ¡Quemaduras por agua caliente!

- ▶ Dejar que el acumulador de agua caliente se enfríe suficientemente antes de la limpieza.

- ▶ Desconecte la instalación de calefacción de la alimentación eléctrica.
- ▶ Vaciado del acumulador de agua caliente. Para ello, cerrar la válvula de corte para la entrada de agua fría y abra la llave de vaciado. Para ventilar, abrir la válvula de ventilación y de purga de aire o la espita que se encuentra más alta.
- ▶ Retirar la tapa del revestimiento PS (SU54/5) (→ fig. 17, pág. 33, [1]) o el recubrimiento de la tapa del punto de acceso manual (SU80/5, SU100/5) (→ fig. 18, pág. 33, [1]) del acumulador de agua caliente.
- ▶ Aflojar los tornillos hexagonales [2] de la tapa del registro de acceso [3].

- Retirar la tapa del punto de acceso manual [3], el ánodo de magnesio [5] y la junta de la tapa del punto de acceso manual [4].

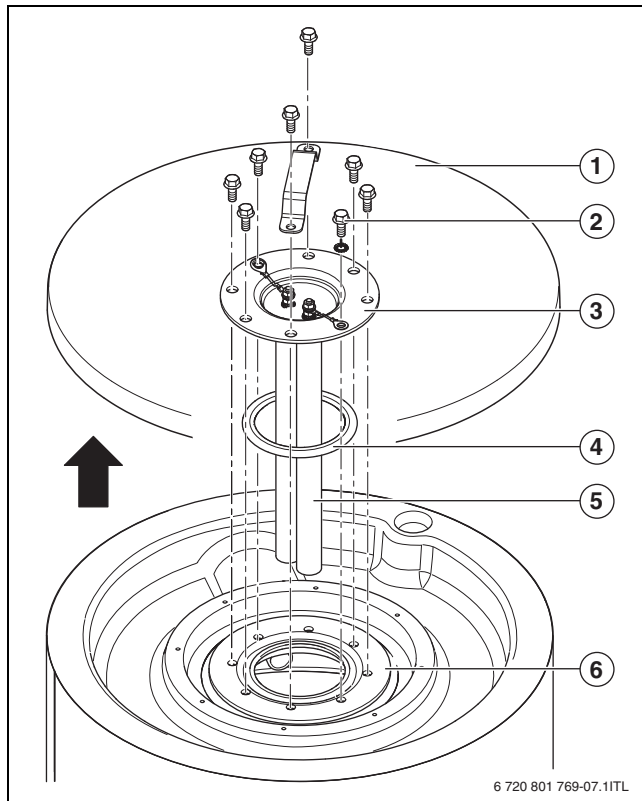


Fig. 17 Desmontar la tapa del registro de acceso manual SU54/5

- [1] Tapa del revestimiento PS
- [2] Tornillos hexagonales
- [3] Tapa del registro de acceso manual
- [4] Junta de la tapa del registro de acceso manual
- [5] Ánodos de magnesio
- [6] Abertura de inspección

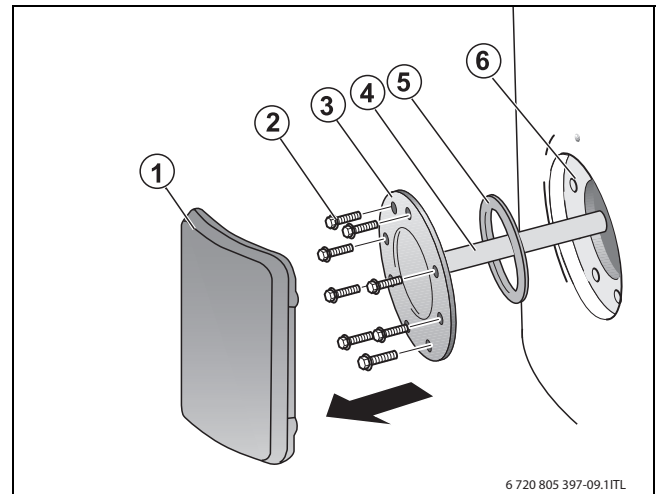


Fig. 18 Desmontar la tapa del registro de acceso manual SU80/5, SU100/5

- [1] Recubrimiento de la tapa del registro de acceso manual
- [2] Tornillos hexagonales
- [3] Tapa del registro de acceso manual
- [4] Junta de la tapa del registro de acceso manual
- [5] Ánodos de magnesio
- [6] Abertura de inspección

9.2 Descalcificación/limpieza del acumulador de agua caliente

- Revisar el interior del acumulador de agua caliente para comprobar si hay incrustaciones de cal.



AVISO: Daños en el acumulador por revestimiento de las superficies dañado.

- Para limpiar la pared interna, no utilizar objetos duros o afilados

Si han aparecido restos de cal en el acumulador de agua caliente, proceda de la siguiente manera:

- Limpiar el interior del acumulador de agua caliente con un potente chorro de agua fría (aprox. 58 - 72,5 psi (4 - 5 bar) de sobrepresión). Si antes de limpiar calienta el intercambiador de calor del acumulador de agua caliente vacío, puede aumentar la eficacia de la limpieza. Mediante un efecto de contraste térmico, las incrustaciones de cal desaparecen del tubo liso del intercambiador de calor de una forma más sencilla.
- Eliminar los residuos con un aspirador en seco y húmedo equipado con un tubo de aspiración de plástico.

Si en el acumulador de agua caliente han aparecido restos de cal muy incrustados, estos se podrán eliminar mediante una limpieza con productos químicos. Le recomendamos que la limpieza química la realice un servicio técnico.

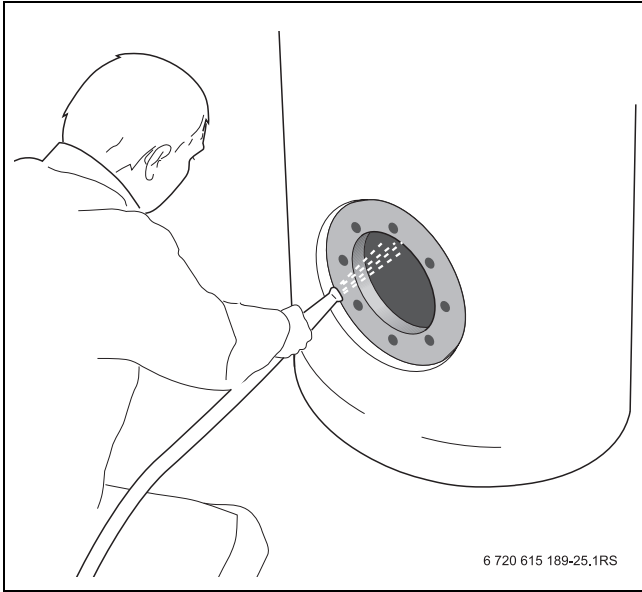


Fig. 19 Limpiar el acumulador de agua caliente en el ejemplo SU80/5, SU100/5

9.3 Comprobar el ánodo de magnesio



Si el ánodo de magnesio no ha sido sometido a trabajos de mantenimiento especializados, la garantía quedará invalidada.

Los registros anuales de mantenimiento deben almacenarse en un lugar seguro y, en caso de garantía, presentarse junto al recibo de compra original.

El ánodo de magnesio protege el acumulador de agua caliente frente a la corrosión. Para determinar si el ánodo de magnesio se debe sustituir, comprobarlo anualmente.

La superficie del ánodo de magnesio no debe presentar sedimentaciones. Sustituir el ánodo de magnesio en caso de:- formación de sedimentaciones, - aumento de la superficie debido a sedimentaciones, - diámetro reducido por debajo de 5/8" (15 mm).

En algunos casos puede ser necesario sustituir el ánodo de magnesio en intervalos de tiempo menores:

- Conexión de recirculación
- Mala calidad del agua
- Corrosión galvánica/electrolítica
- Elevada tasa de caudal

En caso de mala calidad del agua recomendamos un tratamiento profesional del agua.



Procurar que la superficie de la barra de magnesio no esté en contacto con aceite ni grasa.

- ▶ Comprobar que esté limpia.

9.3.1 Comprobar el ánodo de magnesio superior (SU80/5, SU100/5)

- ▶ Si aún no se ha realizado, retirar la tapa del revestimiento PS.
- ▶ Desatornillar los ánodos de magnesio.
- ▶ Comprobar el desgaste de los ánodos de magnesio.
- ▶ Cuando el diámetro se ha reducido a aprox. 5/8" (15 mm), sustituir el ánodo de magnesio.
- ▶ Volver a atornillar los ánodos de magnesio en el manguito.

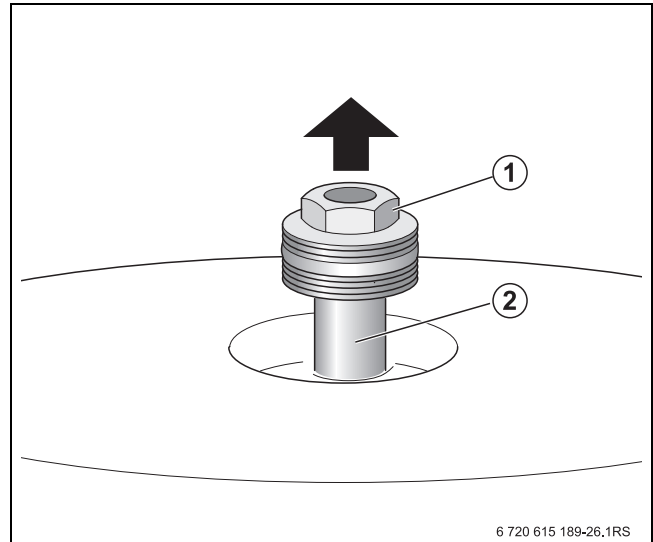


Fig. 20 Comprobar el ánodo de magnesio superior SU80/5, SU100/5

- [1] Tornillo hexagonal
- [2] Ánodo de magnesio

9.3.2 Comprobar el ánodo de magnesio superior (SU54/5)

- ▶ Desmontar la tapa del registro de acceso manual (→ fig. 17, pág. 33) si aún no se ha hecho.
- ▶ Comprobar los ánodos de magnesio.
- ▶ Cuando el diámetro se ha reducido a aprox. 5/8" (15 mm), sustituir el ánodo de magnesio.
- ▶ Para soltar el ojal del anillo del cable de conexión del cable de masa [8], desatornillar la tuerca M8 [9].
- ▶ Desenroscar la tuerca M8 [7].
- ▶ Retirar la tapa del punto de acceso manual [3] del ánodo de magnesio [1].

- ▶ Montar nuevo ánodo de magnesio con las piezas pequeñas suministradas (→ fig. 21).

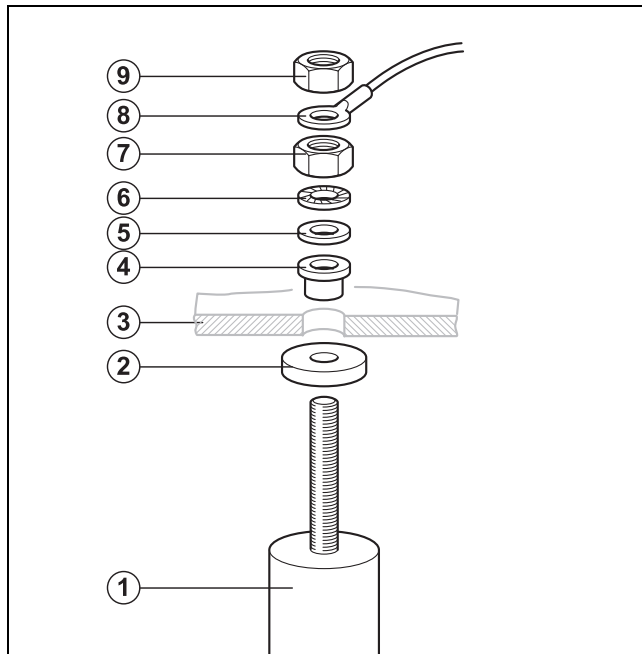


Fig. 21 Sustituir el ánodo de magnesio

- [1] Ánodo de magnesio
- [2] Junta
- [3] Tapa del registro de acceso manual
- [4] Manguito aislante
- [5] Arandela de apoyo
- [6] Arandela dentada
- [7] Tuerca M8
- [8] Ojal del anillo del cable de conexión del cable de masa
- [9] Tuerca M8

9.3.3 Comprobar el ánodo de magnesio lateral (SU80/5, SU100/5)

- ▶ Vaciar el acumulador como se describe en el cap. 9.1, pág. 32.
- ▶ Desmontar la tapa del registro de acceso manual (→ fig. 17, pág. 33) si aún no se ha hecho.
- ▶ Comprobar los ánodos de magnesio.
- ▶ Cuando el diámetro se ha reducido a aprox. ½" (15 mm), sustituir el ánodo de magnesio.
- ▶ Para soltar el ojal del anillo del cable de conexión del cable de masa [8], desatornillar la tuerca M8 [9].
- ▶ Desenroscar la tuerca M8 [7].
- ▶ Retirar la tapa del punto de acceso manual [3] del ánodo de magnesio [1].
- ▶ Montar nuevo ánodo de magnesio con las piezas pequeñas suministradas (→ fig. 21).

9.4 Puesta en marcha tras el mantenimiento



AVISO: Daños en el acumulador por junta defectuosa.

- ▶ Para evitar que haya puntos no estancos en el acumulador de agua caliente, instalar una junta de la tapa del registro de acceso manual nueva después de la limpieza y el mantenimiento.

- ▶ Volver a instalar la tapa del registro de acceso manual [4] con una junta nueva [2] en el lateral o en la parte superior.
- ▶ Atornillar "firmemente" los tornillos hexagonales [5] a la tapa del registro de acceso manual [4].
- ▶ A continuación, apretar los tornillos hexagonales con una llave dinamométrica 18-22 lbf-ft (25-30 Nm).
- ▶ Llenar el acumulador de agua caliente y volver a poner la instalación de calefacción en funcionamiento.
- ▶ Comprobar la estanqueidad de todas las conexiones y aberturas de inspección.
- ▶ Colocar el recubrimiento de la tapa del registro de acceso manual.
- ▶ Volver a colocar la tapa del revestimiento PS sobre el acumulador de agua caliente.

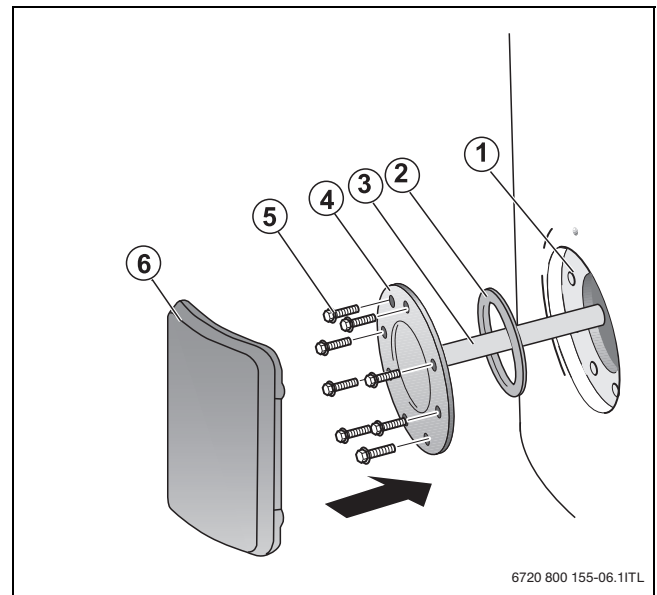
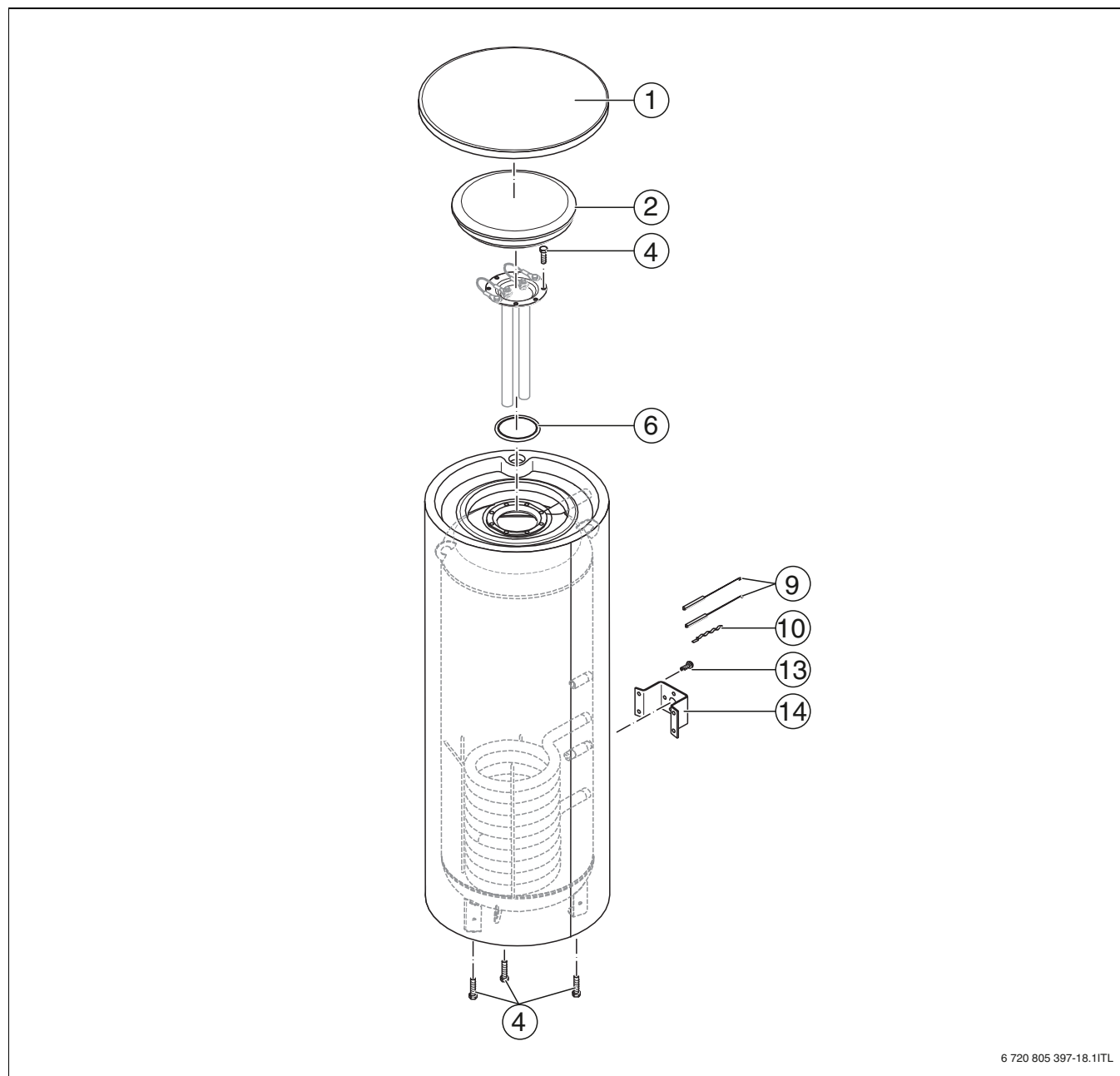


Fig. 22 Montar la abertura de inspección

- [1] Abertura de inspección
- [2] Junta de la tapa del registro de acceso manual
- [3] Ánodo de magnesio
- [4] Tapa del registro de acceso manual
- [5] Tornillos hexagonales
- [6] Recubrimiento de la tapa del registro de acceso manual

10 Piezas de repuesto



6 720 805 397-18.1ITL

Fig. 23 Piezas de repuesto para SU54/5

Pos.	Designación del artículo	N.º de artículo
1	Recubrimiento D550 tapa negro	8 718 542 319 0
2	Tapón EPS parte superior D370	8 718 541 763 0
4	Tornillos hexagonales autosurcantes M10x25 (8x)	7 747 005 744
6	Junta tórica 120,02x6,99-N	8 718 572 538 0
9	Carcasa 1/4 de círculo (1x)	8 718 585 547
10	Resorte compensador (5x)	8 718 585 143
13	Tornillo para chapa St 4,2x13 (10x)	7 747 027 696
14	Chapa de sujeción para acuastato	7 747 028 761 0
	Logo Buderus	8 718 541 573 0

Tab. 7

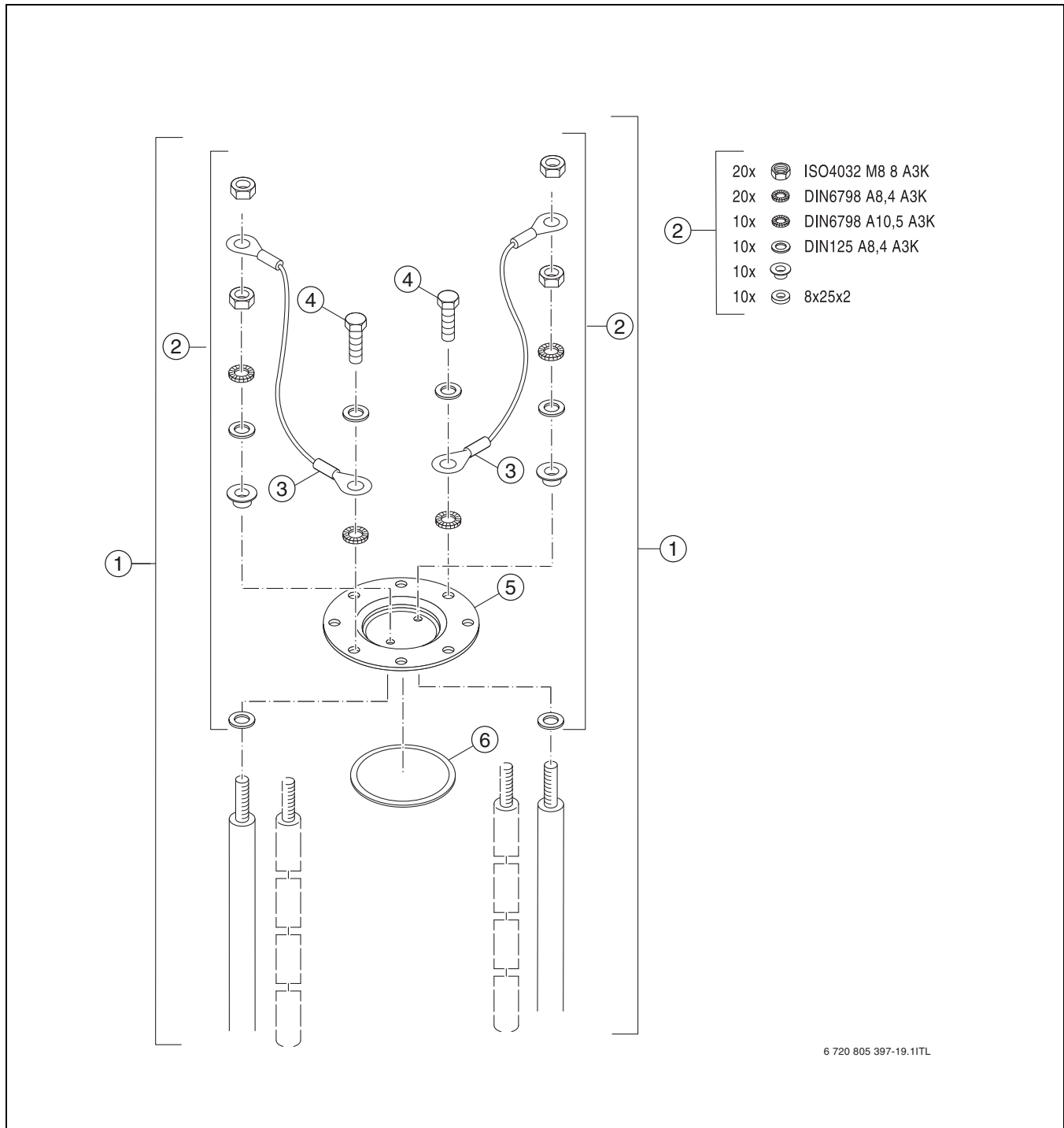


Fig. 24 Piezas de repuesto para SU54/5

Pos.	Designación del artículo	N.º de artículo
1	Cadena de ánodos 3Gld 558/528 mm M8	63020947
1	Ánodo D33x400 mm (1x)	8 718 571 568 0
2	Set de fijación de ánodo (10x)	5264278
3	El cable de masa aísla el ánodo	63037168
4	Tornillos hexagonales autosurcantes M10x25 (8x)	7 747 005 744
5	Tapa del registro de acceso manual DN120 SA5 termovitrificado	8 718 543 791 0
6	Junta tórica 120,02x6,99-N	8 718 572 538 0

Tab. 8

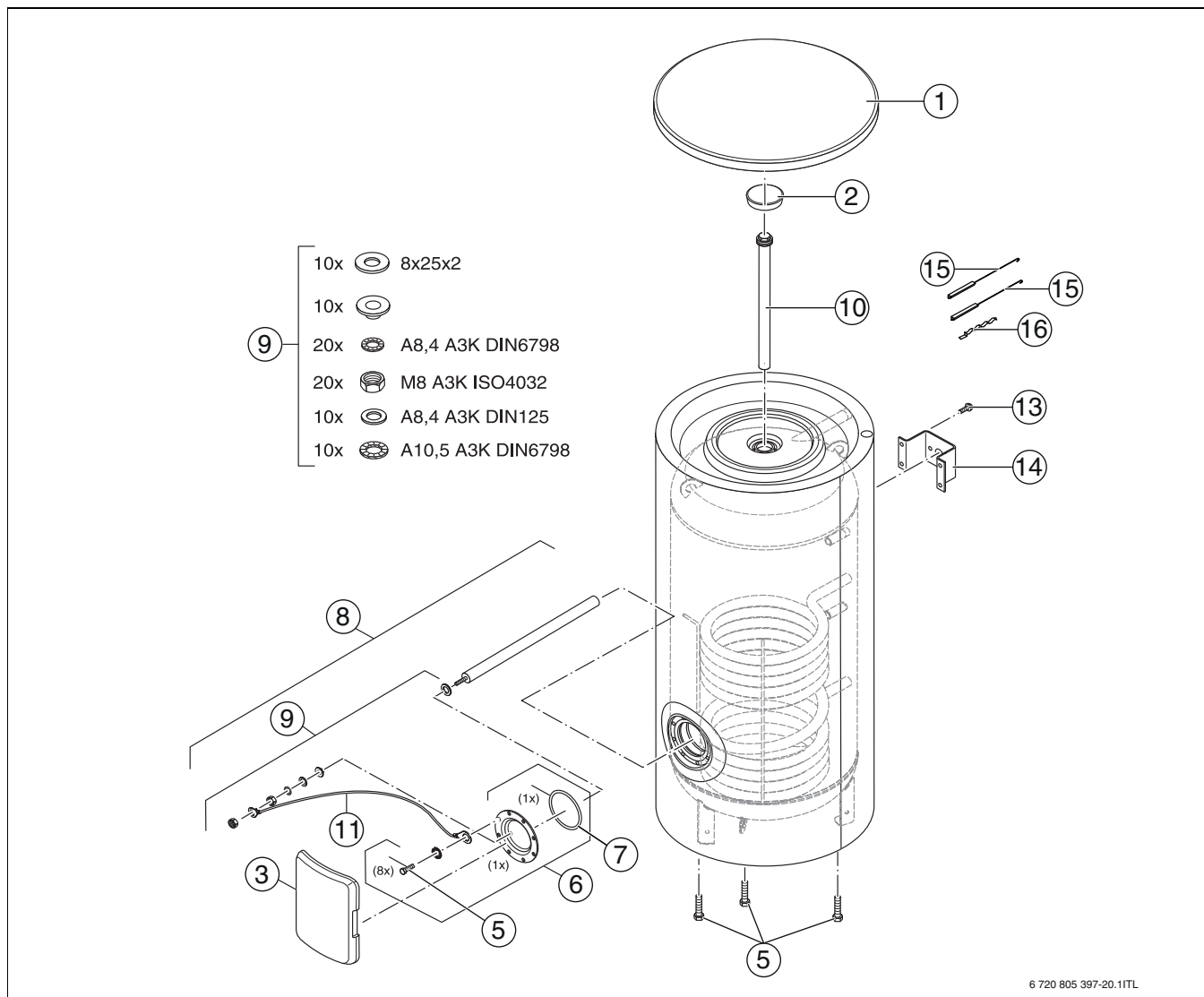


Fig. 25 Piezas de repuesto para SU80/5, SU100/5

Pos.	Designación del artículo	N.º de artículo
1	Recubrimiento D670 tapa negro	8 718 541 369 0
2	Tapón, parte superior EPS D672.5	8 718 541 767 0
3	Registro de acceso manual aislante D670 negro	8 718 542 063 0
5	Tornillos hexagonales autosurcantes M10x25 (8x)	7 747 005 744
6	Tapa del registro de acceso manual DN120 para ánodo	7 747 004 739
7	Junta tórica 120,02x6,99-N	8 718 572 538 0
8	Ánodo D33x400 mm	8 718 571 568 0
9	Set de fijación de ánodo (10x)	5264278
10	Ánodo G1 1/2x575 sin aislamiento D=33 (80 galones)	8 718 542 779 0
10	Ánodo G1 1/2x750 sin aislamiento D=33 (100 galones)	8 718 542 778 0
11	El cable de masa aísla el ánodo	63037168
13	Tornillo para chapa St 4,2x13 (10x)	7 747 027 696
14	Chapa de sujeción para acuaestado	7 747 028 761 0
15	Carcasa 1/4 de círculo (1x)	8 718 585 547
16	Resorte compensador (5x)	8 718 585 143
	Logo Buderus	8 718 541 573 0

Tab. 9

Sommaire

1	Explication des symboles et mesures de sécurité	39
1.1	Explication des symboles	39
1.2	Consignes de sécurité	40
1.3	Initiation de l'exploitant	41
2	Description du produit	41
2.1	Contenu de livraison	41
2.2	Utilisation conforme à l'usage prévu	41
2.3	Description du produit	42
2.4	Plaque signalétique	42
2.5	Courbe des pertes de pression échangeur thermique ..	42
2.6	Données techniques	43
2.7	Dimensions de construction et de raccordement	44
3	Normes, prescriptions et directives	45
4	Transport	45
5	Montage	45
5.1	Mise en place	45
5.1.1	Exigences requises pour le lieu d'installation	45
5.1.2	Distances par rapport aux murs	46
5.1.3	Mise en place du ballon d'eau chaude sanitaire	46
5.2	Raccordements hydrauliques	47
5.2.1	Effectuer le raccordement hydraulique du ballon d'eau chaude sanitaire	47
5.2.2	Installer la soupape de sécurité pour la température et la pression (sur site)	48
5.3	Monter la sonde de température du ballon (accessoire) ou l'Aquastat (accessoire)	48
6	Mise en service	50
6.1	Mise en service du ballon d'eau chaude sanitaire	50
7	Mise hors service	50
7.1	Mise hors service du ballon d'eau chaude sanitaire ...	50
7.2	Mise hors service de l'installation de chauffage en cas de risques de gel	50
8	Protection de l'environnement/ Recyclage	50
9	Entretien	51
9.1	Préparer le ballon d'eau chaude sanitaire pour le nettoyage	51
9.2	Détartre/nettoyer le ballon d'eau chaude sanitaire ..	52
9.3	Contrôler l'anode en magnésium	52
9.3.1	Contrôler l'anode en magnésium supérieure (SU80/5, SU100/5)	52
9.3.2	Contrôler l'anode en magnésium supérieure (SU54/5)	52
9.3.3	Contrôler l'anode en magnésium latérale (SU80/5, SU100/5)	53
9.4	Mise en service après maintenance	53
10	Pièces de rechange	54

1 Explication des symboles et mesures de sécurité

1.1 Explication des symboles

Avertissements



Les avertissements sont indiqués dans le texte par un triangle de signalisation. En outre, les mots de signalement caractérisent le type et l'importance des conséquences éventuelles si les mesures nécessaires pour éviter le danger ne sont pas respectées.

Les mots de signalement suivants sont définis et peuvent être utilisés dans le présent document :

- **AVIS** signale le risque de dégâts matériels.
- **PRUDENCE** signale le risque d'accidents corporels légers à moyens.
- **AVERTISSEMENT** signale le risque d'accidents corporels graves à mortels.
- **DANGER** signale la survenue d'accidents mortels en cas de non respect.

Informations importantes



Les informations importantes ne concernant pas de situations à risques pour l'homme ou le matériel sont signalées par le symbole ci-contre.

Autres symboles

Symbole	Signification
▶	Etape à suivre
→	Renvois à un autre passage dans le document
•	Énumération/Enregistrement dans la liste
–	Énumération/Enregistrement dans la liste (2e niveau)

Tab. 1

1.2 Consignes de sécurité

Lisez attentivement toutes les consignes avant l'installation. Exécuter les étapes dans l'ordre indiqué. Faire contrôler le ballon d'eau chaude sanitaire par un technicien qualifié au moins une fois par an. Le non-respect de ces consignes peut entraîner des accidents graves voire mortels et/ou des dégâts matériels.

Montage et entretien

► Risque d'incendie en raison des travaux de soudure !

L'isolation thermique étant inflammable, prendre des mesures de sécurité appropriées pour effectuer tous les travaux de soudage, en recouvrant l'isolation thermique par ex.

- S'assurer que les travaux d'installation et de maintenance sont exclusivement réalisés par un professionnel agréé.
- Utiliser des matériaux suffisamment résistants aux températures élevées.

Interdiction :

Il est formellement interdit de raccorder le potentiostat d'une anode externe à l'anode en magnésium montée dans un ballon ! Le ballon serait endommagé ! Le droit de garantie serait perdu.

Installation et mise en service

- Au « Commonwealth of Massachusetts », le ballon d'eau chaude sanitaire doit être mis en place par un installateur agréé.
- Le raccordement électrique doit être réalisé exclusivement par un électricien. Respecter le schéma de connexion !
- Ne pas monter cet appareil dans des pièces humides (par ex. salle de bain, sauna).

Fonction

- Respecter cette notice d'installation et d'entretien afin de garantir un fonctionnement parfait.
- Ne pas obturer la conduite de purge de la soupape de sécurité T&D. Pendant le chauffage, de l'eau risque de s'écouler pour des raisons de sécurité.

Risques d'électrocution

- S'assurer que seuls des électriciens autorisés réalisent ces travaux électriques.
- Avant de commencer les travaux d'électricité, couper le courant du câble d'alimentation sur tous les pôles et protéger l'installation contre tout réenclenchement involontaire.
- Vérifier que l'installation est hors tension.

Risques de brûlure aux points de puisage de l'eau chaude sanitaire

- Les températures du ballon d'eau chaude sanitaire pendant son fonctionnement peuvent dépasser 122 °F (50 °C). Pour limiter la température de puisage, installer un mélangeur thermostatique.
- L'eau chauffée utilisée pour la lessive, la vaisselle et d'autres tâches de nettoyage peut provoquer des brûlures et des blessures permanentes.
- Chez les enfants, les personnes âgées et sénile ou mentalement handicapée, il existe un risque accru de blessure permanente à l'eau chaude. Ne jamais laisser ces personnes sans surveillance dans la baignoire ou sous la douche. Ne pas autoriser les jeunes enfants à actionner eux-mêmes les robinets d'eau chaude ou de remplir une baignoire.
- Si dans un bâtiment les personnes comprises dans les catégories précédemment citées actionnent des robinets d'eau chaude ou si les directives locales imposent des températures précises pour les robinets d'eau chaude, prendre les mesures spécifiques suivantes :
 - Utiliser le réglage de température le plus bas possible.

- Installer une sécurité anti-brûlure, par ex. un mélangeur automatique, sur le robinet d'eau chaude ou le chauffe-eau. Choisir et installer la vanne mélangeur automatique en fonction des recommandations et consignes du fabricant de la vanne.

- L'eau s'échappant des vannes de vidange peut être extrêmement chaude. Pour éviter les blessures :
 - Assurer l'étanchéité des raccordements.
 - Eloigner les écoulements d'eau de toute personne.
- Prendre des mesures de protection contre les températures et pressions trop élevées ! Installer impérativement une soupape de sécurité pour la température et la pression.

Le tableau suivant présente le rapport entre la température de l'eau et le temps nécessaire à l'apparition de brûlures. Vous pouvez ainsi déterminer les températures d'eau les plus sûres pour votre application.

Température	Temps jusqu'à brûlure importante
120 °F (48 °C)	plus de 5 minutes
125 °F (51 °C)	1,5 à 2 minutes
130 °F (54 °C)	env. 30 secondes
135 °F (57 °C)	env. 10 secondes
140 °F (60 °C)	moins de 5 secondes
145 °F (62 °C)	moins de 3 secondes
150 °F (65 °C)	env. 1,5 secondes
155 °F (68 °C)	env. 1 seconde

Tab. 2 Rapport approximatif temps-température lors de l'apparition de brûlures ¹⁾

1) Source : Moritz, A.R. et Henriques, F.C., Jr. (1947). Etudes sur les blessures thermiques. II. L'importance relative du temps et de la température de surface à l'origine des brûlures de la peau, American Journal of Pathologie, 23, 695-720.

Pour maintenir la protection anti-corrosion et respecter les règles de sécurité électrique, veuillez tenir compte des points suivants :

- Sur les installations de réchauffage d'eau potable équipées de conduites en plastique, utiliser des raccords métalliques.
- Utiliser des accessoires d'origine.
- Après avoir terminé l'installation complète du ballon, effectuer un contrôle des courants de fuite (inclure également les raccords-unions métalliques de raccordement).

Entretien

Recommandation pour le client :

- Conclure un contrat d'entretien et d'inspection avec un chauffagiste professionnel ou avec le service après-vente My Service. Inspecter le ballon une fois par an et faire les travaux de maintenance si nécessaire. Travaux de service en fonction des besoins.
- Utiliser uniquement des pièces de rechange d'origine.

Inondation

- Ne pas utiliser l'appareil après l'inondation si l'une des pièces était sous eau. Les éventuels dommages subis par les appareils submergés peuvent être très importants et cacher de nombreux risques pour la sécurité.
- Chaque appareil submergé doit être remplacé.

Corrosion

- Afin d'éviter l'entrée d'oxygène et la corrosion, ne pas utiliser d'éléments perméables!

1.3 Initiation de l'exploitant



AVERTISSEMENT : Risques de brûlure aux points de puisage de l'eau chaude sanitaire !
Si la température d'eau chaude sanitaire est réglée à plus de 122 °F (50 °C) et pendant la désinfection thermique, il y a risque de brûlures aux points de puisage de l'eau chaude sanitaire.

- ▶ Rendre le client attentif au fait que l'eau chaude ne peut pas être ouverte sans la mélanger avec de l'eau froide. Dans le cas contraire, installer un mélangeur thermostatique.



AVIS : Dégâts sur le ballon dus à une pression élevée non autorisée.

- ▶ Ne jamais obturer la conduite de purge de la soupape de sécurité pour la température et la pression.

- ▶ Expliquer comment utiliser et manipuler l'installation de chauffage et le ballon d'eau chaude sanitaire et attirer l'attention sur les problèmes de sécurité technique.
- ▶ Expliquer le fonctionnement et le contrôle de la soupape de sécurité T&D.
- ▶ Remettre à l'exploitant tous les documents ci-joints.
- ▶ **Recommandation destinée à l'exploitant :** conclure un contrat d'entretien et d'inspection avec un professionnel agréé.
- ▶ Attirer l'attention de l'exploitant sur les points suivants :
 - Pendant la mise en température, de l'eau peut s'écouler par la soupape de sécurité T&D.
 - La conduite de purge de la soupape de sécurité T&D doit toujours rester ouverte.
 - Vérifier le bon fonctionnement de la soupape de T&D au moins une fois par an.
 - Inspecter le ballon une fois par an et faire la maintenance si nécessaire.

2 Description du produit

2.1 Contenu de livraison

- Ballon tampon
- Notice d'installation et d'entretien
- B-KIT

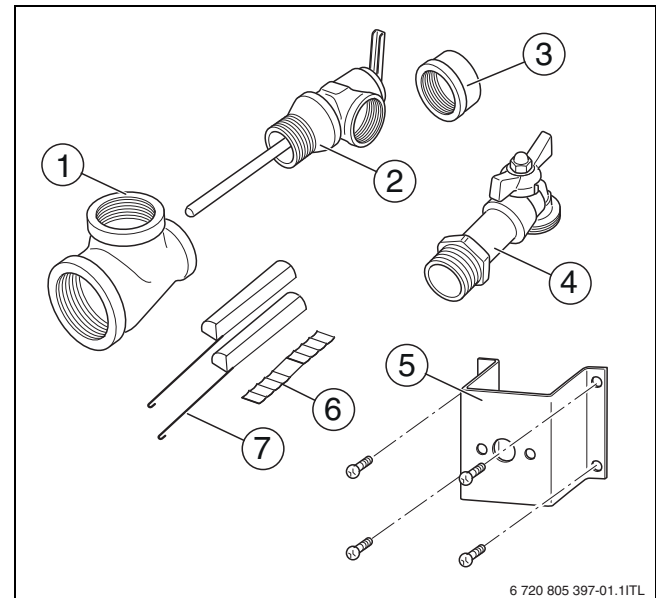


Fig. 1 Kit B

- [1] Té de raccordement 1" x 1" x 3/4" (2x)
- [2] Soupape de sécurité température et pression
- [3] Capuchon 3/4"
- [4] Robinet de vidange
- [5] Support pour Aquastat, vis pour support de l'Aquastat (4x)
- [6] Ressort compensateur pour sonde de température de l'Aquastat ou du ballon
- [7] Pièces borgnes quart de rond pour l'aquastat ou la sonde de température du ballon (2x)

2.2 Utilisation conforme à l'usage prévu

Le ballon d'eau chaude sanitaire est conçu pour le réchauffement et le stockage de l'eau potable. Veuillez respecter les prescriptions, directives et normes locales en vigueur pour l'eau potable.

Utiliser le ballon d'eau chaude sanitaire exclusivement dans des systèmes de chauffage fermés.

Toute autre utilisation n'est pas conforme. Les dégâts éventuels qui en résulteraient sont exclus de la garantie.

Exigences requises pour l'eau potable	Module	
Dureté de l'eau, min.	ppm grain/US gallon °dH	36 2,1 2
pH, min. – max.		6,5 – 9,5
Conductibilité, min. – max.	µS/cm	130 – 1500

Tab. 3 Exigences requises pour l'eau potable

2.3 Description du produit

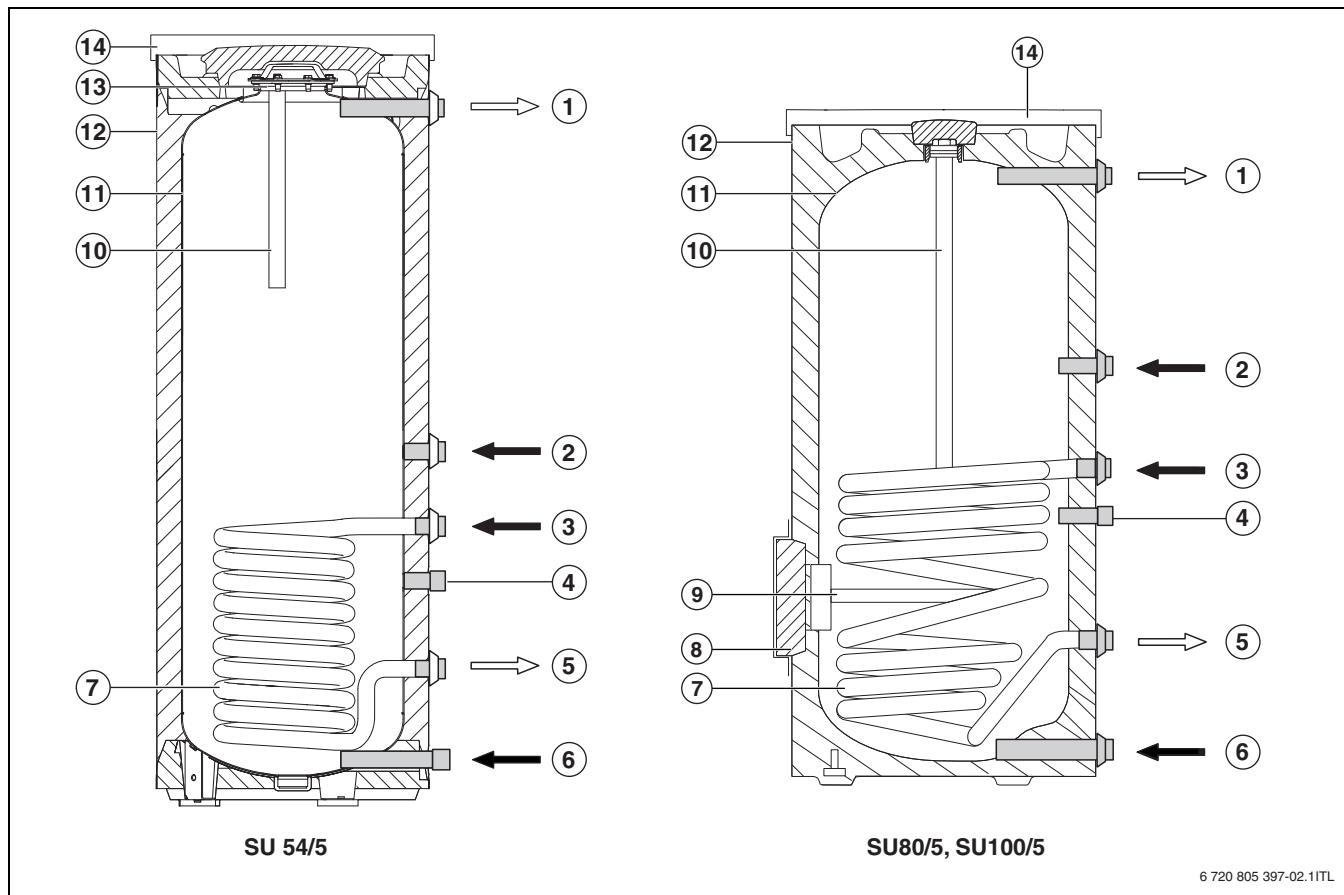


Fig. 2 Description du produit

Pos.	Description (désignation)
1	Sortie eau chaude
2	Raccord bouclage
3	Départ chaudière
4	Doigt de gant pour la sonde de température
5	Retour chaudière
6	Entrée eau froide
7	Echangeur thermique pour le chauffage par chaudière, tube lisse émaillé
8	Fenêtre de contrôle pour entretien et nettoyage à l'avant
9	2. Anode isolée, intégrée dans la fenêtre de contrôle
10	SU54/5 : 2x anodes en magnésium électriques intégrées avec isolation SU80, SU100/5 : anode en magnésium électrique intégrée sans isolation
11	Réservoir du ballon acier thermovitrifié
12	Habillage, tôle laquée avec isolation thermique mousse rigide en polyuréthane 2" (50 mm).
13	Fenêtre de contrôle pour entretien et nettoyage
14	Couvercle de l'habillage PS

Tab. 4 Description du produit

2.4 Plaque signalétique

La plaque signalétique est placée sur la partie supérieure à l'arrière du ballon d'eau chaude sanitaire.

Buderus

2.5 Courbe des pertes de pression échangeur thermique

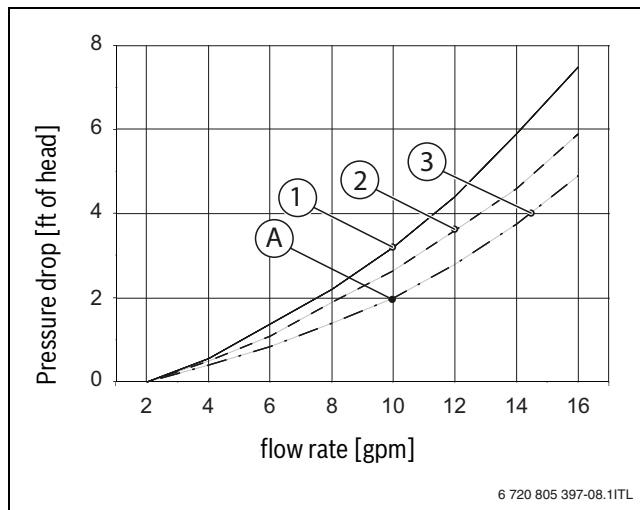


Fig. 3 Courbe des pertes de pression

- [1] SU100/5
- [2] SU80/5
- [3] SU54/5

Exemple:

[A] 10 gpm, 2 ft of head

2.6 Données techniques

	Module	SU54/5	SU80/5	SU100/5
Volumes				
Volume du ballon (total)	gal (l)	51,3 (194)	77,4 (293)	98,4 (372)
Débit maximum	gpm (l/min)	5,1 (19)	7,7 (29)	9,8 (37)
Température ECS maximale	°F (°C)	203 (95)	203 (95)	203 (95)
Pression de service ECS maximale	psi (bar)	150 (10,3)	150 (10,3)	150 (10,3)
Consommation pour maintien en température (à 149 °F (65 °C) température ECS, 68 °F (20 °C) température ambiante)	°F/h (K/h)	0,7 (0,39)	0,6 (0,33)	0,5 (0,28)
Puissance du ballon pour :				
Température d'entrée d'eau froide	°F (°C)	50 (10)	50 (10)	50 (10)
Température de sortie d'eau chaude sanitaire	°F (°C)	140 (60)	140 (60)	140 (60)
Élévation de température ECS	°F (°C)	90 (50)	90 (50)	90 (50)
Température de départ de l'échangeur thermique (eau de chauffage)	°F (°C)	176 (80)	176 (80)	176 (80)
Débit (eau de chauffage)	gpm (l/h)	11,4 (2600)	11,4 (2600)	14 (3180)
Perte de charge (eau de chauffage)	foh (mbar)	2,4 (72)	2,7 (81)	3,8 (114)
Puissance continue	gph (l/h) gpm (l/min)	130 (462) 2,00 (8,2)	189 (484) 2,10 (11,9)	218 (787) 3,05 (13,7)
Quantité puisée dans la première heure	gph (l/h)	180 (680)	264 (1000)	312 (1180)
Puissance maximale de chauffage	btu/hr (kW)	84 879 (24,9)	119 217 (34,9)	143 872 (42,2)
Échangeur thermique				
Sommaire	gal (l)	1,5 (5,7)	2,3 (8,7)	3,1 (11,7)
Surface	ft ² (m ²)	9,69 (0,9)	13,99 (1,3)	19,38 (1,8)
Température maxi. d'eau de chauffage	°F (°C)	230 (110)	230 (110)	230 (110)
Pression de service maximale de l'échangeur thermique	psi (bar)	232 (16)	232 (16)	232 (16)

Tab. 5 Données techniques

2.7 Dimensions de construction et de raccordement

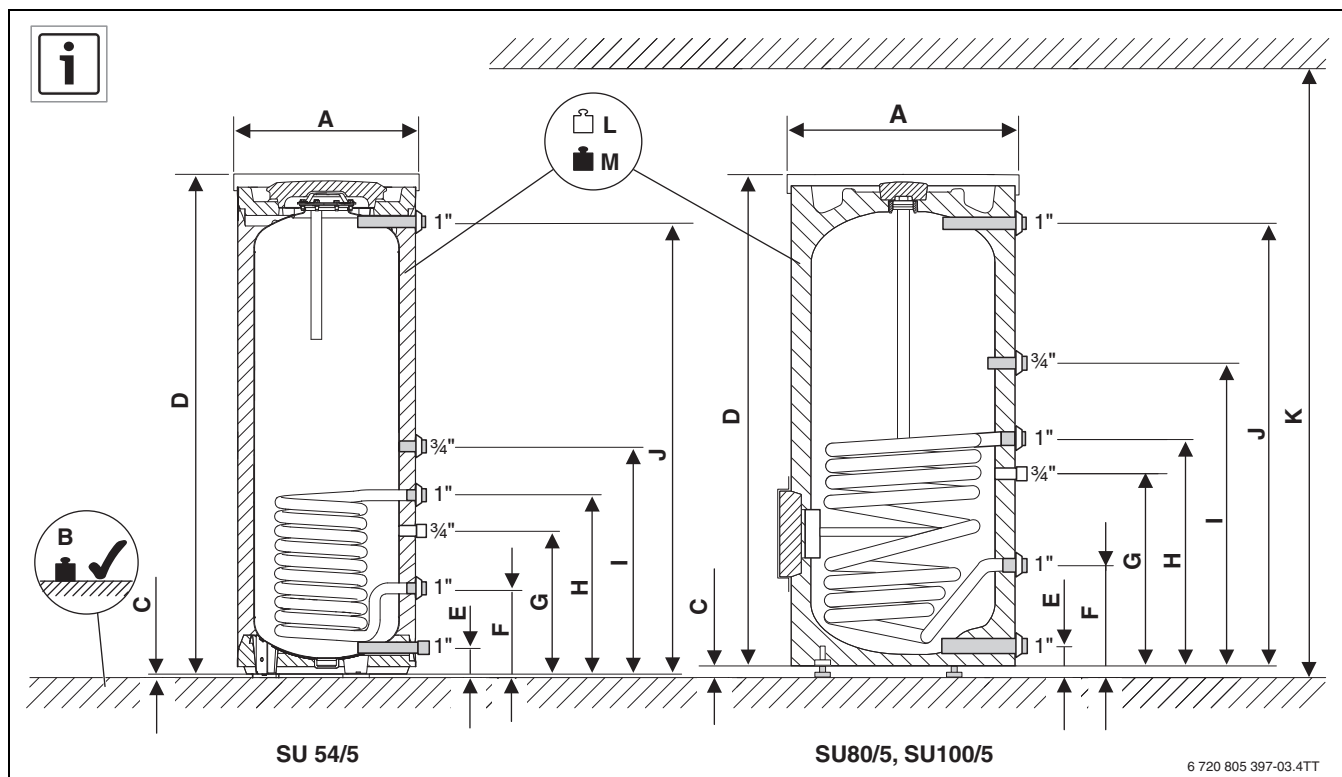


Fig. 4 Dimensions de construction et de raccordement

Pos.	Description (désignation)	Module	SU54/5	SU80/5	SU100/5
A	Diamètre	pouces (mm)	21-3/4 (550)	26-3/8 (670)	26-3/8 (670)
B	Capacité de charge minimale du sol	lb (kg)	628 (284)	893 (405)	1122 (509)
C	Hauteur des pieds	pouces (mm)	1/2 (12,5)	3/8 - 3/4 (12,5)	3/8 - 3/4 (12,5)
D	Hauteur totale	pouces (mm)	60-1/4 (1530)	58-7/8 (1495)	72-1/4 (1835)
E	Hauteur du raccord d'entrée d'eau froide	pouces (mm)	3-1/4 (80)	3-1/8 (80)	3-1/8 (80)
F	Hauteur du raccord pour le retour du ballon	pouces (mm)	10-1/2 (265)	12-1/2 (318)	12-1/2 (318)
G	Hauteur doigt de gant sonde de température	pouces (mm)	17-1/8 (433)	31-1/5 (617)	24-3/10 (793)
H	Hauteur départ chaudière	pouces (mm)	21-7/8 (553)	28-1/2 (722)	35-3/8 (898)
i	Hauteur du raccord du bouclage	pouces (mm)	27-3/4 (703)	35-1/2 (903)	45 (1148)
J	Hauteur du raccord de la sortie eau chaude sanitaire	pouces (mm)	56,4 (1399)	53-3/8 (1355)	66-3/4 (1695)
K	Hauteur minimale du local pour remplacement de l'anode	pouces (mm)	74-1/4 (1880)	72-7/8 (1850)	82-3/4 (2100)
V	Poids (à vide)	lb (kg)	160,9 (73)	231,5 (105)	282,2 (128)
M	Poids (plein)	lb (kg)	601,9 (273)	892,9 (405)	1142 (518)

Tab. 6 Dimensions de construction et de raccordement

3 Normes, prescriptions et directives



Pour l'installation et le fonctionnement, veuillez respecter toutes les prescriptions, directives et normes spécifiques locales en vigueur !



Tous les composants électriques doivent être homologués aux USA et au Canada.

4 Transport



AVERTISSEMENT : Risques d'accidents dus au soulèvement de charges lourdes et une fixation non conforme lors du transport !

- ▶ Utilisez des moyens de transport appropriés, par ex. un diable avec sangle.
- ▶ Fixer l'appareil pour éviter qu'il ne se renverse.



Transporter le ballon d'ECS vers le lieu d'installation aussi dûment emballé que possible. Il est ainsi protégé pendant le transport.

- ▶ Poser le diable contre l'arrière du ballon encore emballé.
- ▶ Fixer le ballon d'ECS sur le moyen de transport à l'aide d'une sangle.
- ▶ Transporter le ballon d'ECS vers le lieu d'installation.
- ▶ Ne pas retirer le ballon de son emballage avant qu'il ne soit posé sur son lieu d'installation.

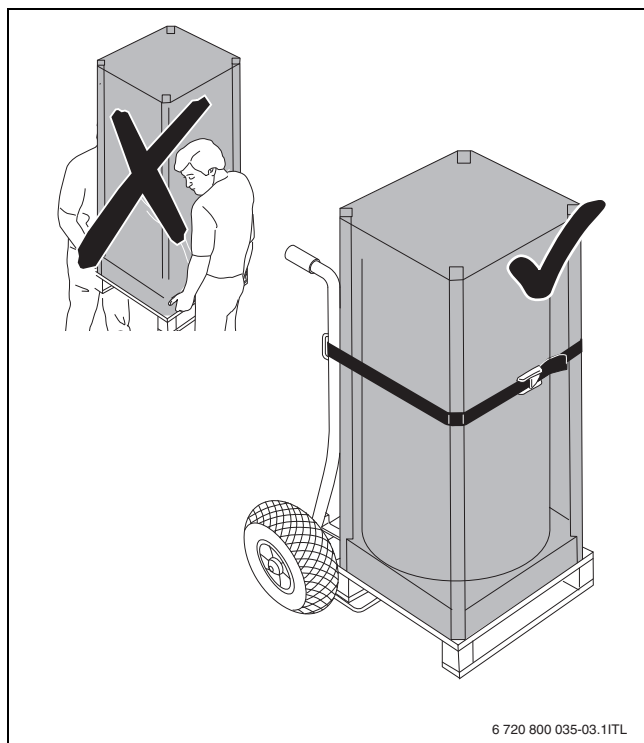


Fig. 5 Transport avec le diable

5 Montage

Le ballon d'eau chaude sanitaire est livré entièrement monté.

- ▶ Vérifier si le ballon d'eau chaude sanitaire est complet et en bon état.

5.1 Mise en place

5.1.1 Exigences requises pour le lieu d'installation



AVIS : Dégâts sur l'installation dus à une force portante insuffisante de la surface d'installation ou un sol non approprié !

- ▶ S'assurer que la surface d'installation est plane et suffisamment porteuse.



AVIS : Dégâts dus aux fissures occasionnées par les tensions et à la corrosion !

- ▶ Installer le ballon dans une pièce à l'abri du gel.
- ▶ Utiliser le ballon exclusivement dans des installations de chauffage hydronique fermées.
- ▶ Les vases d'expansion ouverts ne peuvent PAS être utilisés pour ces ballons d'ECS.



AVIS : Si les fuites peuvent provoquer des dégâts matériels ou si l'installation d'un bac d'écoulement est exigée par la loi :

- ▶ Installer un bac d'écoulement approprié.
- ▶ Respecter la notice d'installation du fabricant du bac d'écoulement.



Installer un bac d'écoulement approprié si les conditions sont exigées par la loi ou si les fuites peuvent provoquer des dégâts matériels. Respecter la notice du fabricant du bac d'écoulement.

- ▶ Poser le ballon d'eau chaude sanitaire sur un socle si de l'eau risque d'inonder le sol du local.
- ▶ Installer le ballon dans des locaux internes secs et à l'abri du gel.
- ▶ Respecter la hauteur minimale de la pièce (→ tabl. 6, page 44) et les distances minimales par rapport aux murs dans le local d'installation (→ fig. 6).
- ▶ Respecter la distance de 2" (51 mm) par rapport aux tuyaux surchauffés et aux surfaces inflammables.

5.1.2 Distances par rapport aux murs

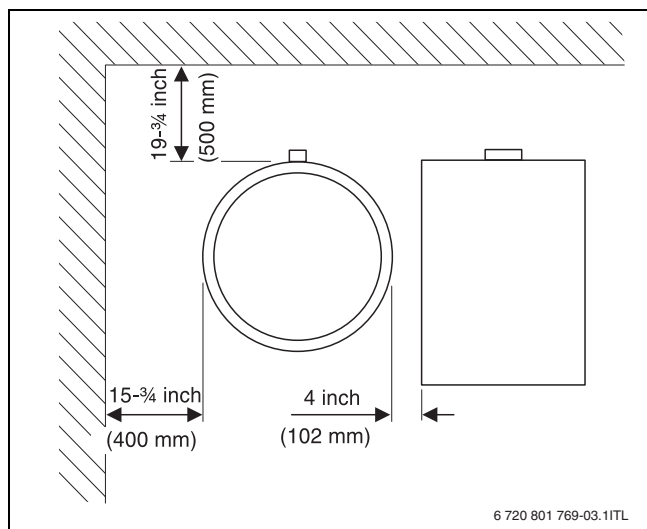


Fig. 6 Distances minimales recommandées par rapport aux murs

5.1.3 Mise en place du ballon d'eau chaude sanitaire

- ▶ Retirer le ballon de son emballage en enlevant les films, les chevrons et les rembourrages.
- ▶ Poser le rembourrage sur le sol comme support.

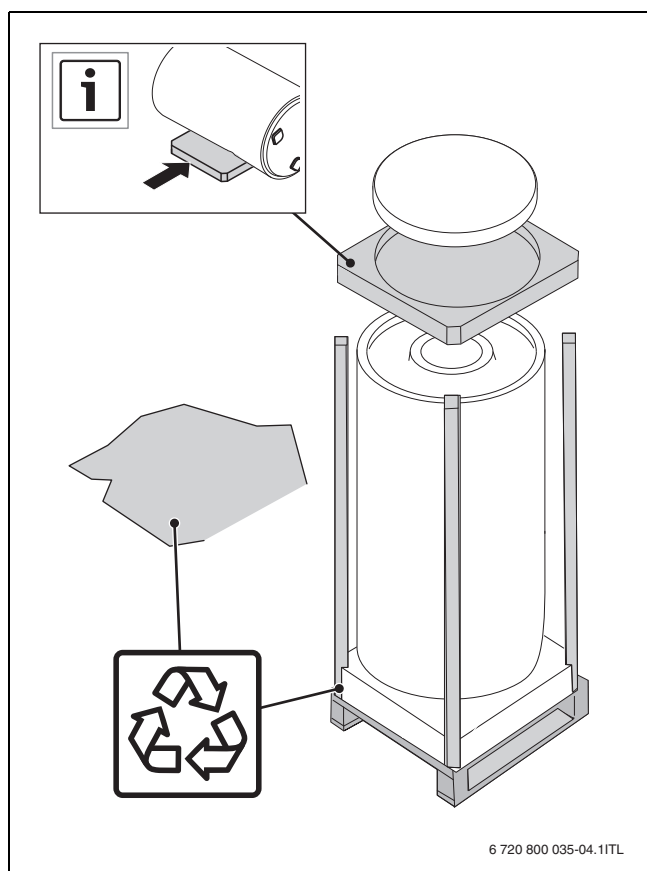


Fig. 7 Déballez le ballon ECS

- ▶ Poser le ballon avec précaution sur le rembourrage du couvercle [1].
- ▶ Découper la saillie dans le fond en polystyrène [2].

- ▶ Dévisser les pieds réglables [3].

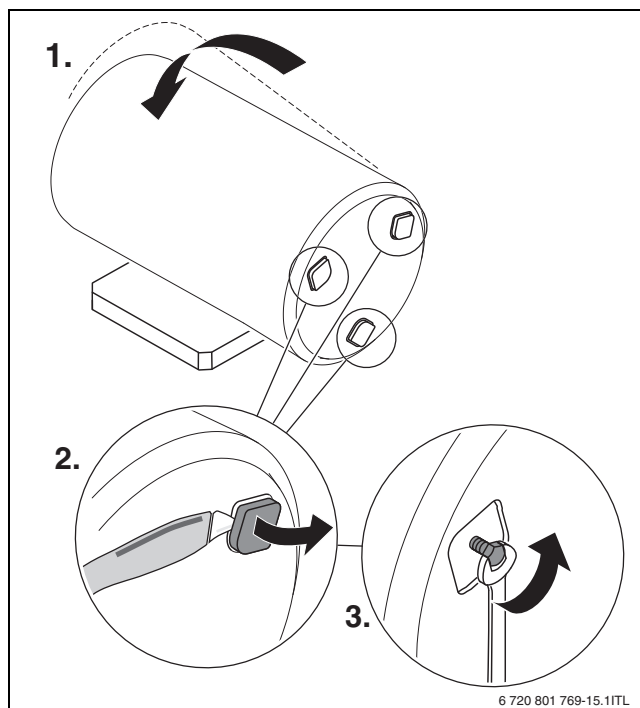


Fig. 8 Poser le ballon d'eau chaude sanitaire et dégager les pieds réglables

- ▶ Installer le ballon sur un sol plan et assez résistant.

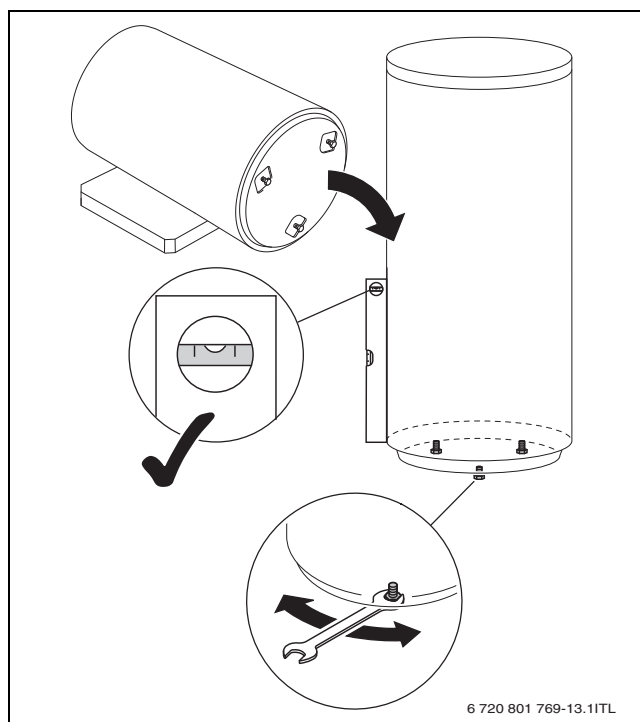


Fig. 9 Mise en place du ballon d'eau chaude sanitaire

- ▶ Veuillez respecter les distances minimales par rapport aux murs.
- ▶ Positionner le ballon d'eau chaude sanitaire verticalement au moyen des pieds réglables.

- Retirer les capuchons des raccords.

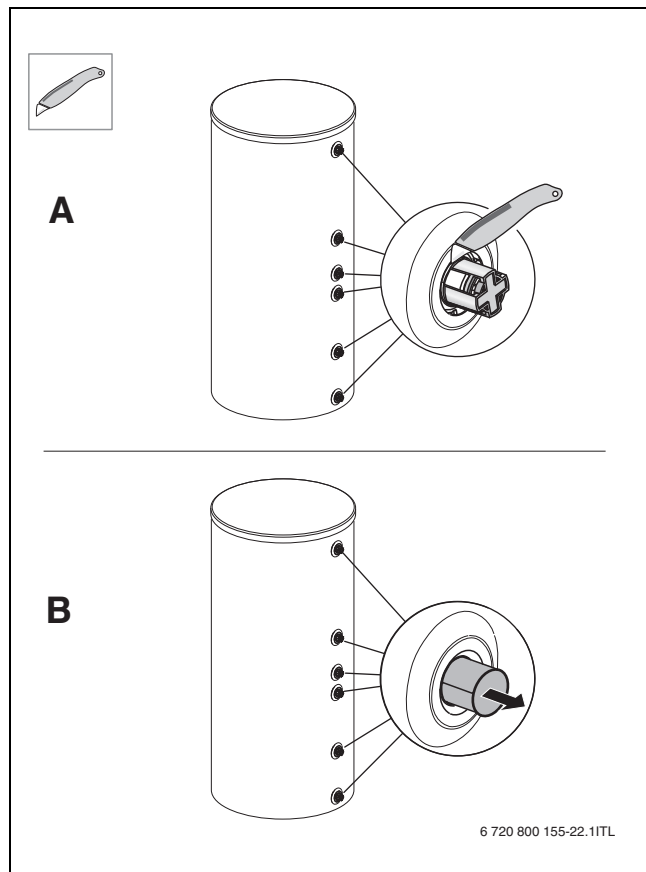


Fig. 10 Retirer les capuchons

- Étanchéifier les raccords avec une bande ou du fil téflon. Pour étanchéifier les raccords, ne pas utiliser de chanvre.

5.2 Raccordements hydrauliques



DANGER : Danger pour la santé en raison d'une eau polluée !
L'eau risque d'être polluée si les travaux de montage ne sont pas réalisés proprement.

- Installer et équiper le ballon d'eau chaude sanitaire en respectant une hygiène parfaite selon les normes et directives locales en vigueur.



AVERTISSEMENT : Risque d'incendie en raison des travaux de soudure !

- L'isolation thermique étant inflammable, prendre des mesures de sécurité appropriées pour effectuer tous les travaux de soudure. Par ex. recouvrir l'isolation thermique.
- Après les travaux, vérifier si l'habillage du ballon est intact.



AVIS : Dégâts d'eau !

- Lors du remplissage du ballon, monter la vidange côté bâtiment sur le raccord inférieur du ballon.
- Verrouiller tous les raccords inutilisés du ballon.



AVIS : Risque de corrosion dû à la détérioration de la thermovitrification !

- Serrer les raccords du ballon ECS uniquement à la main.

5.2.1 Effectuer le raccordement hydraulique du ballon d'eau chaude sanitaire

Exemple d'installation avec l'ensemble des vannes et robinets recommandés (→ fig. 11).

- Tenir compte de la contenance de l'installation de chauffage et du ballon en choisissant le vase d'expansion de l'installation de chauffage.
- Poser les câbles de la sonde de température du ballon à l'arrière du ballon en les faisant passer par l'isolation thermique de la chaudière ou du régulateur.
- Raccorder le guidage de conduites directement sur les raccords du réservoir de sorte que la circulation propre ne soit pas possible. Si nécessaire, installer les clapets anti-retour.
- Monter les conduites de raccordement sans contrainte.
- Monter les tuyaux sur les raccords du réservoir sur site.
- Contrôler l'étanchéité de tous les raccordements.

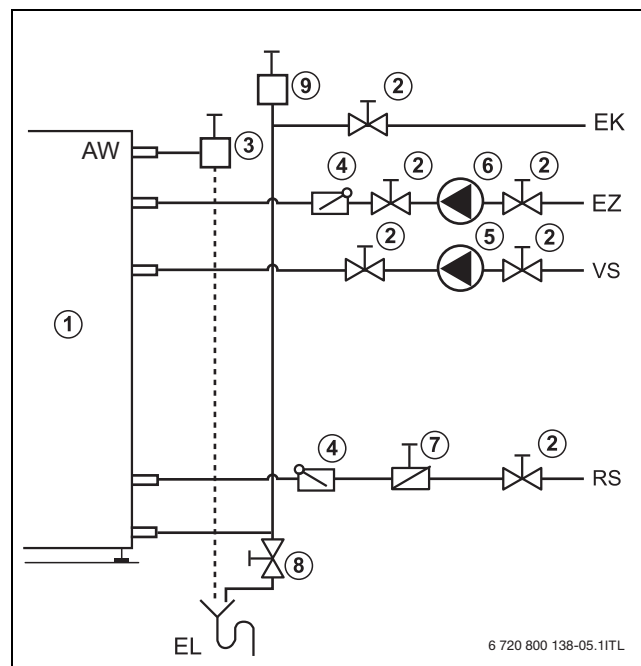


Fig. 11 Installation (schéma de principe)

- [1] Ballon ECS
- [2] Vanne d'arrêt
- [3] Soupape de sécurité P&T (combinée avec la sortie eau chaude)
- [4] Clapet anti-retour
- [5] Pompe charge ECS
- [6] Pompe de circulation (option)
- [7] Séparateur d'air
- [8] Robinet de vidange
- [9] Vase d'expansion
- [AW] Sortie eau chaude
- [EK] Entrée eau froide
- [EL] Vidange
- [EZ] Entrée bouclage
- [RS] Retour ballon ECS
- [VS] Départ ballon

5.2.2 Installer la soupape de sécurité pour la température et la pression (sur site)

- ▶ Installer une soupape de sécurité homologuée pour la température et la pression et autorisée pour l'eau potable ($\geq \frac{3}{4}$ ") sur la sortie ECS.
- ▶ Le ballon ECS doit être installé avec une soupape de sécurité neuve pour la température et la pression.
- ▶ Le dimensionnement de la soupape de sécurité pour la température et la pression doit correspondre au moins au volume indiqué du ballon.
- ▶ Tenir compte de la notice d'installation de la soupape de sécurité.
- ▶ Conduite d'écoulement de la soupape de sécurité pour la température et la pression :
 - La conduite de purge doit au moins correspondre à la section de sortie de la soupape de sécurité.
 - La conduite d'écoulement de la soupape de sécurité pour la température et la pression doit aboutir directement dans un écoulement approprié (longueur maximale : 6 ft (2 m) avec deux coudes de 90° maximum).
 - Introduire la conduite dans un écoulement approprié pour éviter les dégâts des eaux.
 - Vérifier au moins une fois par an que la soupape de sécurité pour la température et la pression est en parfait état de marche.
- ▶ Ne pas obturer la conduite de purge. Pendant le chauffage, de l'eau risque de s'écouler provisoirement, selon le fonctionnement en cours.

5.3 Monter la sonde de température du ballon (accessoire) ou l'Aquastat (accessoire).



DANGER : Danger de mort par électrocution !

- ▶ Avant de commencer les travaux : mettre l'installation hors tension.



Effectuer le branchement électrique et le réglage de la température de la sonde du ballon ECS ou de l'aquastat conformément à la notice du fabricant concerné.

Monter une sonde de température ou un aquastat pour mesurer et contrôler la température d'ECS sur le ballon.

Montage de la sonde de température d'eau chaude sanitaire

- ▶ Retirer la sonde de température du ballon des pièces fournies avec l'appareil de régulation (accessoire).
- ▶ Insérer le kit de sonde jusqu'à la butée dans le doigt de gant [5]. La spirale en plastique [3] qui réunit le kit de sonde se rétracte automatiquement.

Le ressort compensateur [4] permet de garantir le contact entre le doigt de gant et les surfaces de la sonde et, par conséquent, d'assurer une bonne transmission de la température.



Veiller impérativement à ce que la surface de la sonde soit en contact avec le doigt de gant sur toute la longueur.

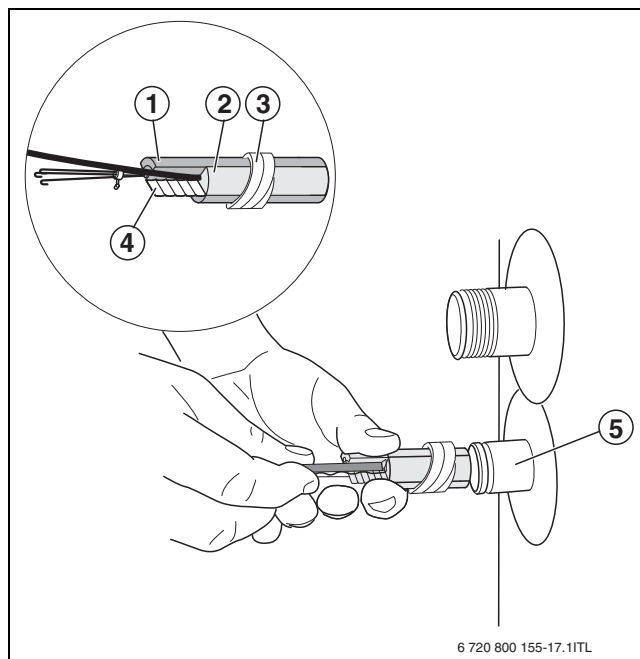


Fig. 12 Montage de la sonde de température d'eau chaude sanitaire

- [1] Pièce borgne quart de rond
- [2] Sonde de température
- [3] Spirale en plastique
- [4] Ressort compensateur
- [5] Doigt de gant

- ▶ Glisser l'arrêt de sécurité [1] par le côté sur le doigt de gant [2].
- ▶ Amener le câble de sonde jusqu'à la chaudière et à l'appareil de régulation, mettre un serre-câble en place si nécessaire. La conduite ne doit pas entrer en contact avec des parties chaudes de la chaudière.
- ▶ Si les sondes utilisées ne sont pas équipées de ressort compensateur, remplir l'espace vide dans le doigt de gant avec une quantité suffisante de pâte thermoconductrice.

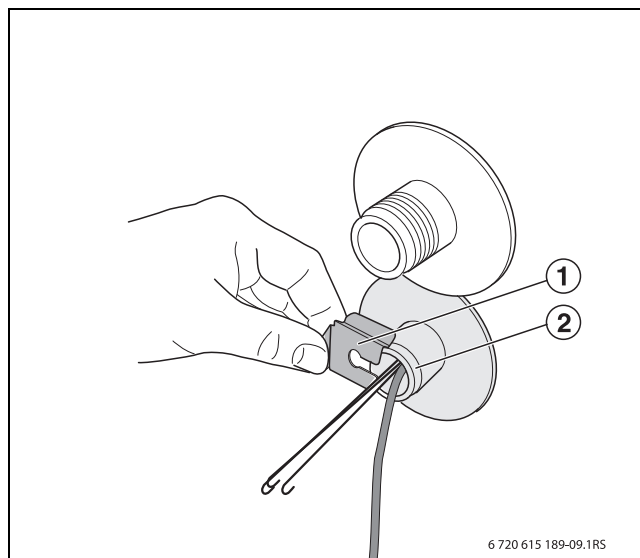


Fig. 13 Montage de l'arrêt de sécurité de la sonde

- [1] Arrêt de sécurité
- [2] Doigt de gant

Montage de l'aquastat

- Retirer le couvercle de l'aquastat. Dans ce cas, desserrer la vis à tête hexagonale sur la face supérieure.
- Le cas échéant, retirer la fixation existante. Visser le support [3] sur l'Aquastat [2] à l'aide de deux vis à tôle [1].

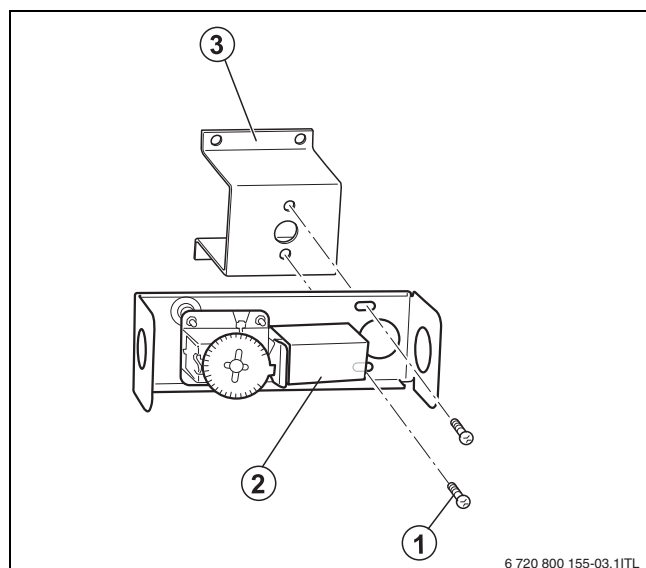


Fig. 14 Visser le support sur l'Aquastat

- [1] Vis à tôle
- [2] Aquastat
- [3] Support

- Insérer la sonde de température [4] avec le ressort compensateur [3] dans le doigt de gant [5].
- Visser le support [6] avec 4 vis à tôle [1] sur le ballon d'eau chaude sanitaire.
- Remonter le couvercle sur l'aquastat [2].

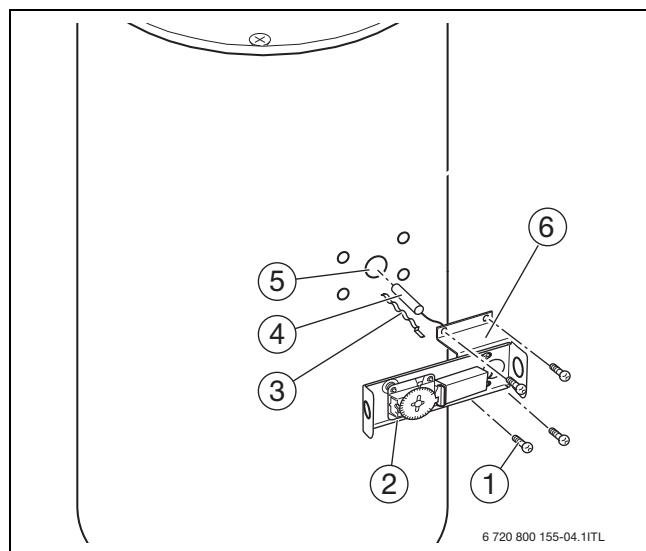


Fig. 15 Montage de l'aquastat

- [1] Vis à tôle
- [2] Aquastat
- [3] Ressort compensateur
- [4] Sonde de température
- [5] Doigt de gant
- [6] Support

Monter les composants kit B

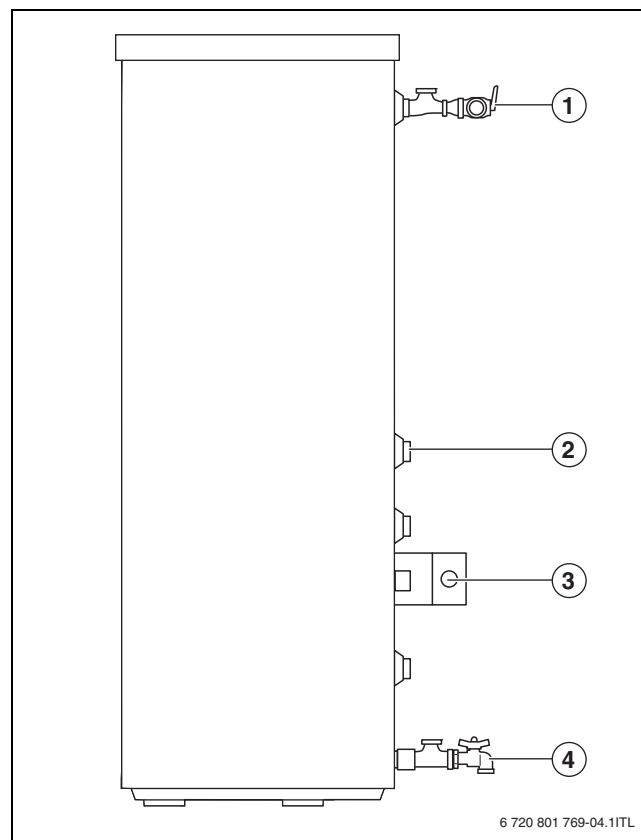


Fig. 16 Monter les composants kit B

- [1] Té de raccordement 1" x 1" x 3/4" (2x) avec soupape de sécurité T&D
- [2] Capuchon 3/4" pour raccord bouclage
- [3] Support avec Aquastat
- [4] Té de raccordement avec robinet de remplissage et de vidange

6 Mise en service



AVIS : Dégâts sur l'installation dus à une surpression !
La surpression peut fissurer dans l'émailage.

- ▶ Ne jamais obturer la conduite de purge de la soupape de sécurité pour la température et la pression.

6.1 Mise en service du ballon d'eau chaude sanitaire

La mise en service doit être effectuée par le fabricant de l'installation ou un spécialiste mandaté.

- ▶ Mettre en service la chaudière et les autres accessoires en respectant les consignes du fabricant indiquées dans la notice d'installation et la notice d'utilisation correspondantes.



Effectuer le contrôle d'étanchéité du ballon d'eau chaude sanitaire exclusivement avec de l'eau potable. La pression d'essai côté ECS ne doit pas dépasser 150 psi (10,3 bar de surpression).

- ▶ Pour purger le ballon d'ECS, ouvrir le robinet situé au point le plus élevé.
- ▶ Ouvrir la vanne d'arrêt pour l'entrée de l'eau froide pour remplir le chauffe-eau.
- ▶ Rincer soigneusement les conduites et le ballon avant la mise en service.
- ▶ Avant la mise en température, vérifier si la chaudière, le ballon d'ECS et les conduites sont remplies d'eau. Pour ce faire, ouvrir la vanne de purge.
- ▶ Contrôler l'étanchéité de tous les raccordements, de la tuyauterie et de la trappe de visite.

7 Mise hors service



AVIS : Dégâts sur le ballon !
Corrosion due à l'humidité résiduelle.

- ▶ Bien sécher la partie interne (par ex. à l'air chaud) et laisser le couvercle de la trappe de visite ouvert.

7.1 Mise hors service du ballon d'eau chaude sanitaire

- ▶ Couper le régulateur de température sur l'appareil de régulation, arrêter l'installation avec l'interrupteur d'urgence ou la mettre hors circuit avec le fusible principal.



AVERTISSEMENT : Brûlures dues à l'eau chaude !

- ▶ Laisser le ballon se refroidir suffisamment.

- ▶ Fermer la vanne d'arrêt pour l'alimentation d'eau froide.
- ▶ Vidanger le ballon d'eau chaude sanitaire par le robinet de vidange en ouvrant le robinet situé au point le plus élevé.
- ▶ Fermer les vannes d'arrêt vers et depuis la chaudière.
- ▶ Mettre l'échangeur thermique hors pression.
- ▶ Vidanger l'échangeur thermique.
- ▶ Pour éviter la corrosion, sécher soigneusement l'espace intérieur et laisser le couvercle de la trappe de visite ouvert.

7.2 Mise hors service de l'installation de chauffage en cas de risques de gel

- ▶ Mise hors service de l'installation de chauffage et du ballon d'eau chaude sanitaire conformément au chap. 7.1.



Vidanger le ballon entièrement, même la partie inférieure et le serpent.

8 Protection de l'environnement/ Recyclage

La protection de l'environnement est un principe fondamental du groupe Bosch.

Pour nous, la qualité de nos produits, la rentabilité et la protection de l'environnement constituent des objectifs aussi importants l'un que l'autre. Les lois et les règlements concernant la protection de l'environnement sont strictement observés.

Pour la protection de l'environnement, nous utilisons, tout en respectant les aspects économiques, les meilleures technologies et matériaux possibles.

Emballage

En ce qui concerne l'emballage, nous participons aux systèmes de recyclage des différents pays, qui garantissent un recyclage optimal.

Tous les matériaux d'emballage utilisés respectent l'environnement et sont recyclables.

Appareils électriques et électroniques usagés



Les appareils électriques et électroniques hors d'usage doivent être collectés séparément et soumis à une élimination écologique (directive européenne sur les appareils usagés électriques et électroniques).

Pour l'élimination des appareils électriques et électroniques usagés, utiliser les systèmes de renvoi et de collecte spécifiques au pays.

9 Entretien

- ▶ Laisser suffisamment refroidir le ballon d'eau chaude sanitaire avant toute tâche d'entretien.
- ▶ Remédier immédiatement aux défauts.
- ▶ N'utiliser que des pièces de rechange d'origine !
- ▶ Inspecter le ballon une fois par an et faire la maintenance si nécessaire.
- ▶ Contrôler une fois par an la soupape de sécurité pour la température et la pression.

9.1 Préparer le ballon d'eau chaude sanitaire pour le nettoyage

Les ballons SU80/5 et SU100/5 sont nettoyés par la trappe de visite latérale. Le ballon ECS SU54/5 est nettoyé par la trappe de visite supérieure.



AVERTISSEMENT : Brûlures dues à l'eau chaude !

- ▶ Laisser refroidir le ballon suffisamment avant de le nettoyer.

- ▶ Mettre l'installation de chauffage hors tension.
- ▶ Vidanger le ballon. Dans ce cas, fermer la vanne d'arrêt de l'entrée d'eau froide et ouvrir le robinet de vidange. Pour la purge, ouvrir le vanne de ventilation et de purge ou le robinet situé au point le plus élevé.
- ▶ Retirer le recouvrement de l'habillage PS (SU54/5) (→ fig. 17, page 51, [1]) ou le couvercle de la trappe de visite (SU80/5, SU100/5) (→ fig. 18, page 51, [1]) du ballon d'eau chaude sanitaire.
- ▶ Desserrer les vis à tête hexagonale [2] du couvercle [3].

- ▶ Retirer le couvercle de la trappe de visite [3], l'anode en magnésium [5] et le joint du couvercle de la trappe de visite [4].

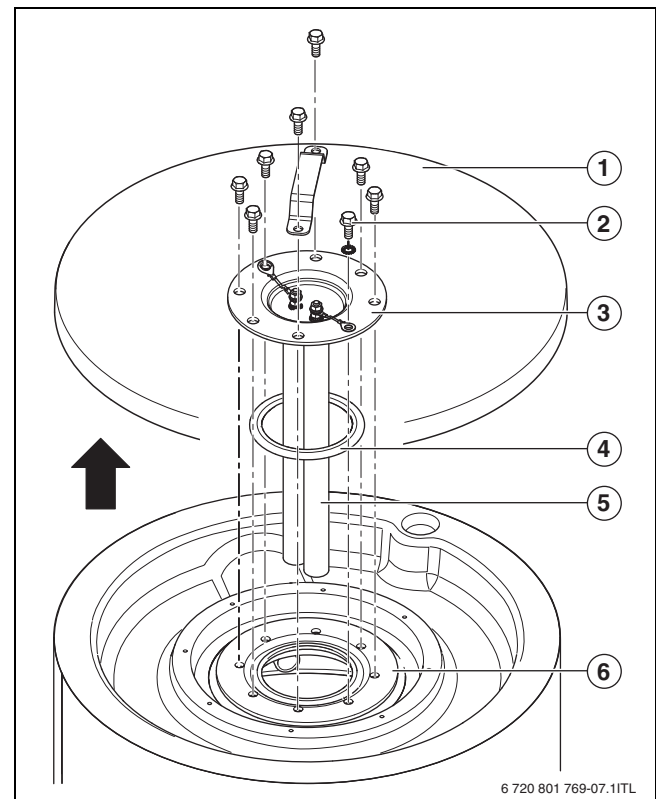


Fig. 17 Démontez le couvercle de la trappe de visite SU54/5

- [1] Couvercle de l'habillage PS
- [2] Vis à tête hexagonale
- [3] Couvercle de la trappe de visite
- [4] Joint du couvercle de la trappe de visite
- [5] Anodes en magnésium
- [6] Trappe de visite

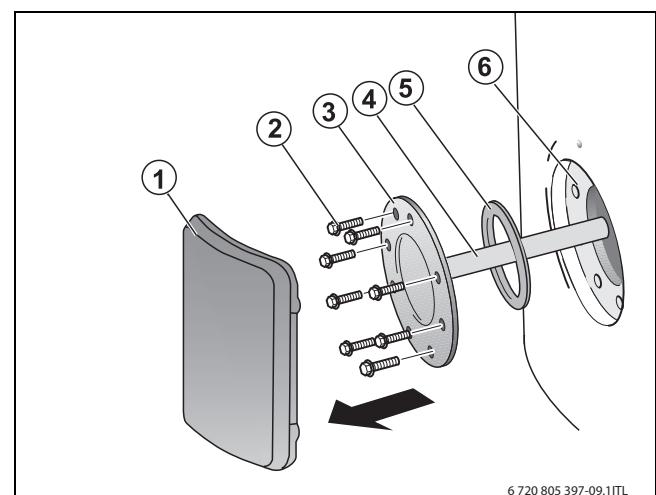


Fig. 18 Démontez le couvercle de la trappe de visite SU80/5, SU100/5

- [1] Couvercle de la trappe de visite
- [2] Vis à tête hexagonale
- [3] Couvercle de la trappe de visite
- [4] Anode en magnésium
- [5] Joint du couvercle de la trappe de visite
- [6] Trappe de visite

9.2 D tarter/nettoyer le ballon d'eau chaude sanitaire

- V rifier la pr sence de d p ts calcaires dans la partie interne du ballon d'eau chaude sanitaire.



AVIS : D g ts sur le ballon dus   la d t rioration de la surface interne !

- Ne pas utiliser d'objets durs ou coupants pour nettoyer la paroi interne

Si des d p ts calcaires sont pr sents   l'int rieur du ballon eau chaude sanitaire, proc der comme suit :

- Pulv risez la partie interne du ballon d'eau chaude sanitaire avec un jet d'eau froide « puissant » (surpression d'env. 58 – 72,5 psi (4 – 5 bars)).

Si vous r chauffez l' changeur thermique du ballon vidang  avant de le pulv riser, vous pouvez augmenter l'effet du nettoyage. L'effet de choc thermique permet de mieux d tacher les d p ts calcaires de l' changeur thermique   tubes lisses.

-  liminer les r sidus avec un aspirateur humide/sec   tuyau d'aspiration en mati re plastique.

Si les d p ts de calcaire dans le ballon d'eau chaude sanitaire forment des d p ts calcaires tr s importants, ces derniers peuvent  tre  limin s avec un nettoyage chimique. Nous vous recommandons de le faire faire par un professionnel.

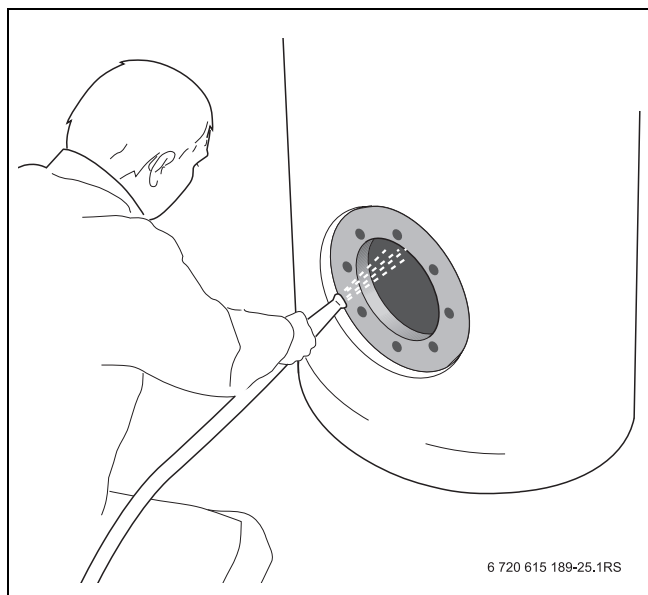


Fig. 19 Rincer le ballon en le pulv risant, suivant l'exemple SU80/5, SU100/5

9.3 Contr ler l'anode en magn sium



Si l'anode en magn sium n'est pas entretenue correctement, la garantie est supprim e.

Les donn es enregistr es annuellement dans le cadre de la maintenance doivent  tre conserv es dans un lieu s r et pr sent es avec la facture originale en cas de probl me de garantie.

L'anode en magn sium prot ge le ballon d'eau chaude sanitaire contre la corrosion. Pour v rifier si l'anode en magn sium doit  tre remplac e, il faut la contr ler une fois par an.

La surface de l'anode en magn sium ne doit pas pr senter de d p ts. Remplacer l'anode en magn sium dans les cas suivants :- Formation de d p ts,- Augmentation de la surface en raison des d p ts,- R duction du diam tre   moins de 5/8" (15 mm).

Dans diff rents cas, il peut s'av rer n cessaire de remplacer l'anode en magn sium   intervalle plus courts :

- Raccord bouclage
- Mauvaise qualit  de l'eau
- Corrosion galvanique /  lectrolytique
- D bits  lev s

Si la qualit  de l'eau est mauvaise, nous recommandons un traitement de l'eau par un professionnel.



Ne pas mettre la surface du tube au magn sium en contact avec de l'huile ou de la graisse.

- Travailler dans un souci de propret  absolue.

9.3.1 Contr ler l'anode en magn sium sup rieure (SU80/5, SU100/5)

- Retirer le couvercle de l'habillage PS si ce n'est pas encore le cas.
- D visser les anodes en magn sium.
- V rifier l'usure de l'anode en magn sium.
- Si le diam tre est r duit   env. 5/8" (15 mm), remplacer l'anode en magn sium.
- Remettre les anodes en magn sium dans le manchon en les tournant.

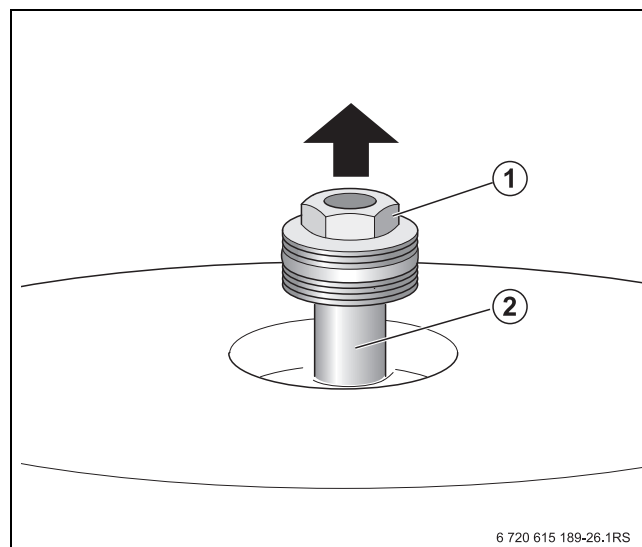


Fig. 20 Contr ler l'anode en magn sium sup rieure SU80/5, SU100/5

- [1] Vis   t te hexagonale
- [2] Anode en magn sium

9.3.2 Contr ler l'anode en magn sium sup rieure (SU54/5)

- D monter la trappe de visite (→ fig. 17, page 51) si ce n'est pas encore le cas.
- V rifier les anodes en magn sium.
- Si le diam tre est r duit   env. 5/8" (15 mm), remplacer l'anode en magn sium.
- Pour d tacher l'anneau du c ble de mise   la terre [8], d visser l' crou M8 [9].
- D visser l' crou M8 [7].
- Retirer le couvercle de la trappe de visite [3] de l'anode en magn sium [1].

- Monter la nouvelle anode en magnésium avec les pièces jointes à la livraison (→ fig. 21).

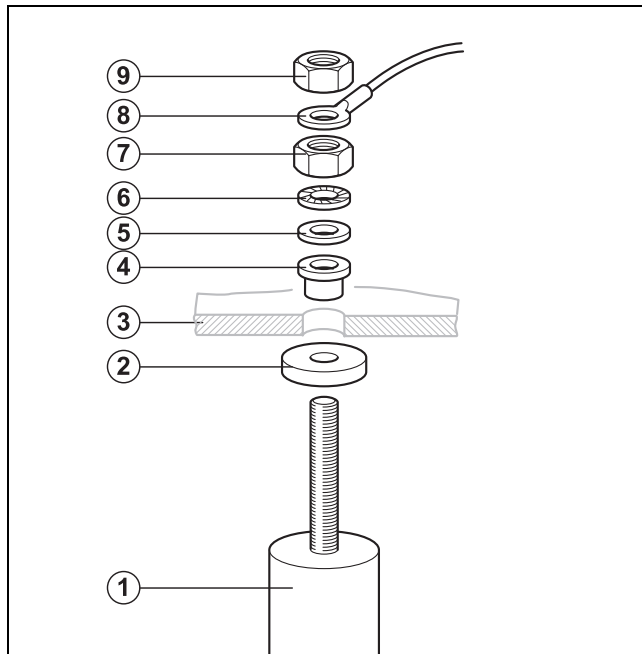


Fig. 21 Remplacer l'anode en magnésium

- [1] Anode en magnésium
- [2] Joint
- [3] Couvercle de la trappe de visite
- [4] Gaine de protection
- [5] Rondelle en U
- [6] Rondelle dentelée
- [7] Écrou M8
- [8] Anneau du câble de mise à la terre
- [9] Écrou M8

9.3.3 Contrôler l'anode en magnésium latérale (SU80/5, SU100/5)

- Vidanger le ballon comme décrit au chap. 9.1, page 51.
- Démontez la trappe de visite (→ fig. 17, page 51) si ce n'est pas encore le cas.
- Vérifier les anodes en magnésium.
- Si le diamètre est réduit à env. ½" (15 mm), remplacer l'anode en magnésium.
- Pour détacher l'anneau du câble de mise à la terre [8], dévisser l'écrou M8 [9].
- Dévisser l'écrou M8 [7].
- Retirer le couvercle de la trappe de visite [3] de l'anode en magnésium [1].
- Monter la nouvelle anode en magnésium avec les pièces jointes à la livraison (→ fig. 21).

9.4 Mise en service après maintenance



AVIS : Dégâts sur le ballon dus à des joints défectueux !

- Pour éviter les fuites sur le ballon, monter un joint neuf sur le couvercle de la trappe de visite après le nettoyage et l'entretien.

- Remettre en place le couvercle de la trappe de visite [4] de côté ou en haut avec un nouveau joint [2].
- Visser à la main les vis à tête hexagonale [5] sur le couvercle [4].
- Puis resserrer les vis à tête hexagonale à fond avec une clé dynamométrique de 18-22 lbf-ft (25 – 30 Nm).
- Remplir le ballon d'ECS et remettre l'installation de chauffage en service.
- Contrôler l'étanchéité de tous les raccords et de la trappe de visite.
- Mettre le couvercle de la trappe de visite en place.
- Remettre le couvercle de l'habillage PS sur le ballon.

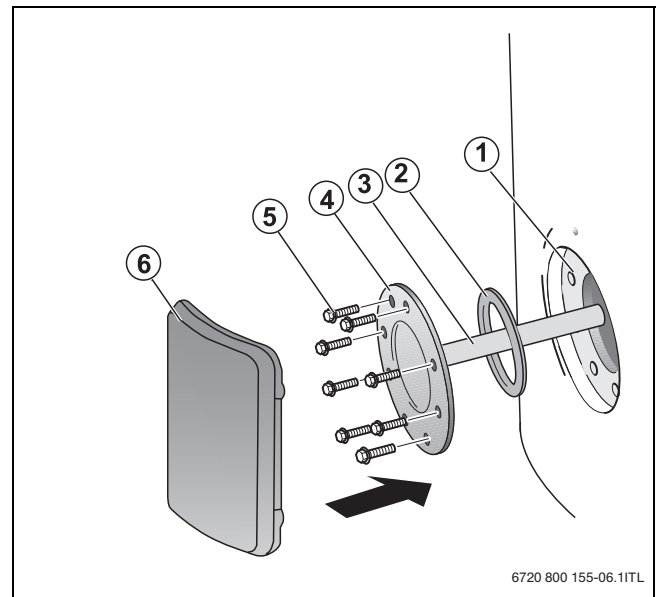
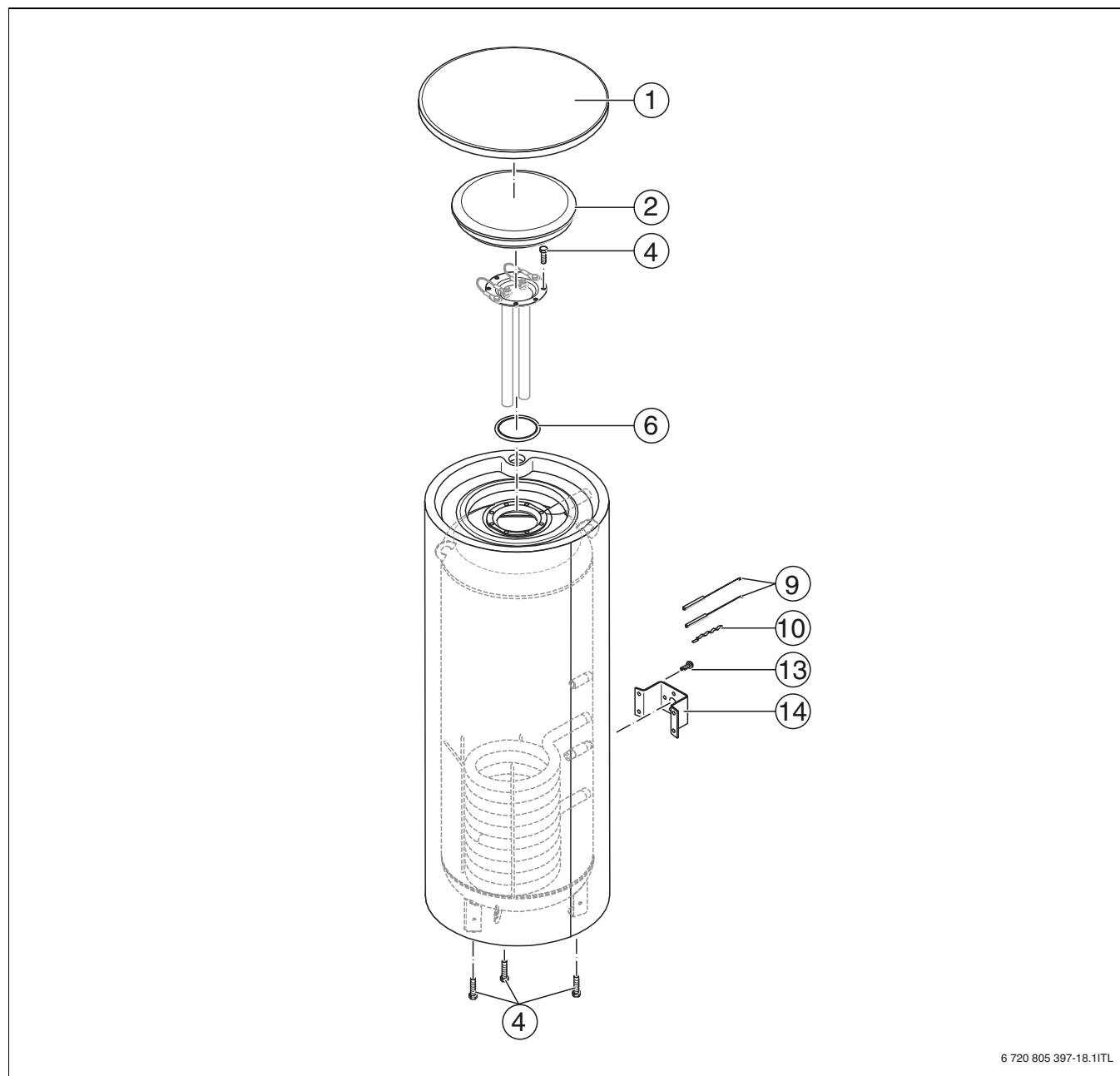


Fig. 22 Montage de l'orifice de contrôle

- [1] Trappe de visite
- [2] Joint du couvercle de la trappe de visite
- [3] Anode en magnésium
- [4] Couvercle de la trappe de visite
- [5] Vis à tête hexagonale
- [6] Couvercle de la trappe de visite

10 Pièces de rechange

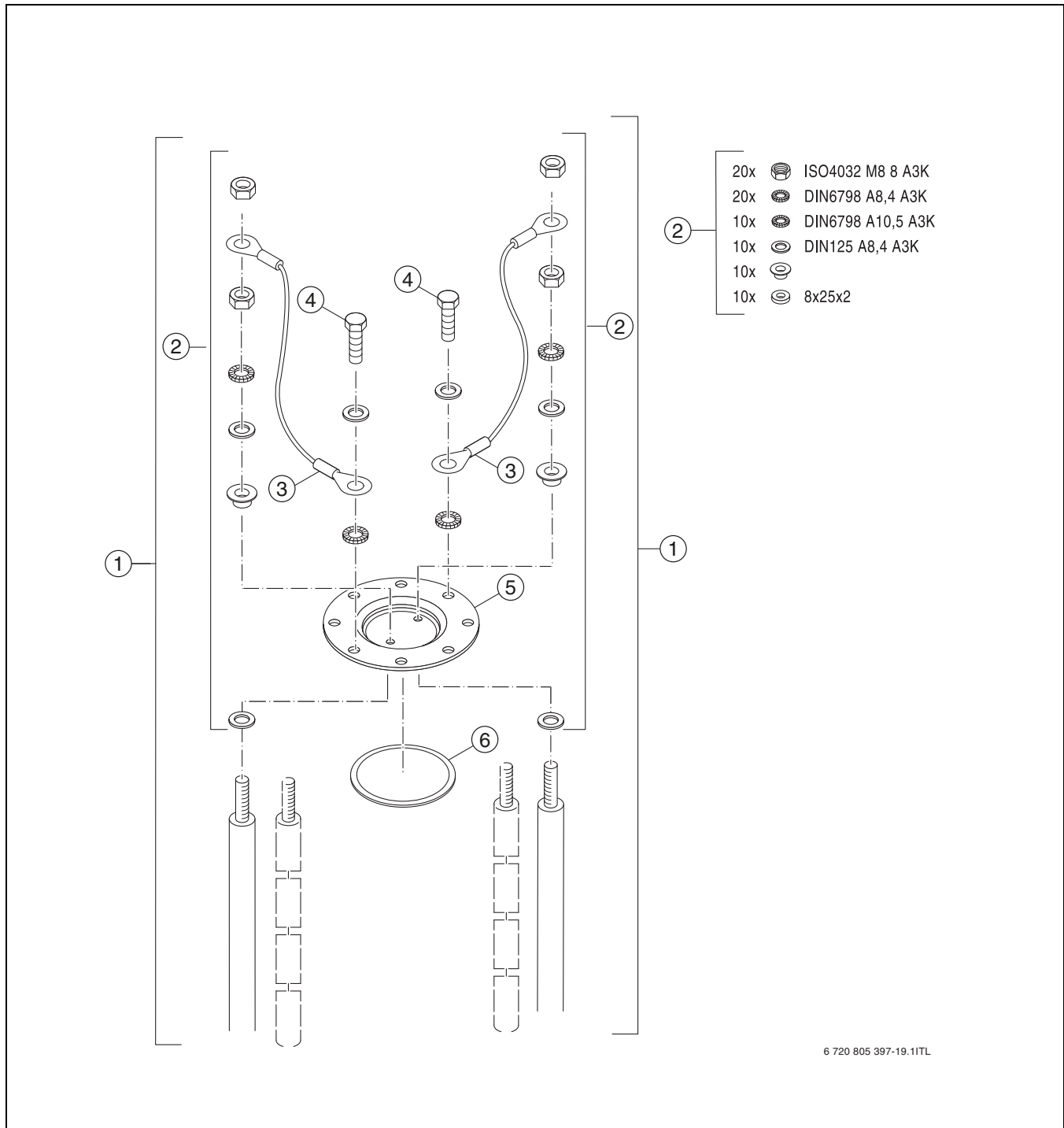


6 720 805 397-18.1ITL

Fig. 23 Pièces de rechange pour SU54/5

Pos.	Désignation d'article	N° d'art.
1	Recouvrement D550 couvercle noir	8 718 542 319 0
2	Bouchon EPS partie supérieure D370	8 718 541 763 0
4	Vis 6 pans M10x25, auto-taraudeuse (8x)	7 747 005 744
6	Joint torique 120,02x6,99-N	8 718 572 538 0
9	Pièce borgne 1/4 de rond (1x)	8 718 585 547
10	Ressort compensateur (5x)	8 718 585 143
13	Vis à tôle an acier 4,2x13 (10x)	7 747 027 696
14	Tôle de maintien pour l'Aquastat	7 747 028 761 0
	Logo Buderus	8 718 541 573 0

Tab. 7

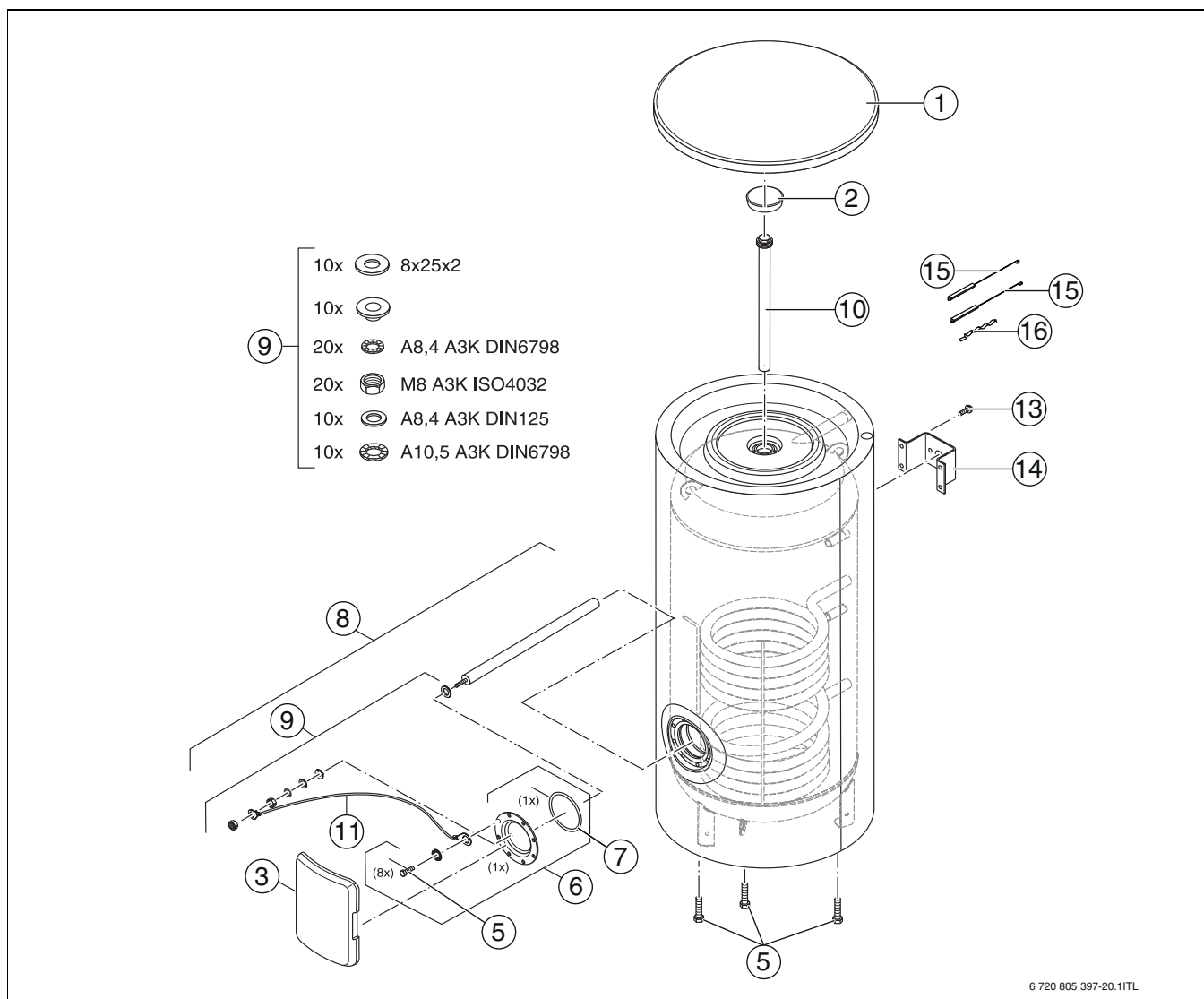


6 720 805 397-19.1ITL

Fig. 24 Pièces de rechange pour SU54/5

Pos.	Désignation d'article	N° d'art.
1	Anode à chaîne 3 maillons 558/528 mm M8	63020947
1	Anode D33x400mm (1x)	8 718 571 568 0
2	Kit de fixation de l'anode (10x)	5264278
3	Câble de mise à la terre de l'anode isolée	63037168
4	Vis 6 pans M10x25, auto-taraudeuse (8x)	7 747 005 744
5	Couvercle de la trappe de visite DN120 SA5 thermovitrifié	8 718 543 791 0
6	Joint torique 120,02x6,99-N	8 718 572 538 0

Tab. 8



6 720 805 397-20.1ITL

Fig. 25 Pièces de rechange pour SU80/5, SU100/5

Pos.	Désignation d'article	N° d'art.
1	Recouvrement D670 couvercle noir	8 718 541 369 0
2	Bouchon, EPS partie supérieure D672.5	8 718 541 767 0
3	Isolation trappe de visite D670 noire	8 718 542 063 0
5	Vis 6 pans M10x25, auto-taraudeuse (8x)	7 747 005 744
6	Couvercle de la trappe de visite DN120 pour l'anode	7 747 004 739
7	Joint torique 120,02x6,99-N	8 718 572 538 0
8	Anode D33x400 mm	8 718 571 568 0
9	Kit de fixation de l'anode (10x)	5264278
10	Anode G1 1/2x575 sans isolation D=33 (80 gal.)	8 718 542 779 0
10	Anode G1 1/2x750 sans isolation D=33 (100 gal.)	8 718 542 778 0
11	Câble de mise à la terre de l'anode isolée	63037168
13	Vis à tôle an acier 4,2x13 (10x)	7 747 027 696
14	Tôle de maintien pour l'Aquastat	7 747 028 761 0
15	Pièce borgne 1/4 de rond (1x)	8 718 585 547
16	Ressort compensateur (5x)	8 718 585 143
	Logo Buderus	8 718 541 573 0

Tab. 9

Notes

Notes

Notes

United States and Canada

Bosch Thermotechnology Corp.
50 Wentworth Avenue
Londonderry, NH 03053
Tel. 603-552-1100
Fax 603-965-7581
www.buderus.us
U.S.A.

Products manufactured by
Bosch Thermotechnik GmbH
Sophienstrasse 30-32
D-35576 Wetzlar
www.bosch-thermotechnology.com

Bosch Thermotechnology Corp. reserves the right
to make changes without notice due to continuing
engineering and technological advances.

Les États Unis et le Canada

Bosch Thermotechnology Corp.
50 Wentworth Avenue
Londonderry, NH 03053
Tel. 603-552-1100
Fax 603-965-7581
www.buderus.us
Les États Unis

Produits fabriqués par
Bosch Thermotechnik GmbH
Sophienstrasse 30-32
D-35576 Wetzlar
www.bosch-thermotechnology.com

Dans le but d'améliorer continuellement ses produits,
Bosch Thermotechnology Corp. se réserve le droit de
procéder à des modifications techniques sans préavis.

España

Robert Bosch España S.L.U.
Bosch Termotecnia (TT/SEI)
Hnos. García Noblejas, 19
28037 Madrid
Información General: 902 996725
www.buderus.es

México

Robert Bosch, S. de R.L. de C.V.
RBME/STT - BUDERUS
Circuito González Camarena No. 333
Col. Centro de Ciudad Santa Fe.
Del. Álvaro Obregón
C.P. 01210, México, D.F.
Tel: + 52 55 5284 3089
Fax: + 52 55 5284 3077
www.buderus.com.mx
buderus.comercial@mx.bosch.com

Buderus