

Bosch Remote Control

7736504945 [with Wi-Fi] | 7736504946



BOSCH

For: T9800SE 160/T9800SE 199/T9800SEO 160/T9800SEO
199/T9900SE 160/T9900SE 199/T9900i SE 199

Contents

1	Explanation of symbols and safety instructions	4
1.1	Guideline to symbols	4
1.2	Safety instructions	6
2	Remote control Kit	7
2.1	Scope of delivery, 7736504945 with Wi-Fi	7
2.2	Scope of delivery, 7736504946 without Wi-Fi	8
2.3	Certification	8
3	Technical data	9
4	Installation	10
4.1	Proper location for installation	10
4.2	Mounting the remote control on the wall	10
4.2.1	Power connection	14
5	Controls	16
5.1	Power	17
5.2	Temperature selection	18
5.2.1	Programming the default setpoint temperature	20
5.3	Main menu structure	21
5.4	Service menu structure	22
5.5	Information /Adjustments menu	23

5.5.1	“P4” - Information	23
5.5.2	“P9” - Purge	25
5.5.3	SA - Settings	25
5.5.4	AU - Technical Settings	39
5.6	Service menu - AU Technical Settings	40
5.7	Factory default settings	42
5.8	Water actuators calibration	42
5.8.1	MF main valve auto calibration	42
5.8.2	BP bypass valve auto calibration	43
<hr/>		
6	Troubleshooting	44
6.1	Error codes diagnostics	44
6.2	Remote control doesn't turn on	44
6.3	Error symbol	44
<hr/>		
7	Environment / disposal	45

Safety instructions

- ▶ Read the following instructions very carefully to ensure correct operation.
- ▶ Follow safety instructions.

1 Explanation of symbols and safety instructions

1.1 Guideline to symbols

Warnings



Warnings in this document are identified by a warning triangle printed against a grey background. Keywords at the start of a warning indicate the type and seriousness of the ensuing risk if measures to prevent the risk are not taken.

Keywords at the start of a warning indicate the type and seriousness of the ensuing risk if measures to prevent the risk are not taken. The following keywords are defined and can be used in this document:

- **DANGER** indicates a hazardous situation which, if not avoided, will result in death or serious injury.
- **WARNING** indicates a hazardous situation which, if not avoided, could result in death or serious injury.
- **CAUTION** indicates a hazardous situation which, if not avoided, could result in minor to moderate injury.



NOTICE: Contains no warning triangle and indicates a situation that could result in damage to property or equipment, but no personal injury.

Important information



This symbol indicates important information where there is no risk to people or property.

Important information for the proper use of the boiler is also provided in this manual. You will find the information with a symbol shown on the left and bordered by horizontal lines above and below the text.

Additional symbols

Symbol	Explanation
▶	Sequence of steps
→	Cross-reference to other points in this document or to other documents
•	Listing/list entry
–	Listing/list entry (2nd level)

Table 1

1.2 Safety instructions

These installation instructions are intended for competent persons who are skilled in dealing with water installations, heating and electrical systems.

- ▶ Read the installation instructions before starting the installation.
- ▶ Observe safety instructions and warnings.
- ▶ Observe national and regional regulations, technical rules and guidelines.
- ▶ Document all work performed.

Designated use

- ▶ Use the product only to control heating systems in single- or multi-family dwellings.

Any other use is considered improper. Any resulting damage is excluded from the manufacturer's warranty.

Installation, commissioning and maintenance

Installation, commissioning and maintenance may be performed only by a licensed contractor.

- ▶ Never install the product in wet areas.
- ▶ Install only genuine spare parts.

Electric work

- ▶ Ensure that only an authorized contractor performs electrical work.
- ▶ Before performing electrical work, disconnect the power and secure the unit against unintentional reconnection.
- ▶ Ensure the system has been disconnected from the power supply.

Handing over to the operator

Installing contractor - Please train the end user in proper use of this product.

- ▶ Explain operation – especially all safety-related actions.
- ▶ Point out that conversion or repair may be carried out only by a licensed contractor.
- ▶ Provide a copy of these installation and operating instructions to the end user for future reference.

Risk of damage from frost

The system can freeze if it is switched off:

- ▶ Observe the instructions for frost protection.
- ▶ Always leave the system switched on for additional functions.
- ▶ Immediately correct any faults that occur.

2 Remote control Kit

2.1 Scope of delivery, 7736504945 with Wi-Fi

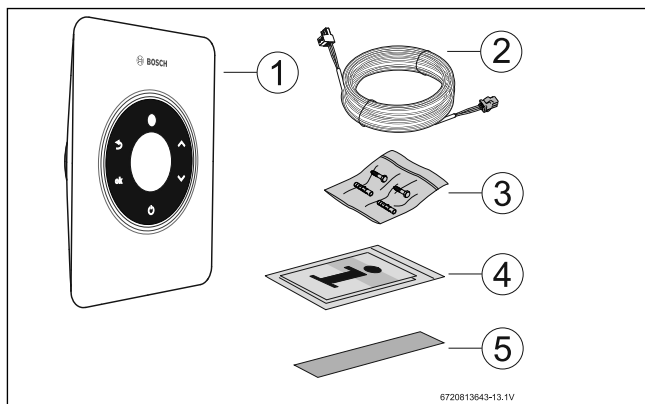


Fig. 1 Scope of delivery

- [1] Remote control
- [2] Connection cable
- [3] Screws
- [4] Documentation
- [5] Label

2.2 Scope of delivery, 7736504946 without Wi-Fi

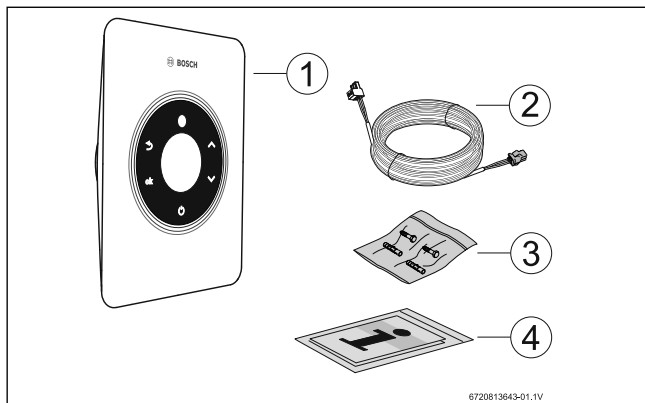


Fig. 2 Scope of delivery

- [1] Remote control
- [2] Connection cable
- [3] Screws
- [4] Documentation

2.3 Certification

Wi-Fi certification by;



3 Technical data

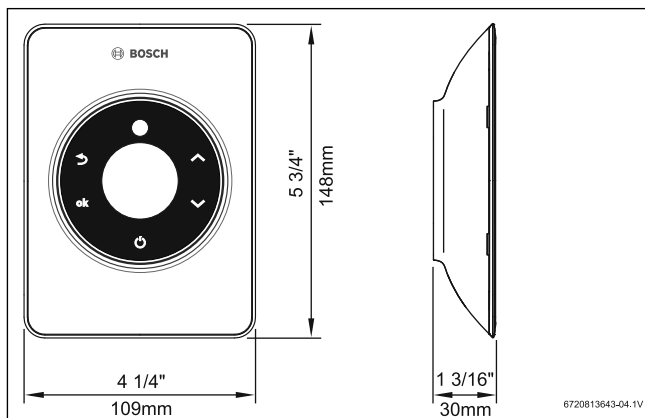


Fig. 3 Dimensions

Remote control of Bosch water heaters.



Only connect to approved Bosch water heaters.

4 Installation

4.1 Proper location for installation



WARNING: Risk of scalding!

- ▶ Carefully select the location of the remote control to avoid accidental water temperature settings.

Before installing the remote control,

- ▶ Check the Wi-Fi signal reception in the mounting vicinity.
If there is no Wi-Fi signal at the location of installation,
- ▶ Use a AP (Access Point) to increase Wi-Fi signal.

4.2 Mounting the remote control on the wall



CAUTION: Risk of damaging the remote control!

Humidity will damage the remote control.

- ▶ Do not install the remote control in bathrooms or other wet rooms.

- ▶ Carefully open the remote control with a screw driver.

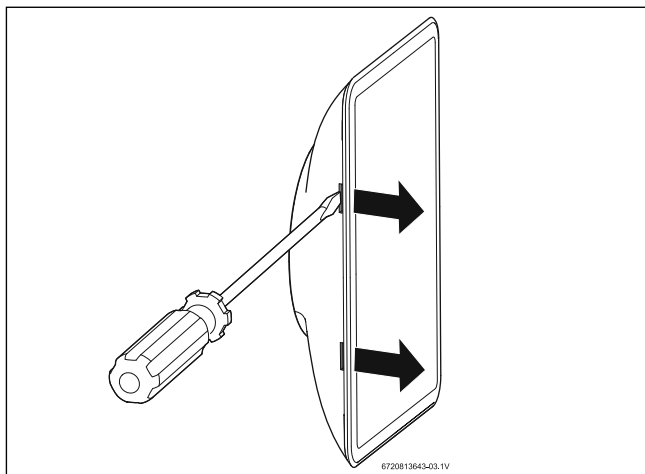


Fig. 4 Open remote control



- CAUTION:** Risk of damage the remote control internal components!
Electrostatic discharge can damage internal components.
- ▶ Do not touch on the internal components.

- ▶ Run the cable from the water heater to the mounting location.
- ▶ The cable can be either run inside the wall or outside the wall.
- ▶ Using the protruding cable as the center point, mark two level holes 2 3/8 inches apart.

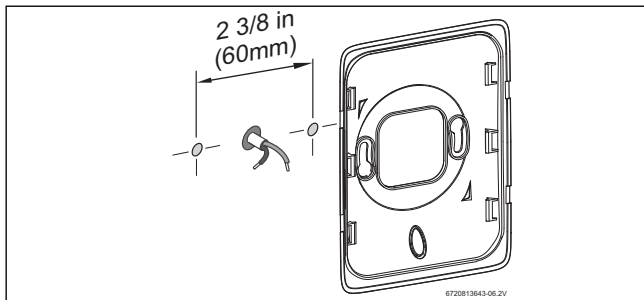


Fig. 5 Wires inside the wall

- ▶ Remove the cap from the base.
- ▶ Position the base level on the wall at the desired height.
- ▶ Mark two level holes within the screw guides in the base.

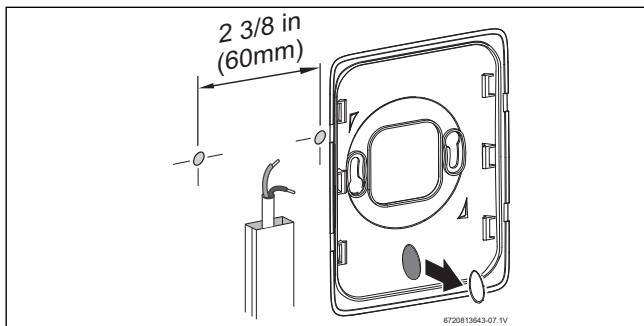


Fig. 6 Wires outside the wall

- ▶ Drill 1/4 inch holes in the marked locations.
- ▶ Insert the two supplied wall expansions.
- ▶ Mount the base using the two provided screws.

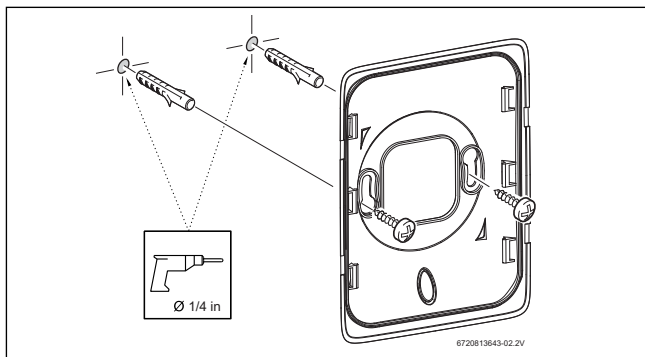


Fig. 7 Mounting the base

4.2.1 Power connection

Power is supplied to the remote control via supplied communication cable.

- ▶ Connect the communication cable to the remote control.

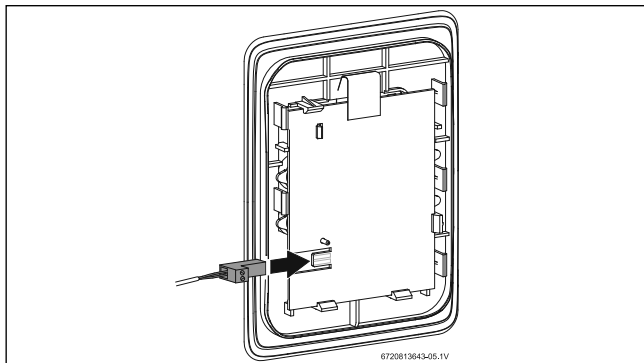


Fig. 8 Connection of the remote control

- ▶ Assemble the remote control interface to the mounted base.

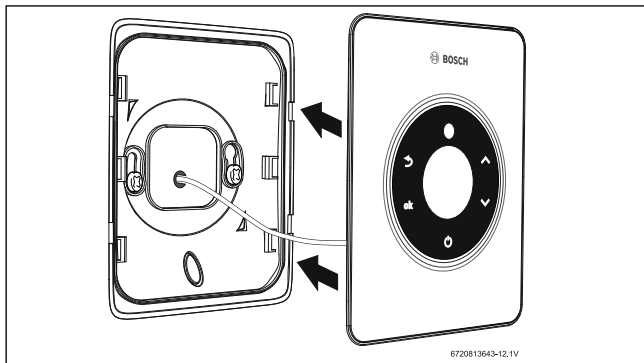


Fig. 9 Assemble remote control

- ▶ Connect the communication cable to the water heater.

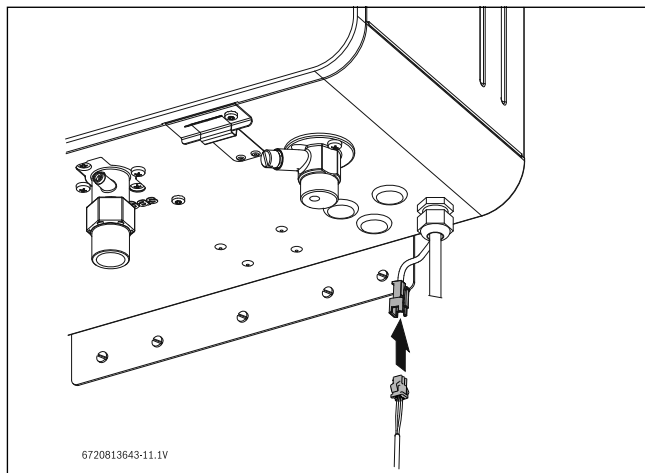


Fig. 10 Connection to the water heater

5 Controls

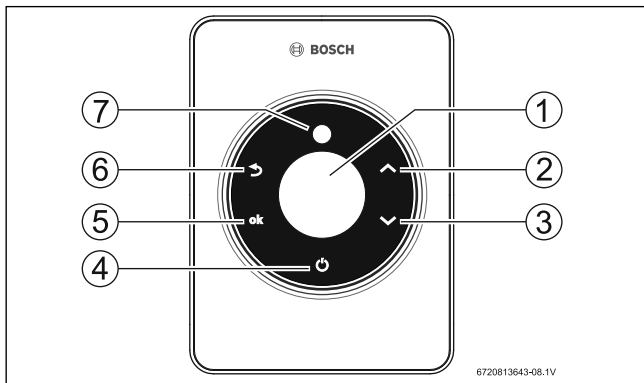


Fig. 11 Controls

- [1] LCD display
- [2] Up button
- [3] Down button
- [4] On/Off button
- [5] Confirmation button
- [6] Return button
- [7] Burner status / Error symbol





NOTICE:

- ▶ Wipe down with a damp cloth.
- ▶ Do not use any aggressive or corrosive cleaning agents to clean the remote control.

5.1 Power

To turn ON the appliance;

- ▶ Touch and hold symbol  for more than 3 sec.
The LCD display shows the selected temperature.
When the burner is on, the display shows symbol  (Fig. 11, [7]).

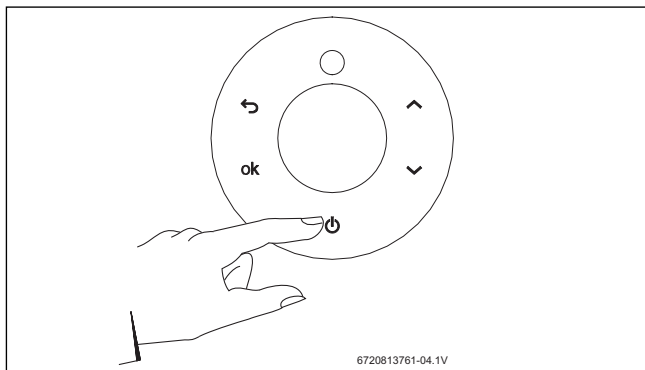


Fig. 12

To shut down the appliance;

- ▶ Touch and hold symbol  for more than 3 sec.

5.2 Temperature selection

To select a hot water temperature:

- ▶ Touch the symbol  or  until the desired temperature is displayed.

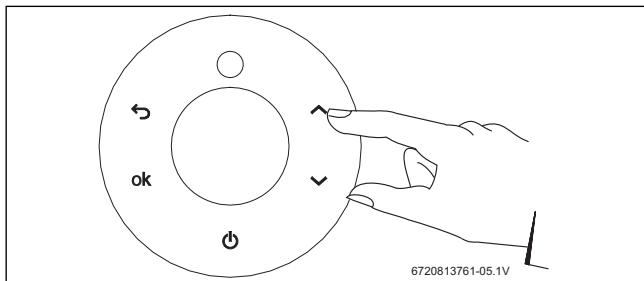


Fig. 13

A lower temperature set point will reduce the risk of scalding, reduce energy consumption and increase the longevity of the appliance.



CAUTION: Risk of scalding!

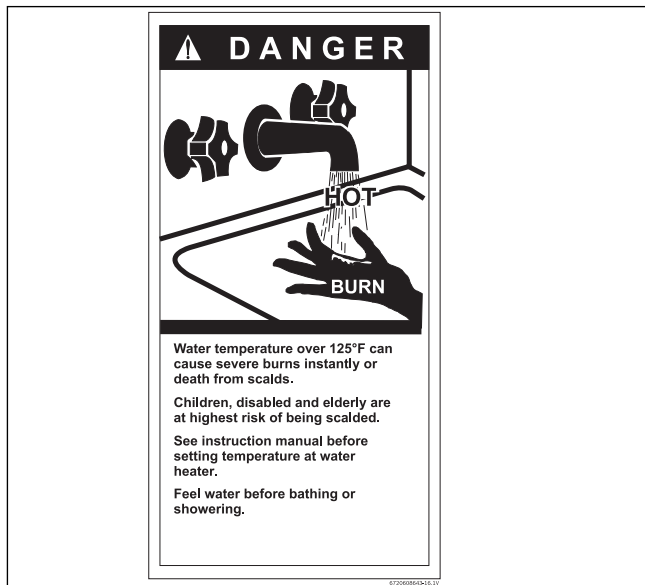
The temperature shown on the display is approximate.

- ▶ Always check with your hand before bathing children or elderly.

Setting the water temperature

The desired temperature of hot water can be adjusted on the remote control. Setting temperature in the remote control, will update info on the appliance front control panel.

The water heater has an electronically controlled gas valve that modulates the burner input in response to both varying hot water flow rates and/or changes in any incoming and outgoing water temperatures.

Safety information*Fig. 14*

5.2.1 Programming the default setpoint temperature

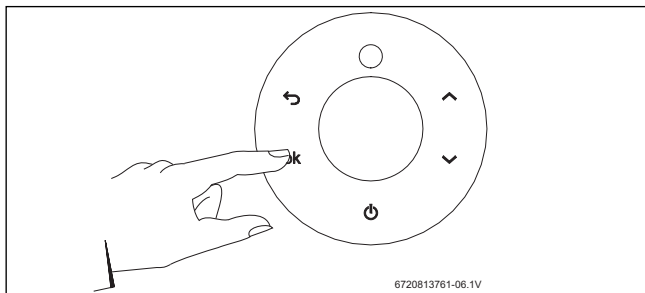


Fig. 15 "Program" key

- ▶ Touch the symbol \wedge or \vee to select the desired temperature.
- ▶ Hold the "OK" button for 3 seconds to save the default set point temperature.

When the display stops blinking, the default set point temperature is saved in memory.

Selecting the default setpoint temperature

In order to select the default setpoint temperature

- ▶ Touch the "OK" button.

Display shows the default setpoint temperature, which is now the hot water selected setpoint-temperature.

5.3 Main menu structure

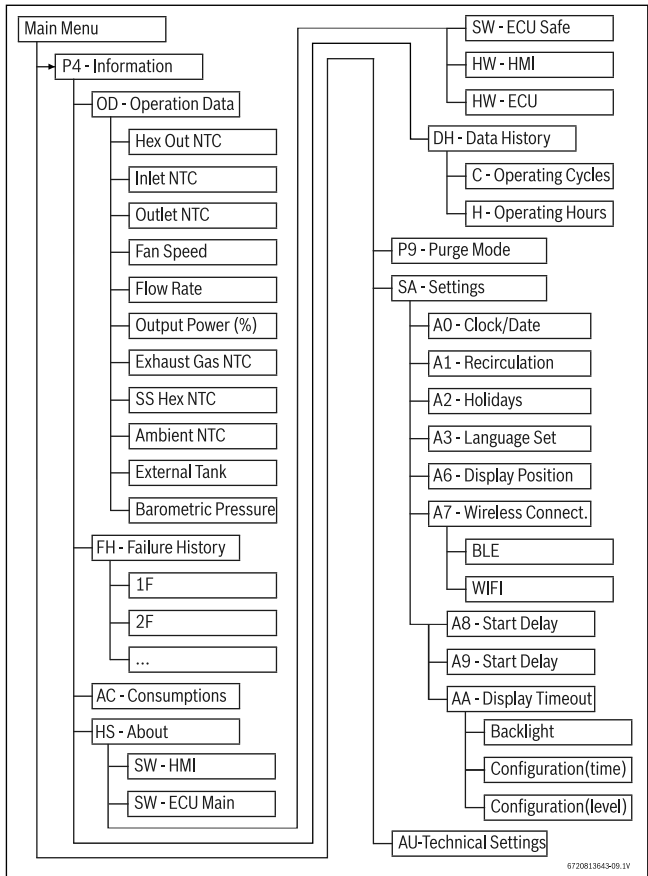
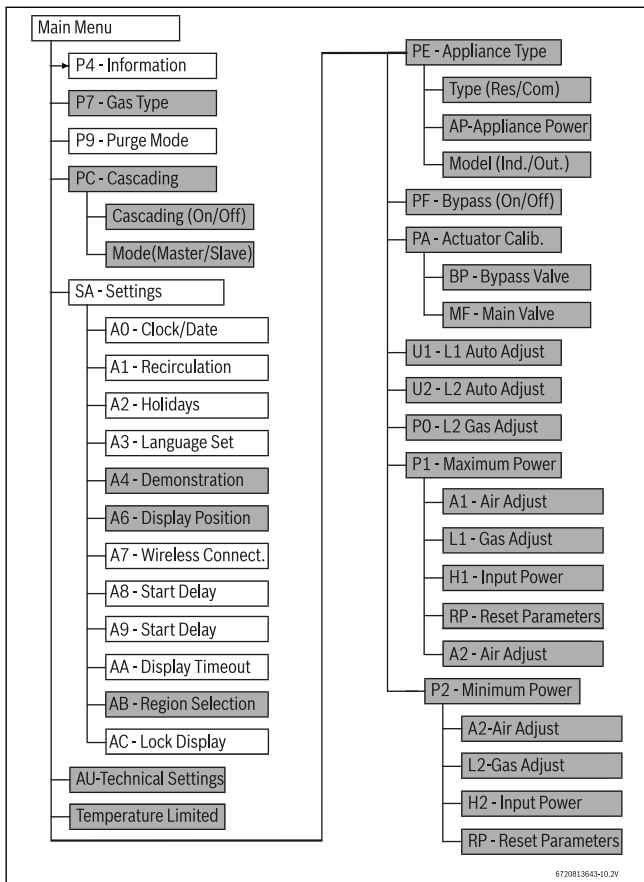


Fig. 16 User's menus

5.4 Service menu structure






6720813643-10.2V

Fig. 17 Service menus

5.5 Information /Adjustments menu

Access to Information / Adjustments menu

Display shows the set point temperature.

- ▶ Touch the symbol  .
Display shows **P4 Information**.
- ▶ Touch symbols  or  to scroll through the available menus.

Available menus

Display	Description
P4	Information (section 5.5.1)
P9	Purge (section 5.5.2)
SA	Settings (section 5.5.3)
AU	Technical Settings [service mode] (section 5.5.4)

Table 2

5.5.1 “P4” - Information

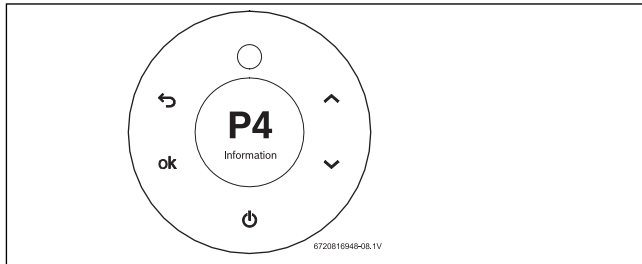





Fig. 18 P4 - Information

This menu provides access to several parameters.

- ▶ Access to information / adjustments menu.
Display shows **P4 Information**.
- ▶ Touch the symbol **ok** .
Display shows **DH Data History**.

- ▶ Touch the symbols  or  to choose the following information.
 - **DH Data History**
 - **OD Operation Data**
 - **FH Failure History**
 - **AC Consumptions**
 - **HS About**
- ▶ Touch the symbol  to selected the desired information.

DH Data History

Allows you to view two parameters:

- **Operation Cycles** - number of times burner has been started.
- **Operation Hours** - number of hours burner has been operational.


OD Operation Data




Allows you to view various parameters of the current operation of the appliance:

- **Chamber NTC** - current water temperature of the heat exchanger.
- **Inlet NTC** - current temperature of the temperature sensor of the water inlet tube.
- **Outlet NTC** - current temperature of the temperature sensor of the water outlet pipe.
- **Fan Speed** - current fan speed.
- **Flow** - total flow, through main valve + bypass.
- **Output Power** - % current power.
- **Ambient NTC** - current temperature inside cabinet near the fan.
- **Exhaust Gas NTC** - Exhaust gas temperature sensor.
- **SS Hex NTC** - current temperature between condensing and copper heat exchanger.
- **External Tank** - current temperature on the external tank.
- **Barometric pressure** - current barometric pressure at installation location.

FH Failure History

Allows you to view the last 10 error codes.

- ▶ Touch the symbol  .
Display shows the last 10 error codes.
If the display shows ellipsis (...) means that no error as occurred.

- ▶ Touch the symbols  or  to navigate between errors.
- ▶ Touch the symbol **ok** to see the date and hour when the error occurred.
- ▶ Touch the symbol  to return to main menu.

AC Consumption

Allows for displaying, in graphic form, the consumption of gas and water for the last 5 operations longer than 1 minute.

HS About

Allows you to view the versions of software / hardware installed on the water heater.

5.5.2 “P9” - Purge

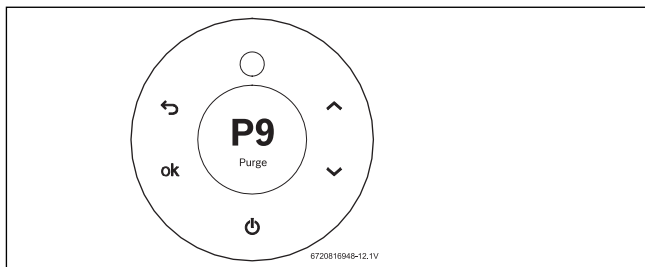




Fig. 19 P9 - Purge

This menu allows you to purge the exhaust circuit.

- ▶ Access to information / adjustments menu.
Display shows **P4 Information**.
- ▶ Touch the symbol  until the display shows **P9 Purge**.
After 2 sec. the fan starts working to purge the exhaust circuit.



The fan remains running until the Purge menu is exited, to do so:

- ▶ Touch the symbol .

5.5.3 SA - Settings

Only to be use when domestic recirculation is installed.

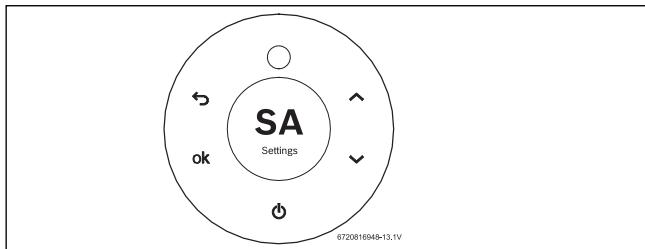





Fig. 20 SA - Settings

This menu provide access to several parameters.

- ▶ Access to information / adjustments menu.
Display shows **P4 Information**.
- ▶ Touch the symbol  until the display shows **SA Settings**.
- ▶ Touch the symbol **ok** .
Display shows **A0 Clock/Date**.
- ▶ Use the symbols  or  to scroll through the information/adjustments menus.
 - **A0 Clock/Date**
 - **A1 Recirculation**
 - **A2 Vacations**
 - **A3 Language Set**
 - **A4 Demonstration**
 - **A6 Display Position**
 - **A7 Wireless Connectivity**
 - **A8 Startup Delay**
 - **A9 Units Set**
 - **AA Display Timeout**
 - **AB Region Selection**
 - **AC Lock Display**
- ▶ Touch the symbol **ok** to select the desired information.

A0 Clock/Date

Set the **time**:

- ▶ Touch the symbol **ok** .
Display shows Clock and Date menu.
- ▶ Touch the symbol **ok** to set the Clock.
- ▶ Use the symbols **^** or **v** to set the hours.
- ▶ Touch the symbol **ok** when hour is correct.
- ▶ Use the symbols **^** or **v** to set the minutes.
- ▶ Touch the symbol **ok** when minutes are correct.
- ▶ Use the symbols **^** or **v** to choose **a.m.** or **p.m.**
- ▶ Touch the symbol **ok** to exit the **Clock** menu.

Set the **Date**:

- ▶ Use the symbols **^** or **v** to choose the **Date** menu.
Display shows Date menu: MM / DD / YYYY.
- ▶ Touch the symbol **ok** .
- ▶ Use the symbols **^** or **v** to set the month.
- ▶ Touch the symbol **ok** when month is correct.
- ▶ Use the symbols **^** or **v** to set the day.
- ▶ Touch the symbol **ok** when the day is correct.
- ▶ Use the symbols **^** or **v** to set the year.
- ▶ Touch the symbol **ok** when the year is correct.
- ▶ Touch the symbol **ok** to exit the **Date** menu.
Clock and Date are defined.
- ▶ Touch the symbol **↶** , the Hours and Clock blink 3 times and exit menu.

A1 Recirculation

Recirculation program is to control when a domestic recirculation system is active.

Set recirculation program:

- ▶ Touch the symbol **ok** .
Display shows following menu.
 - **HR House Recirculation**
 - **TL Tank Loading**
 - **OFF Off**

HR House Recirculation

Set the **Schedule**:

- ▶ Touch the symbol **ok** , to select **Schedule**.
- ▶ Touch the symbol **ok** , to enter the programming menu.
Display shows week days.
- ▶ Touch the symbol **ok** , to select a week day.
- ▶ Use the symbols **^** or **v** to choose option **Add New**.
- ▶ Touch the symbol **ok** , to enter the recirculation program.
- ▶ Use the symbols **^** or **v** to choose the beginning hour.
- ▶ Touch the symbol **ok** , to set the beginning hour.
- ▶ Use the symbols **v** to choose the end hour.
- ▶ Touch the symbol **ok** , to set the ending hour.
A recirculation period is defined.
The user can add additional recirculation periods on the same day.
- ▶ Touch the symbol **ok** , to select **Add New** and repeat all steps mentioned above.

Copy recirculation program

The user can copy the recirculation period(s) for the other week days.

- ▶ Use the symbols **^** or **v** to select the day of the week to be copied.
- ▶ Use the symbols **^** or **v** to choose option **Copy to**.
- ▶ Touch the symbol **ok** .
Display shows week days.
- ▶ Touch the symbol **ok** to select the day of the week.
- ▶ Use the symbols **^** or **v** to choose another week day.
When week days are selected,
- ▶ Touch the symbol **↶** to validate operation.
- ▶ Touch the symbol **↶** to exit.

Delete recirculation program

The user can delete a recirculation period(s).

- ▶ Use the symbols **^** or **v** to select the day of the week to be deleted.
- ▶ Touch the symbol **ok** .
- ▶ Use the symbols **^** or **v** to choose option **Delete**.

- ▶ Touch the symbol **ok** .
- ▶ Use the symbols **^** or **v** to choose a recirculation period.
- ▶ Touch the symbol **ok** twice to delete recirculation period.
- ▶ Touch the symbol **↶** to exit.

AA Always Active

Set the **Always Active**:

- ▶ Touch the symbol **ok** , to select **ON**.
Recirculation will be always active.

TL Tank Loading

- ▶ Touch the symbol **ok** .
Display shows following menu.
 - **External NTC**
 - **Internal NTC**
 - **Aquastat**

Select the menu according with the installation.

OFF

Set the **OFF**:

- ▶ Touch the symbol **ok** , to select **OFF**.
Recirculation will not be active.

A2 Vacations

Set Vacation time.



The burner will not activate while the appliance is in vacation mode.

- ▶ Touch the symbol **ok** .
Display shows Vacation menu.
- ▶ Use the symbol **v** to choose **On**.
On starts to blink.

- ▶ Touch the symbol **ok** to define first day of vacation: MM/DD/YYYY.
- ▶ Use the symbols **^** or **v** to set the month.
- ▶ Touch the symbol **ok** when month is correct.
- ▶ Use the symbols **^** or **v** to set the day.
- ▶ Touch the symbol **ok** when day is correct.
- ▶ Use the symbols **^** or **v** to set the year.
- ▶ Touch the symbol **ok** when year is correct.
- ▶ Use the symbols **^** or **v** to define the total of days.
- ▶ Touch the symbol **ok** to finish programming.
- ▶ Touch the symbol **↶** to activate vacation program.

Deactivating the vacation program.

- ▶ Use the symbol **^** or **v** to select "Off"
Off starts to blink.
- ▶ Touch the symbol **ok** .
Off option is selected.
- ▶ Touch the symbol **↶** to deactivate vacation program.

A3 Language

Set the language.

A4 Demonstration

Simulates in the display, the appliance is functioning.

(Only available when burner is not working)

A6 Display Position


Set the position:

- ▶ Touch the symbol **ok** ,
Adjust "Burner status/Error symbol" (→Fig. 11, [7]) display position;
 - **Vertical**
 - **Horizontal**
- ▶ Touch the symbol **ok** ,
Adjust "LCD display" position (→Fig. 11, [1]);
 - **Vertical**

- **Horizontal**



After the display's position has been adjusted:

- ▶ Touch the symbol  to exit.

A7 Wireless Connectivity



Remote control with Wi-Fi (7736504945),

- ▶ The structure of Wi-Fi menu will be available on the remote control HMI.





Remote control without Wi-Fi (7736504946),

- ▶ Confirm that a Wi-Fi dongle is installed in the appliance.
- ▶ The structure of Wi-Fi menu will not be available on the remote control HMI, it only be available on the appliance HMI.

-
- ▶ Touch the symbol **ok** .
Display shows following menu.
 - **Wi-Fi**







Wi-Fi menu

Connect the appliance to a network,







- ▶ Access to information / adjustments menu.
Display shows **SA Settings**
- ▶ Use the symbols  or  to select **A7 Wireless Connectivity**
- ▶ Touch the symbol **ok** .
Display shows,
 - **Wi-Fi**
- ▶ Touch the symbol **ok** .
Display shows following menus,
 - **SC Scan / ST Status**
 - **HT Hotspot**
 - **RE Reset**

- **TA Remote Technician Access**
- **MC MAC Address**
- **IP IP Address**

SC Scan

- ▶ Use the symbols  or  to select **SC Scan**.
- ▶ Touch the symbol  .
Display shows **list of available networks**.
- ▶ Use the symbols  or  to select the Wi-Fi network of your choice.
- ▶ Touch the symbol  .



Insert network password

- ▶ Use the symbols  or  to select the letters and symbols from the list.
- ▶ Touch the symbol  , to confirm each letter or symbol.
- ▶ Use the symbols  or  to select **END**, and then touch the symbol  , to enter password.
Appliance is connected to a network.
- ▶ Download the app.
- ▶ Follow the instruction in the app.

HT Hotspot



Use this option in case you want to connect your smartphone directly to the appliance. This option is generally chosen in case there is no domestic Wi-Fi connection available.

- ▶ Choose **HT Hotspot**.
- ▶ Touch the symbol  .
Define password with more than 8 characters.
- ▶ Choose the letters and symbols from the list.
- ▶ Touch the symbol  , to confirm each letter or symbol.
- ▶ Select **END** from the list, to finalize password.
- ▶ Download the app.
- ▶ From your smartphone in the Wi-Fi menu select the hotspot from your water heater.

- ▶ Place the password you have defined.
- ▶ Open the app and follow the instructions there.

To exit **HT** mode and connect the appliance to a router,

- ▶ Follow the procedure in **SC Scan**.



The SSID of the network is named “waterheater-xxxxxx”, where “xxxxxx” is the last 6 digits of the “MAC” address.

RE Reset





Choose this option to reset all Wi-Fi connection parameters.

- ▶ Choose **RE Reset**.
- ▶ Touch the symbol **ok** .
Display shows,
 - **RW Reset Wi-Fi**
 - **RU Reset User Passwords**
- ▶ Use the symbols **^** or **v** to select one option from the list.
- ▶ Touch the symbol **ok** .
Display shows,
 - **Yes**
 - **No**
 If choose **Yes**,
- ▶ Touch the symbol **ok** .
Password is deleted from the appliance.



TA Remote Technician Access



This option can be used to allow / deny access from your contractor to your appliance.

- ▶ Choose **TA Remote Technician Access**.
Display shows,
 - **Yes**
 - **No**
- ▶ Use the symbols  or  to select one option from the list.
If choose **Yes**,
- ▶ Touch the symbol **ok** .
The technician is able to access the appliance remotely.
If choose **No**,
- ▶ Touch the symbol **ok** .
The technician cannot access the appliance remotely.

After connecting the appliance to a network the only available menus in A7 Wi-Fi will be the following;

- ▶ Access to information / adjustments menu.
Display shows **SA Settings**
- ▶ Use the symbols  or  to select **A7 Wireless Connectivity**
- ▶ Touch the symbol **ok** .
Display shows **Wi-Fi**,
- ▶ Touch the symbol **ok** .
Display shows following menus,
 - **DI Disconnect**
 - **RE Reset**
 - **TA Remote Technician Access**

DI Disconnect

- ▶ Choose DI Disconnect.
- ▶ Choose the symbol **ok** .
Display shows, **Are you sure?**
 - **Yes**
 - **No**
- ▶ Choose **Yes**.
Appliance is disconnected from the network.

RE Reset

- ▶ Choose **RE Reset**.
- ▶ Touch the symbol **ok** .
Display shows,
 - **RW Reset Wi-Fi**
 - **RU Reset User Passwords**
- ▶ Use the symbols **^** or **v** to select one option from the list.
- ▶ Touch the symbol **ok** .
Display shows,
 - **Yes**
 - **No**If choose **Yes**,
- ▶ Touch the symbol **ok** .
Password is deleted from the appliance.

TA Remote Technician Access

- ▶ Choose **TA Remote Technician Access**.
Display shows,
 - **Yes**
 - **No**
- ▶ Use the symbols **^** or **v** to select one option from the list.
If choose **Yes**,
- ▶ Touch the symbol **ok** .
The technician is able to access the appliance remotely.
If choose **No**,
- ▶ Touch the symbol **ok** .
The technician cannot access the appliance remotely.

A8 Startup Delay

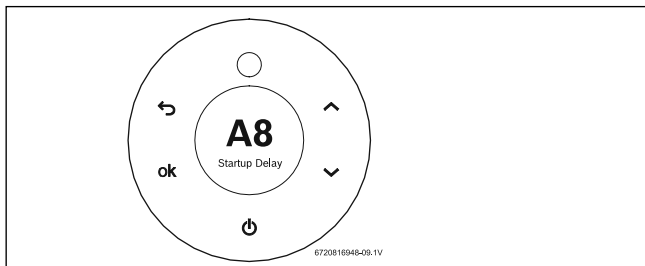


Fig. 21 A8- Startup Delay

This menu allows programming a burner start delay between 0 and 60 seconds, after detecting water flow.

- ▶ Access to information / adjustments menu.
Display shows **SA Settings**.
- ▶ Use the symbols \wedge or \vee to select **A8 Startup Delay**.
- ▶ Touch the symbol **ok** .
Display shows **Startup Value(s)**.
- ▶ Touch the symbol **ok** .
- ▶ Touch the symbols \wedge or \vee to define, in seconds, the delay to start-up after detection of the water flow.
- ▶ Touch the symbol **ok** after reaching the desired value.

A9 Units Set

This menu allows you to choose the units visible on the display.

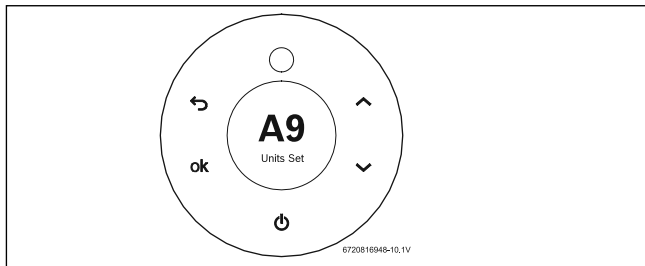


Fig. 22 A9 - Units

- ▶ Access to information / adjustments menu.
Display shows **SA Settings**.
- ▶ Touch the symbol \checkmark until **A9 Units is in the display**.
- ▶ Touch the symbol **ok** .
- ▶ Use the symbols \wedge or \vee to select measurement units.

Metric (°C l/min)

Imperial (°F gal/min)

- ▶ Touch the symbol **ok** after selecting the desired units.
The selected units blinks, display indicates **A9 Units**.

AA Display Timeout

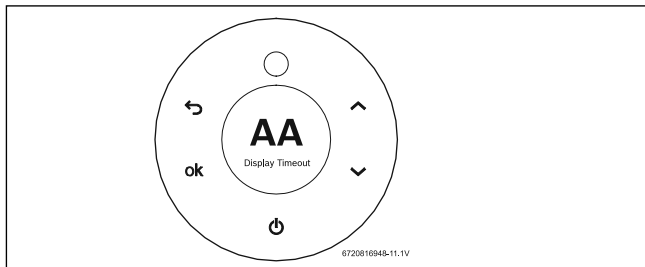


Fig. 23 AA- Backlight Control

Activation of brightness control increases energy savings when the appliance is idle. This menu lets you control 3 parameters of the display when idle, or when the unit is not in use:

- enable / disable brightness control
 - after which time the brightness control is activated
 - brightness level
- ▶ Access to information / adjustments menu.
Display shows **SA Settings**.
- ▶ Touch the symbol **✓** until the display shows **AA Backlight Control**.
- ▶ Touch the symbol **ok** .
Display shows **Backlight**.

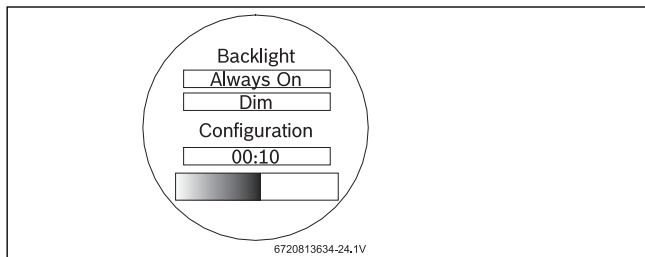


Fig. 24 Backlight control menu

- ▶ Touch the symbol **ok** .
- ▶ Use the symbols **^** or **v** to select DIM.
- ▶ Touch the symbol **ok** .
- ▶ Use the symbols **^** or **v** to set between 10 seconds and 1 hour.
- ▶ Touch the symbol **ok** after reaching the desired value.
The time is defined, the brightness value must now be programmed.
- ▶ Use the symbols **^** or **v** to set the brightness of the display when in period of inactivity.
- ▶ Touch the symbol **ok** after reaching the desired brightness.

AB Region Selection

- ▶ Touch the symbol **ok** .
Display shows following menu.
 - **Europe**
 - **USA**
 - **Canada**

AC Lock Display

This menu allows to lock the display.

- ▶ Touch the symbol **ok** .
Display shows following menu.
 - **Off**
 - **On**
- ▶ Touch the symbols **^** or **v** to select the desired option.
- ▶ Touch the symbol **ok** .
The current selection is in green color.

To unlock the screen,

- ▶ Touch the symbols **ok** and **v** more than 2 seconds to unlock touch screen.
- ▶ Touch the symbol **↶** to return to main menu.

The display will lock after a few seconds of inactivity.

To unlock the display,

- ▶ Touch the symbols **ok** and **v** for 2 seconds.

5.5.4 AU - Technical Settings







DANGER:

- ▶ Only for trained personnel.

- ▶ See section 5.6.




5.6 Service menu - AU Technical Settings

Accessing the AU Technical Settings menu

- ▶ Touch the symbol  .
Display shows **P4 Information**.
- ▶ Touch symbols  or  to select **AU Technical Settings** menu.
- ▶ Touch the symbol **ok** .
Display shows Technical Settings menu (password input).
- ▶ Select the password (1886).
Authentication completed.
- ▶ Touch the symbol  .
Access to **installer exclusive menus**.
 - **P0 - Min. Power**
 - **P1 - Maximum Power**
 - **P2 - Minimum Power**
 - **UC - Combustion Auto Adjust**
 - **P7 - Gas Type (LPG, NG)**
 - **LM - Temperature Limited**
 - **PE - Appliance Type**
 - **PF - Bypass (On / Off)**
 - **PA - Actuator Calibration**
 - **RS - Recirculation Settings**
 - **IC - ICC**

LM Temperature Limited

Unlock the Temperature Limit

- ▶ Touch the symbol **ok** .
Display shows following menu.
 - **Unlocked**
 - **Locked**
 The current selection is in green color.
- ▶ Touch symbols  or  to select **Unlocked**.
- ▶ Touch the symbol **ok** .
- ▶ Touch the symbol  to return to main menu.

PF Bypass Activation

To Enable or Disable bypass function.

- ▶ Touch the symbol **ok** .
Display shows following menu.
 - **Off**
 - **On**
 The current selection is in green color.
- ▶ Touch symbols **^** or **v** to select the desired option.
- ▶ Touch the symbol **ok** .
- ▶ Touch the symbol **↶** to return to main menu.

RS Recirculation Settings

To define recirculation comfort level,

- ▶ Touch the symbol **ok** .
- ▶ Touch symbols **^** or **v** to define comfort level.
 - **1**
 - **2**
 - ...
 - **9**

Choosing a higher comfort level (9) will set the recirculation water temperature closer to the set point defined on the water heater. Choosing a lower value (1) will favor efficiency at the expense of recirculation temperature comfort.

- ▶ Touch the symbol **ok** .
- ▶ Touch the symbol **↶** to return to main menu.

IC - ICC



Default setting is **On**.

- ▶ Only a qualified technician can change this parameter.
-

5.7 Factory default settings

Restore factory values for P1 Max. Power

- ▶ Access to menu **P1 Max. Power**.
- ▶ Touch symbols \wedge or \vee to select **Reset Parameters**.
- ▶ Touch the symbol **ok** .
The display blinks to confirm change.
- ▶ Touch the symbol **ok** .
The factory default values for **P1** are restored.

Restore factory values for P2 Max. Power

- ▶ Access to menu **P2 Min. Power**.
- ▶ Touch symbols \wedge or \vee to select **Reset Parameters**.
- ▶ Touch the symbol **ok** .
The display blinks to confirm change.
- ▶ Touch the symbol **ok** .
The factory default values for **P2** are restored.

5.8 Water actuators calibration



Water actuators calibration must only be done when main water valve or bypass valve is replaced.



The water actuators calibration process takes several minutes.

- ▶ Do not interfere with the appliance.
-



Only possible after access Technical Settings menu (→ section 5.6).

5.8.1 MF main valve auto calibration

- ▶ Open one hot water tap.

- ▶ Access menu **PA**.
 - ▶ Touch symbol **OK**.
 - ▶ Touch symbols **^** or **v** to select **MF main valve**.
 - ▶ Touch symbol **OK**.
The appliance will start the auto calibration of main valve.
-



Water flow will shut-off.

- ▶ Wait until indication of calibration completed appears on the screen.
-

- ▶ Touch the symbol **↶** to return to main menu.

5.8.2 BP bypass valve auto calibration

- ▶ Open one hot water tap.
Flow rate between 0.80 GPM and 1.80 GPM is required.
It's possible to confirm this value by entering the BP bypass menu (see below).
 - ▶ Access menu **PA**.
 - ▶ Touch symbol **OK**.
 - ▶ Touch symbols **^** or **v** to select **BP bypass valve**.
 - ▶ Touch symbol **OK**.
The appliance will start the auto calibration of the bypass valve.
-



The display shows the flow rate.

- ▶ You should adjust the flow rate at the beginning of the calibration process.
 - ▶ Wait for the indication that the calibration is completed to appear on the screen.
-

- ▶ Touch the symbol **↶** to return to main menu.

6 Troubleshooting

6.1 Error codes diagnostics



Only remove the error code after the problem solved!

- ▶ Read the Bosch Water Heater Installation and Operating manual for more information on error codes.

To remove error codes from the display,

- ▶ Hold the On/Off button more than 3 sec. (long press).

6.2 Remote control doesn't turn on

if the display is blank;

1. Check if cable wiring is correctly connected, on the water heater and remote control.
2. Check if water heater is turn on.

6.3 Error symbol

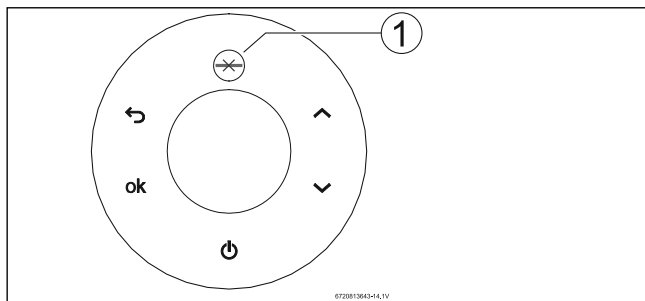


Fig. 25

[1] Error symbol

When error symbol appears, communication with appliance is not possible.

- ▶ Check for electromagnetic fields near the cable way.

- ▶ Check cable connection on the remote control.
- ▶ Replace remote control if damaged.
- ▶ Check control unit and replace it if damaged.

7 Environment / disposal

Environmental protection is a fundamental corporate strategy of the Bosch Group. The quality of our products, their efficiency and environmental safety are all of equal importance to us and all environmental protection legislation and regulations are strictly observed.

We use the best possible technology and materials for protecting the environment taking into account of economic considerations.

Packaging

We participate in the recycling programmes of the countries in which our products are sold to ensure optimum recycling.

All of our packaging materials are environmentally friendly and can be recycled.

Old electrical and electronic appliances



Electrical or electronic devices that are no longer serviceable must be collected separately and sent for environmentally compatible recycling (in accordance with the European Waste Electrical and Electronic Equipment Directive).

To dispose of old electrical or electronic devices, you should use the return and collection systems put in place in the country concerned.

Notes

Notes

Bosch Thermotechnology Corp.
50 Wentworth Avenue
Londonderry, NH 03053
Tel. 603-552-1100
Fax 603-965-7581
www.boschheatingandcooling.com
U.S.A.

Products manufactured by
Bosch Termotecnologia SA
Estrada de Cacia
3800-533 Cacia
Portugal

Bosch Thermotechnology Corp. reserves the right
to make changes without notice due to continuing
engineering and technological advances.