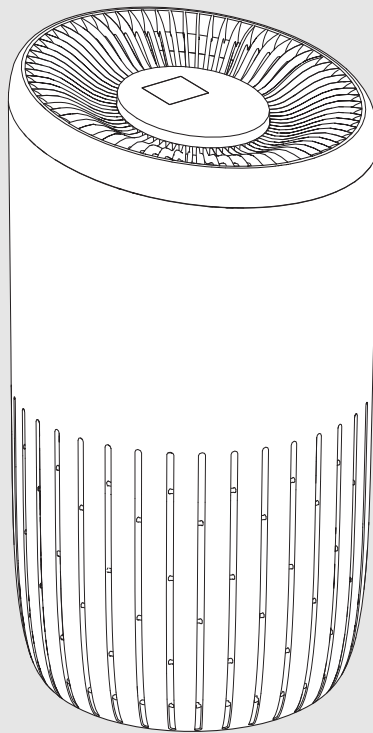




Installation instructions

Air Purifier

Air 4000



Contents

1	Explanation of symbols and safety instructions	2
1.1	Explanation of symbols	2
1.2	Safety instructions	2
1.3	Safety instructions	3
1.4	FCC Regulatory notices	3
2	Product Description	4
2.1	Scope of delivery	4
2.2	Product overview	4
2.3	Controls overview	4
2.4	User interface overview	4
2.5	Product specifications	4
3	Installation	4
3.1	Installing the filter	4
4	Operation	4
4.1	Understanding the air quality light ring	4
4.2	Switching ON/OFF	5
4.3	Changing the mode setting	5
5	Cleaning and maintenance	5
5.1	Cleaning the housing of the air purifier	5
5.2	Cleaning the particle sensor	5
5.3	Cleaning the filter	5
5.4	Replacing the filter	5
5.5	Resetting the filter	6
6	Moving and storage	6
7	Troubleshooting	6
8	Environmental protection and disposal	7
9	Online Help Resources	7

1 Explanation of symbols and safety instructions

1.1 Explanation of symbols

Warnings

In warnings, signal words at the beginning of a warning are used to indicate the type and seriousness of the ensuing risk if measures for minimizing danger are not taken.

The following keywords are defined and can be used in this document:

DANGER

DANGER indicates that severe or life-threatening personal injury will occur.

WARNING

WARNING indicates that severe to life-threatening personal injury may occur.

CAUTION

CAUTION indicates a hazardous situation which, if not avoided, could result in minor to moderate injury.

NOTICE

NOTICE is used to address practices not related to personal injury.

Important Information



The info symbol indicates important information where there is no risk to people or property.

Additional symbols

Symbol	Explanation
▶	Sequence of steps
→	Cross-reference to another part of the document
•	Listing/list entry
–	Listing/list entry (2nd level)

Table 1

1.2 Safety instructions

Read this user manual carefully before using the appliance and save it for future reference.

Danger

- Do not clean the appliance with any flammable liquid or detergent. Do not spill any liquid on the appliance, to avoid electric shock, fire hazard and/or damage in the internal structure of the filter.
- Do not spray any flammable materials such as insecticides, alcohol or fragrance near the appliance.

Warning

- Check if the voltage indicated on the appliance corresponds to the local power voltage before connecting the appliance.
- Make sure the power cord is not running across highly trafficked areas to prevent fraying, overheating, and tripping.
- If the power cord, or any other working component of the appliance is damaged, have it replaced immediately by a Bosch authorized technician.
- Do not use the appliance if the plug, the power cord, or the appliance itself is damaged.
- Operation, cleaning and maintenance of the appliance must be performed by adults.
- Do not block the air inlet and outlet, e.g., by placing items on the air outlet or in front of the air inlet.
- Make sure that foreign objects do not fall into the appliance through the air outlet.
- Do not heat up the filter or the appliance, to avoid device damage or fire hazard.

Caution

- This appliance is not a substitute for proper ventilation, regular vacuum cleaning, or use of an extractor hood or fan while cooking.
- Always place and use the appliance on a dry, stable, leveled, and horizontal surface.
- Leave at least 8 in (20cm) free space around the appliance and leave at least 12 in (30cm) free space above the appliance.
- Do not sit or stand on the appliance. Do not place anything on top of the appliance.
- When disposing the filter, seal the filter in a disposable bag and follow the advice of the local health authorities for handling potentially infected surfaces.
- Only use the original Bosch filters specially intended for this appliance. Do not use any other filters.
- Do not use the filter as fuel or for similar purposes. Combustion of the filter may cause irreversible human hazard and/ or endanger other lives.
- Avoid hitting the appliance (the air inlet and outlet in particular) with hard objects.
- Do not insert your fingers or objects in the air outlet or the air inlet, to prevent physical injury or malfunctioning of the appliance.
- If the appliance is blocked, have it checked immediately by a Bosch authorized technician.
- Do not use the appliance when smoking indoors, have used insecticides, disinfectant, or in places with oily residues, burning incense, or chemical fumes.
- Do not use the appliance near gas appliances, heating devices or fireplaces.
- Make sure to unplug the appliance when you want to move it, clean it, replace the filter or carry out other maintenance.
- Supervise children to ensure that they do not play with the appliance.
- This appliance is not intended for use by persons with reduced physical, sensory or mental capabilities (including children), or lack of experience and knowledge, unless they have been given supervision or instruction concerning the use of the appliance by a person responsible for their safety.
- This appliance can be used by children aged from 8 years and above and persons with reduced physical, sensory or mental capabilities or lack of experience and knowledge, if they have been given supervision or instruction concerning use of the appliance in a safe way and understand the hazards involved.

- Children shall not play with the appliance. Cleaning and user maintenance shall not be made by children without supervision.
- The appliance is designed for use in residential indoor applications, under normal operating conditions.
- Do not use the appliance in wet surroundings or in surroundings with high humidity or high temperatures.
- The appliance does not remove carbon monoxide (CO) nor radon (Rn). It must not be used to clean hazardous chemicals, nor combustion accidents.
- The recommended temperature for using the device is from 41°F to 113°F (5°C to 45°C), relative humidity level is ≤85%. The device may stop working or get damaged if the recommended temperature and humidity level are not followed.
- The recommended temperature range for device storage is from -68°F to 131°F (-20°C to 55°C). The device will be damaged if stored in areas that exceed this temperature range.
- The noise emission sound pressure level is below 70dB(A).

1.3 Safety instructions**WARNING****To reduce the risk of fire or electric shock.**

- ▶ Do not use the fan with any solid-state speed control device.

**WARNING****To reduce the risk of fire, electric shock or injury to persons.**

- ▶ Do not use replacement parts that are not recommended by the manufacturer.

1.4 FCC Regulatory notices**Modification statement**

Bosch Thermotechnology Corp. has not approved any changes or modifications to this device by the user. Any changes or modifications could void the user's authority to operate the equipment.

Interference statement

This device complies with Part 15 of the FCC Rules and Industry Canada licence-exempt RSS standard(s). Operation is subject to the following two conditions: (1) this device may not cause interference, and (2) this device must accept any interference, including interference that may cause undesired operation of the device.

Wireless notice

This device complies with FCC radiation exposure limits set forth for an uncontrolled environment and meets the FCC radio frequency (RF) Exposure Guidelines and RSS-102 of the ISED radio frequency (RF) Exposure rules. This transmitter must not be co-located or operating in conjunction with any other antenna or transmitter. This device needs to be installed and used on distance greater than 20cm from human body.

FCC Class B digital device notice

This equipment has been tested and found to comply with the limits for a Class B digital device, pursuant to part 15 of the FCC Rules. These limits are designed to provide reasonable protection against harmful interference in a residential installation. This equipment generates, uses and can radiate radio frequency energy and, if not installed and used in accordance with the instructions, may cause harmful interference to radio communications. However, there is no guarantee that interference will not occur in a particular installation.

If this equipment does cause harmful interference to radio or television reception, which can be determined by turning the equipment off and on, the user is encouraged to try to correct the interference by one or more of the following measures:

- Reorient or relocate the receiving antenna.
- Increase the separation between the equipment and receiver.
- Connect the equipment into an outlet on a circuit different from that to which the receiver is connected.
- Consult the dealer or an experienced radio/TV technician for help.

2 Product Description

2.1 Scope of delivery

[→Figure 1 Scope of delivery Air 4000]

- [1] Air purifier
- [2] Technical documentation
- [3] Transformer

2.2 Product overview

[→Figure 2 Product overview Air 4000]

- [1] Housing
- [2] Filter
- [3] Bottom cover

2.5 Product specifications

Product	Air 2000	Air 4000	Air 6000
CADR	106 CFM – 180 m ³ /h	177 CFM – 300 m ³ /h	353 CFM – 600 m ³ /h
Effective range	162 ft ² (AHAM) – 37.5 m ²	269 ft ² (AHAM) – 65 m ²	549 CFM (AHAM) – 125m ²
Power supply	120V/60 Hz	120V/60 Hz	120V/60 Hz
Rated Power	20W	24W	50W
Standby power	2W	2W	2W
Noise level	25 ~ 49 dB	25 ~ 49 dB	25 ~ 55dB
Operating conditions	41°F ~ 113°F (5 °C ~ 45 °C), <85% RH	41°F ~ 113°F (5 °C ~ 45 °C), <85% RH	41°F ~ 113°F (5 °C ~ 45 °C), <85% RH
Size	9.25 x 9.25 x 15.28 in / 388 x 235 x 235 mm	11.46 x 11.46 x 19.69 in / 500 x 291 x 291 mm	12.76 x 12.76 x 29.37 in / 746 x 324 x 324 mm
Weight	6.6 lbs – 3Kg	9.92 lbs – 4.5Kg	17.9 lbs – 8.1Kg

Table 2

3 Installation

3.1 Installing the filter

- ▶ Lay the appliance horizontally on a steady surface.
- ▶ Rotate and pull the bottom cover from the appliance.
- ▶ Pull the filter from the appliance.
- ▶ Remove the plastic cover of the air purification filter.
- ▶ Insert the filter back into the appliance.
- ▶ Reapply the bottom cover.

[→Figure 5 Opening the bottom cover]

[→Figure 6 Pulling the bottom cover and removing the plastic cover]

[→Figure 7 Reapplying the bottom cover]

2.3 Controls overview

[→Figure 3 Controls overview Air 4000]

- [1] Digital display
- [2] Manual mode
- [3] Timer
- [4] Power button
- [5] Child lock
- [6] Light ring
- [7] Filter status
- [8] Quiet mode
- [9] Auto mode

2.4 User interface overview

[→Figure 4 User interface overview - Air 4000]

- [1] Filter status
- [2] Timer
- [3] Wi-fi
- [4] Cleaning required
- [5] Child lock
- [6] PM 2.5 value
- [7] Fan speed level
- [8] Auto mode
- [9] Quiet mode
- [10] Manual mode

4 Operation

4.1 Understanding the air quality light ring

The light ring indicates the air quality. It lights up all colours in sequence, when the air purifier is switched on. After approximately 30 seconds, the particle sensor selects the color that corresponds to the surrounding air quality of airborne particles, according to table 2.

PM2.5

PM2.5 refers to ultra-fine airborne particle pollutants smaller than 2.5 micrometers. Most of the indoor air pollutants fall under PM2.5 like: tobacco smoke, cooking and burning candles, some airborne bacteria and the smallest mold spores, pet allergen and dust mite allergen particles also fall under PM2.5.

The air quality sensor scans the air continuously to detect the ultra-fine particles. This information is reported continuously in both the digital display and the light ring, providing real-time PM2.5 feedback.

Air quality light color	Air quality level	PM2.5 level
Blue	Good	0-12
Purple	Ok	13-35
Orange	Poor	36-55
Red	Bad	>56

Table 3 Air quality light colors and PM2.5 levels

4.2 Switching ON/OFF

- ▶ Insert the plug of the air purifier in the power socket.
- ▶ Touch to switch on the air purifier.
- ▶ Press the button again, to switch off the air purifier.

Note

- For optimum purification performance, close the doors and the windows.
- Keep curtains away from the air inlet or air outlet.
- The air purifier will operate in Auto mode by default.

4.3 Changing the mode setting

Auto-mode

- In Auto-mode, the air quality is registered in real-time, and the appliance automatically adjusts the fan speed in accordance to the ambient air quality.

Manual mode

- In Manual mode, it is possible to set the fan speed (between Speed 1 and Speed 3). Press the button to change to the desired speed.

Quiet mode

- In Quiet mode, the air purifier operates quietly at a low speed and all the lights are dimmed.

Timer mode

- In Timer mode, it is possible to set the timer (between 1 and 12 hours) for the equipment shut off.

5 Cleaning and maintenance

5.1 Cleaning the housing of the air purifier

Regularly clean the inside and outside of the housing of the air purifier to prevent dust from collecting.

- ▶ Wipe the surface with a damp cloth.
- ▶ Use a soft, dry cloth to clean both the interior and exterior of the air purifier and the air outlet.

5.2 Cleaning the particle sensor

Note:

- If the air purifier is used in a dusty environment, it may need to be cleaned more often.
- If the humidity level in the room is very high, condensation may develop on the particle sensor and the air quality light may indicate a poorer air quality even though the air quality is good. If this occurs, clean the particle sensor.

Clean the particle sensor every month for optimal functioning of the appliance.

- ▶ Switch off the air purifier and unplug from the power socket.
- ▶ Pull the back cover from the sensor and remove it from the appliance.
- ▶ Clean the particle sensor with a damp cotton swab.

- ▶ Dry all parts with a dry cotton swab.
- ▶ Reattach the cover of the sensor.

[→Figure 8 Air quality sensor cover]

[→Figure 9 Cleaning the air quality sensor]

5.3 Cleaning the filter



CAUTION

Wear a mask and gloves when cleaning the filter surface and/or replacing the filter.

- ▶ Switch off the air purifier and unplug it from the power socket.
- ▶ Lay the appliance horizontally in a steady surface.
- ▶ Rotate and pull the bottom cover and remove it from the appliance.
- ▶ Pull the filter from the appliance.
- ▶ Clean the surface of the filter with a vacuum cleaner.
- ▶ Insert the filter back into the appliance.
- ▶ Push and rotate the bottom cover.
- ▶ Insert the appliance back into vertical position.
- ▶ Insert the plug of the air purifier in the power socket.
- ▶ Touch the power button to switch on the appliance.
- ▶ Touch the filter status check/reset button .
- ▶ Wash your hands after cleaning the filter.

[→Figure 10

Removing and cleaning the filter]

5.4 Replacing the filter



CAUTION

Wear a mask and gloves when cleaning the filter surface and/or replacing the filter.

The air purifier is equipped with a filter replacement indicator to make sure that the air purification filter is in optimal condition when the air purifier is operating.

Replace the filter before the indicator reaches 0%.

NOTICE

The filter is not washable or reusable.



CAUTION

Always turn off the air purifier and unplug it from the electrical outlet before replacing the filter.

- ▶ Switch off the air purifier and unplug it from the power socket.
- ▶ Lay the appliance horizontally in a steady surface.
- ▶ Rotate and pull the bottom cover and remove it from the appliance.
- ▶ Pull the filter from the appliance.
- ▶ Remove the plastic cover of the new filter [→ Figure 6].
- ▶ Insert the new filter into the appliance.
- ▶ Push and rotate the bottom cover.
- ▶ Insert the appliance back into vertical position.
- ▶ Insert the plug of the air purifier in the power socket.

- ▶ Touch the power button to switch on the appliance.
- ▶ Touch and hold the filter status check/reset button to reset the filter lifetime counter.
- ▶ Wash your hands after replacing the filter.

Note:

Do not smell the filter as it has collected pollutants from the air.

5.5 Resetting the filter

When the filter lifetime counter reaches 0%, the filter must be replaced. The counter goes back to 100% after pressing the filter button .

[→Figure 11 Filter lifetime reaching 0%]

The filter may be replaced before the filter lifetime reaches 0%. The filter lifetime counter needs to be reset manually after its replacement:

- ▶ Touch the power button to turn off the appliance and unplug it from the power socket.
- ▶ Insert the plug in the power socket.
- ▶ Long press the filter button to reset the filter lifetime counter. The interface will show the message of filter status 100%.

[→Figure 12 Filter lifetime reaching 100%]

The filter status is constantly displayed on the top left hand side of the digital display.

6 Moving and storage

Moving

- Use two hands to hold the appliance when moving it.

Storage

- ▶ Turn off the air purifier and unplug it from the power socket.
- ▶ Clean the air purifier, the particle sensor and the surface of the filter (→ Chapter 5 "Cleaning and maintenance", Page 5).
- ▶ Let all parts air-dry before storing.
- ▶ Wrap the filter in air-tight plastic covers.
- ▶ Store the air purifier and the filter in a cool, dry location.
- ▶ Wash your hands after handling the filter.

7 Troubleshooting

This chapter summarizes the most common issues that may occur with the appliance. If the solution is not found in the table below, please contact an authorized service technician.

Problem	Possible solution
The airflow that comes out of the air outlet is significantly weaker than before.	The surface of the filter is dirty. Clean the surface of the filter (→ Chapter 5 "Cleaning and maintenance").
The air quality does not improve, even though the appliance has been operating for a long time.	<ul style="list-style-type: none"> • Check if the plastic cover is removed from the filter. • The filter has not been placed in the appliance. Make sure that the filter is properly installed. • The particle sensor is wet. The humidity level in the room is high and causes condensation. Make sure that the particle sensor is clean and dry (→ Chapter 5 "Cleaning and maintenance"). • Room size is large or the outdoor air quality is poor. For optimum purification performance, close the doors and windows when operating the air purifier. • There are indoor pollutants. For example, smoking, cooking, incense, perfume or alcohol. • Filter has reached the end of life. Replace the filter with a new one.
The color of the air quality light always stays the same.	The particle sensor is dirty. Clean the particle sensor (→ Chapter 5 "Cleaning and maintenance"). If the air quality is good, the light should be blue at all times.

Problem	Possible solution
The appliance produces a strange smell.	The first few times using the appliance, it may produce a plastic smell. This is normal. However, if the appliance produces a burnt smell even after removing the filter, contact support services. The filter may produce smell after being used for a while because of the absorption of indoor gases. It is recommended to reactivate the carbon filter by putting it in direct sunlight. If the smell persists, replace the filter.
The appliance is very loud.	<ul style="list-style-type: none"> • The appliance is operating at a high speed, as set in manual mode. • In Auto mode, if the appliance is too loud, it may be operating at high speed, because poor air quality has been detected. Switch to lower fan speed. • If there is an unusual sound, contact support services. • If anything drops into the air outlet, it may also cause an unusual loud sound. Immediately switch off the appliance, turn the appliance upside down, to get foreign objects out of the appliance.

Table 4 Problems and solutions

8 Environmental protection and disposal

Environmental protection is one of the fundamental company policies of the Bosch Group.

Quality of products, efficiency and environmental protection are equally important objectives for us. Environmental protection laws and regulations are strictly adhered to.

To protect the environment, we use the best possible technology and materials taking into account economic points of view.

Packaging method

For the packaging, we participate in the country-specific recycling systems, which guarantee optimal recycling.

All packaging materials used are environmentally-friendly and recyclable.

Old appliances

Old appliances contain valuable materials that can be recycled.

The components are easy to separate. Plastics are identified. This allows the various assemblies to be sorted and recycled or disposed of.

9 Online Help Resources



EN: Alternatively, please visit our Service & Support webpage to find FAQs, videos, service bulletins, and more; www.boschheatingcooling.com/service or use your cellphone to scan the code below.

Índice

1	Explicación de los símbolos e indicaciones de seguridad	8
1.1	Explicación de los símbolos	8
1.2	Indicaciones de seguridad	8
1.3	Instrucciones de seguridad	9
1.4	Advertencia: Declaración de la FCC	9
2	Datos sobre el producto	10
2.1	Volumen del suministro	10
2.2	Vista general del producto	10
2.3	Vista general de controles	10
2.4	Vista general de interfaz de usuario	10
2.5	Especificaciones del producto	10
3	Instalación	10
3.1	Instalación de filtro	10
4	Funcionamiento	11
4.1	Conocimiento del anillo de luz de calidad de aire	11
4.2	Activación ON/OFF	11
4.3	Cambio de ajuste de modo	11
5	Mantenimiento y limpieza	11
5.1	Limpieza de la carcasa del limpiador de aire	11
5.2	Limpieza de la sonda de partículas	11
5.3	Limpieza del filtro	11
5.4	Sustitución del filtro	12
5.5	Reajuste del filtro	12
6	Desplazamiento y almacenamiento	12
7	Subsanación de las averías	12
8	Protección del medio ambiente y eliminación de residuos	13
9	Recursos de ayuda en línea	13


1 Explicación de los símbolos e indicaciones de seguridad


1.1 Explicación de los símbolos


Advertencias

En las advertencias, las palabras de señalización indican el tipo y la gravedad de las consecuencias que conlleva la inobservancia de las medidas de seguridad indicadas para evitar riesgos.

Las siguientes palabras de señalización están definidas y pueden utilizarse en el presente documento:


 **PELIGRO**
PELIGRO significa que pueden haber daños personales graves.

 **ADVERTENCIA**
ADVERTENCIA advierte sobre la posibilidad de que se produzcan daños personales de graves a mortales.

 **ATENCIÓN**
ATENCIÓN indica que pueden producirse daños personales de leves a moderados.

AVISO
AVISO significa que puede haber daños materiales.

Información importante

 La información importante que no conlleve riesgos personales o materiales se indicará con el símbolo que se muestra a continuación.

Otros símbolos

Símbolo	Significado
▶	Procedimiento
→	Referencia cruzada a otro punto del documento
•	Enumeración/punto de la lista
–	Enumeración/punto de la lista (2º. nivel)

Tab. 5

1.2 Indicaciones de seguridad

Lea detenidamente este manual de usuario antes de utilizar el aparato y guárdelo para consultarlo en el futuro.

Peligro

- No limpie el aparato con ningún líquido o agente de limpieza inflamable. No derrame líquido sobre el aparato para evitar descargas de corriente, peligro de fuego o daños en la estructura interior del filtro.
- No pulverice ningún material inflamable como insecticidas, alcohol o perfume cerca del aparato.

Advertencia

- Compruebe si el voltaje indicado en el aparato corresponde al voltaje local antes de conectar el aparato.
- Asegúrese de que el cable de corriente no atraviesa áreas de mucho tráfico para evitar desgaste, sobrecalentamiento o tropiezos.
- Si el cable de corriente o cualquier otro componente del aparato está dañado, encargue su sustitución inmediatamente a un técnico autorizado Bosch.
- No utilice el aparato si está dañado el conector, el cable de alimentación o el propio aparato.
- El manejo, la limpieza y el mantenimiento del aparato deben ser realizados por adultos.
- No bloquee la entrada y la salida de aire, p. ej., por objetos colocados en la salida de aire o delante de la entrada de aire.
- Asegúrese de que ningún cuerpo extraño cae dentro del aparato a través de la salida de aire.
- No caliente el filtro ni el aparato para evitar daños del aparato o peligro de incendio.

Atención

- Este aparato no sustituye una ventilación adecuada, la limpieza periódica por aspiración o el uso de una campana extractora o un ventilador mientras se cocina.
- Sustituya y utilice siempre el aparato sobre una superficie seca, estable, nivelada y horizontal.
- Deje como mínimo 8 in (20 cm) de espacio libre alrededor del aparato y como mínimo 12 in (30 cm) de espacio libre por encima del aparato.
- No se siente o se ponga de pie sobre el aparato. No ubique ningún objeto sobre el aparato.
- Para eliminar el filtro, selle el filtro en una bolsa desechable y siga los consejos de las autoridades sanitarias locales para el manejo de superficies potencialmente infectadas.
- Utilice solamente los filtros Bosch originales previstos especialmente para este aparato. No utilice ningún otro filtro.
- No utilice el filtro como combustible o para fines similares. La combustión del filtro puede causar daños irreversibles para las personas o poner en peligro las vidas de otras personas.
- Evite golpear el aparato (especialmente la entrada y la salida de aire) con objetos duros.
- No introduzca los dedos ni cualquier otro objeto en la salida de aire o la entrada de aire para evitar lesiones físicas o un mal funcionamiento del aparato.
- Si el aparato está bloqueado, encargue su revisión inmediatamente a un técnico autorizado Bosch.
- No utilice el aparato si se fuma en el interior, si se utilizan insecticidas, desinfectantes o en lugares con residuos oleosos, incienso quemado o vapores químicos.
- No utilice el aparato cerca de aparatos de gas, dispositivos de calefacción ni chimeneas.
- Asegúrese de desconectar el aparato si desea desplazarlo, limpiarlo, sustituir el filtro o realizar cualquier otro trabajo de mantenimiento.
- Supervise los niños pequeños para asegurarse de que no estén jugando con el aparato.
- Este aparato no está previsto para ser usado por personas con capacidades físicas, sensoriales o mentales reducidas (incluidos los niños) o que no tengan suficiente experiencia ni conocimientos, a no ser que se les haya dado la supervisión o instrucción en cuanto al uso del aparato por una persona responsable por su seguridad.

- Este aparato puede ser usado por niños a partir de 8 años y personas con capacidades físicas, sensoriales o mentales reducidas o por personas con poca experiencia y conocimientos si han obtenido las instrucciones correctas acerca de cómo utilizar el aparato de una manera segura y conocen los peligros implicados.
- No dejar que los niños jueguen con el aparato. No deje que los niños realicen los trabajos de limpieza y de mantenimiento que le corresponden al usuario sin la debida supervisión.
- El aparato está diseñado para su uso en aplicaciones domésticas en interiores en condiciones de funcionamiento normales.
- No utilice el aparato en entornos húmedos ni entornos con humedad elevada o altas temperaturas.
- El aparato no elimina monóxido de carbono (CO) ni radón (Rn). No debe utilizarse para limpiar sustancias químicas peligrosas ni accidentes de combustión.
- La temperatura recomendada para el uso del aparato es entre 41°F y 113°F (5 °C y 45 °C), el nivel de humedad relativa es ≤ 85 %. El dispositivo puede dejar de funcionar o resultar dañado si no se respeta la temperatura ni el nivel de humedad recomendado.
- El rango de temperatura recomendado para el almacenaje del dispositivo es entre -68°F y 131°F (-20 °C y 55 °C). El dispositivo resultará dañado si se almacena en áreas que exceden este rango de temperatura.
- El nivel de presión acústica de emisión es inferior a 70 dB(A).

1.3 Instrucciones de seguridad**ADVERTENCIA****Para reducir el riesgo de incendio o descarga eléctrica.**

- ▶ No utilice el ventilador con ningún dispositivo de control de velocidad de estado sólido.

**ADVERTENCIA****Para reducir el riesgo de incendio, descargas eléctricas o lesiones a las personas.**

- ▶ No utilizar piezas de recambio no recomendadas por el fabricante.

1.4 Advertencia: Declaración de la FCC**Declaración de modificaciones**

Bosch Thermotechnology Corp. no ha aprobado ningún cambio o modificación de este dispositivo por parte del usuario. Cualquier cambio o modificación podría anular la autoridad del usuario para operar el equipo.

Declaración de interferencia

Este dispositivo cumple con la parte 15 de las normas de la FCC y Industria de Canada-exempt RSS. El funcionamiento está sujeto a las dos condiciones siguientes: (1) este dispositivo no puede causar interferencia dañina y (2) este dispositivo debe aceptar cualquier interferencia recibida, incluida la interferencia que pueda causar un funcionamiento no deseado.

Advertencia: exposición a radiofrecuencia

Este equipo cumple con los límites de exposición a la radiación por radiofrecuencia (RF) FCC/ RSS-102 de ISED establecidos para un entorno no controlado. Se debe instalar y operar este equipo con una distancia mínima de 8 in (20 cm) entre la antena y su cuerpo.

Declaración de dispositivo digital FCC Class B

Este equipo ha sido probado y cumple con los límites para un dispositivo digital de clase B, de conformidad con la parte 15 de las reglas de la FCC. Estos límites están diseñados para brindar una protección razonable contra interferencias dañinas en una instalación residencial. Este equipo genera, usa y puede irradiar energía de radiofrecuencia y, si no se instala y utiliza de acuerdo con las instrucciones, puede causar interferencias dañinas en las comunicaciones por radio. Sin embargo, no hay garantías de que no se produzcan interferencias en una instalación en particular. Si este equipo causa interferencias dañinas en la recepción de radio o televisión, lo que se puede determinar apagando y encendiendo el equipo, se recomienda al usuario que intente corregir la interferencia mediante una o más de las siguientes medidas:

- Reorientar o reubicar la antena receptora.
- Aumentar la separación entre el equipo y el receptor.
- Conectar el equipo a una toma de un circuito diferente del que está conectado el receptor.
- Consultar al distribuidor o a un técnico experimentado en radio/TV para obtener ayuda.

2 Datos sobre el producto

2.1 Volumen del suministro

[→Figura 1 Volumen del suministro Air 4000]

- [1] Limpiador de aire
- [2] Documentación técnica
- [3] Transformador

2.5 Especificaciones del producto

Producto	Air 2000	Air 4000	Air 6000
CADR	106 CFM – 180 m³/h	177 CFM – 300 m³/h	353 CFM – 600 m³/h
Eficiencia	162 ft2 (AHAM) – 37.5 m²	269 ft2 (AHAM) – 65 m²	549 CFM (AHAM) – 125m²
Tension nominal	120V/60 Hz	120V/60 Hz	120V/60 Hz
Potencia nominal	20W	24W	50W
Consumo de energía en espera	2W	2W	2W
Nivel de ruido	25 ~ 49 dB	25 ~ 49 dB	25 ~ 55dB
Condiciones de funcionamiento	41°F ~ 113°F (5 °C ~ 45 °C), <85% RH	41°F ~ 113°F (5 °C ~ 45 °C), <85% RH	41°F ~ 113°F (5 °C ~ 45 °C), <85% RH
Dimensiones	9.25 x 9.25 x 15.28 in / 388 x 235 x 235 mm	11.46 x 11.46 x 19.69 in / 500 x 291 x 291 mm	12.76 x 12.76 x 29.37 in / 746 x 324 x 324 mm
Peso	6.6 lbs – 3Kg	9.92 lbs – 4.5Kg	17.9 lbs – 8.1Kg

Tab. 6

3 Instalación

3.1 Instalación de filtro

- ▶ Colocar el aparato horizontalmente sobre una superficie estable.
- ▶ Girar y tirar de la chapa de fondo del aparato y desmontarla del aparato.
- ▶ Tirar del filtro fuera del aparato.
- ▶ Desmontar la cubierta de plástico del filtro de purificación de aire.
- ▶ Introducir de nuevo el filtro en el aparato.
- ▶ Volver a montar la chapa de fondo.

[→Figura 5 Abrir la chapa de fondo]

2.2 Vista general del producto

[→Figura 2 Vista general del producto Air 4000]

- [1] Carcasa
- [2] Filtro
- [3] Chapa de fondo

2.3 Vista general de controles

[→Figura 3 Vista general de controles Air 4000]

- [1] Pantalla digital
- [2] Modo manual
- [3] Temporizador
- [4] Botón de encendido
- [5] Seguro a prueba de niños
- [6] Anillo de luz
- [7] Estado de filtro
- [8] Modo silencioso
- [9] Modo automático

2.4 Vista general de interfaz de usuario

[→Figura 4 Vista general de interfaz de usuario - Air 4000]

- [1] Estado de filtro
- [2] Temporizador
- [3] Wifi
- [4] Limpieza necesaria
- [5] Seguro a prueba de niños
- [6] Valor PM 2.5
- [7] Nivel de velocidad de ventilador
- [8] Modo automático
- [9] Modo silencioso
- [10] Modo manual

[→Figura 6 Tirar de la chapa de fondo y desmontar la cubierta de plástico]

[→Figura 7 Volver a montar la chapa de fondo]

4 Funcionamiento

4.1 Conocimiento del anillo de luz de calidad de aire

El anillo de luz indica la calidad del aire. Enciende todos los colores sucesivamente cuando se enciende el purificador de aire. Después de aproximadamente 30 segundos, el sensor de partículas selecciona el color que corresponde a la calidad de aire circundante de partículas en suspensión, según la tabla 2.

PM2.5

PM2.5 hace referencia a partículas ultrafinas en suspensión contaminantes de menos de 2,5 micrometros. Se consideran PM2.5 la mayoría de las partículas contaminantes de aire en el interior como: humo de tabaco, de cocina o de velas encendidas, algunas bacterias en suspensión y esporas de moho más pequeñas, los alérgenos de animales y las partículas alérgicas de los ácaros del polvo también se consideran PM2.5.

El sensor COV escanea el aire continuamente para detectar las partículas ultrafinas. Esta información aparece continuamente en la indicación digital y en el anillo de luz, e informa sobre PM2.5 en tiempo real.

Color de luz de calidad de aire	Nivel de calidad de aire	Nivel PM2.5
Azul	Bueno	0-12
Púrpura	OK	13-35
Anaranjado	Pobre	36-55
Rojo	Malo	> 56

Tab. 7 Colores de luz de calidad de aire y niveles PM2.5

4.2 Activación ON/OFF

- ▶ Introducir el conector del limpiador de aire en el enchufe de corriente.
- ▶ Tocar para encender el limpiador de aire.
- ▶ Volver a pulsar el botón para apagar el limpiador de aire.

Nota

- Para un rendimiento de limpieza óptimo, cierre las puertas y las ventanas.
- Mantenga las cortinas alejadas de la entrada de aire y de la salida de aire.
- El limpiador de aire funcionará en modo Auto de forma predeterminada.

4.3 Cambio de ajuste de modo

Modo Auto

- En el modo Auto, la calidad del aire se registra en tiempo real y el aparato ajusta automáticamente la velocidad del ventilador en función de la calidad de aire interior.

Modo manual

- En el modo manual es posible ajustar la velocidad del ventilador (entre número de revoluciones 1 y número de revoluciones 3). Pulsar el botón para cambiar la velocidad deseada.

Modo silencioso

- En el modo silencioso el limpiador de aire funciona en silencio a una velocidad baja y todas las luces están atenuadas.

Modo temporización

- En el modo temporización es posible ajustar el reloj conmutador (entre 1 y 12 horas) para apagar el dispositivo.

5 Mantenimiento y limpieza

5.1 Limpieza de la carcasa del limpiador de aire

Limpiar periódicamente el interior y el exterior de la carcasa del limpiador de aire para evitar que el aire se acumule.

- ▶ Limpiar la superficie con un trapo húmedo.
- ▶ Utilizar un trapo seco, suave para limpiar el interior y el exterior del limpiador de aire y de la salida de aire.

5.2 Limpieza de la sonda de partículas

Nota:

- Si el limpiador de aire se utiliza en un entorno polvoriento, puede ser necesario limpiarlo con más frecuencia.
- Si el nivel de humedad de la habitación es muy alto, puede formarse condensación en el sensor de partículas y la luz de calidad de aire puede indicar peor calidad, aunque la calidad de aire sea buena. Si ocurre esto, limpiar el sensor de partículas.

Limpiar el sensor de partículas una vez al mes para un funcionamiento óptimo del aparato.

- ▶ Apagar el limpiador de aire y desconectar del enchufe de corriente.
- ▶ Tirar de la cubierta trasera fuera del sensor y desmontarla del aparato.
- ▶ Limpiar el sensor de partículas con un hisopo de algodón húmedo.
- ▶ Secar todas las piezas con un hisopo algodón seco.
- ▶ Volver a montar la cubierta del sensor.

[→Figura 8 Cubierta del sensor COV]

[→Figura 9 Limpieza del sensor COV]

5.3 Limpieza del filtro



ATENCIÓN

Llevar máscara y guantes al limpiar la superficie del filtro o sustituir el filtro.


- ▶ Apagar el limpiador de aire y desconectarlo del enchufe de corriente.
- ▶ Colocar el aparato horizontalmente sobre una superficie estable.
- ▶ Girar y tirar de la chapa de fondo del aparato y desmontarla del aparato.
- ▶ Tirar del filtro fuera del aparato.
- ▶ Limpiar la superficie del filtro con un limpiador de vacío.
- ▶ Introducir de nuevo el filtro en el aparato.
- ▶ Presionar y girar la chapa de fondo.
- ▶ Volver a introducir el aparato en posición vertical.
- ▶ Introducir el conector del limpiador de aire en el enchufe de corriente.
- ▶ Tocar el botón de encendido para encender el aparato.
- ▶ Tocar la tecla reset/comprobación del estado de filtro .
- ▶ Lávese las manos tras limpiar el filtro.

[→Figura 10
Desmontaje y limpieza del filtro]

5.4 Sustitución del filtro



Llevar máscara y guantes al limpiar la superficie del filtro o sustituir el filtro.

El limpiador de aire está equipado con un testigo luminoso de sustitución de filtro  para garantizar que el filtro de purificación está en condiciones óptimas cuando el limpiador de aire está funcionando.



Reemplace el filtro antes el indicador muestre 0%.

AVISO

El filtro no se puede lavar ni reutilizar.




Apagar siempre el limpiador de aire y desenchufarlo de la salida eléctrica antes de sustituir el filtro.

- ▶ Apagar el limpiador de aire y desconectarlo del enchufe de corriente.
- ▶ Colocar el aparato horizontalmente sobre una superficie estable.
- ▶ Girar y tirar de la chapa de fondo del aparato.
- ▶ Tirar del filtro fuera del aparato.
- ▶ Desmontar la cubierta de plástico del nuevo filtro [→ Figura 6].
- ▶ Introducir el nuevo el filtro en el aparato.
- ▶ Presionar y girar la chapa de fondo.
- ▶ Volver a introducir el aparato en posición vertical.
- ▶ Introducir el conector del limpiador de aire en el enchufe de corriente.
- ▶ Tocar el botón de encendido  para encender el aparato.
- ▶ Tocar y mantener pulsada la tecla reset/comprobación del estado de filtro  para reajustar el contador de tiempo de vida útil del filtro.
- ▶ Lávese las manos tras sustituir el filtro.

Nota:

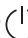

No oler el filtro ya que ha acumulado sustancias contaminantes del aire.

5.5 Reajuste del filtro

Si el contador de vida útil del filtro llega a 0 %, el filtro debe ser sustituido. El contador vuelve al 100 % después de pulsar el botón de filtro .

[→Figura 11 Vida útil del filtro alcanza 0 %]

El filtro debe sustituirse antes de que la vida útil del filtro llegue a 0 %. Es necesario reajustar el contador de vida útil del filtro manualmente tras su sustitución:

- ▶ Tocar el botón de encendido  para apagar el aparato y desenchufarlo del enchufe de corriente.
- ▶ Introducir el conector en el enchufe de corriente.
- ▶ Pulsar de forma prolongada el botón de filtro  para reajustar el contador de vida útil del filtro. La interfaz mostrará el mensaje de estado de filtro 100 %.

[→Figura 12 Vida útil del filtro alcanza 100 %]

El estado de filtro se visualiza constantemente en la parte superior izquierda de la pantalla digital.

6 Desplazamiento y almacenamiento

Desplazamiento

- Mantener el aparato sujeto con las dos manos al desplazarlo.

Almacenamiento

- ▶ Apagar el limpiador de aire y desconectarlo del enchufe de corriente.
- ▶ Limpiar el limpiador de aire, el sensor de partículas y la superficie del filtro (→ capítulo 5 "Mantenimiento y limpieza", página 11).
- ▶ Dejar que las piezas se sequen al aire antes de almacenarlas.
- ▶ Envolver el filtro en cubiertas de plástico herméticas.
- ▶ Almacenar el limpiador de aire y el filtro en un lugar frío y seco.
- ▶ Lávese las manos tras manejar el filtro.

7 Subsanación de las averías

Este capítulo incluye los problemas más habituales que pueden producirse con el aparato. Si no se encuentra la solución en la siguiente tabla, póngase en contacto con un técnico de servicio autorizado.

Problema	Posibles soluciones
El caudal de aire que sale de la salida de aire es mucho más débil que anteriormente.	La superficie del filtro está sucia. Limpiar la superficie del filtro (→ capítulo 5 "Mantenimiento y limpieza").
La calidad del aire no mejora, aunque el aparato haya estado funcionando durante un periodo de tiempo largo.	<ul style="list-style-type: none"> • Comprobar si se ha desmontado la cubierta de plástico del filtro. • El filtro no ha sido colocado en el aparato. Asegurarse de que el filtro está instalado correctamente. • La sonda de partículas está húmeda. El nivel de humedad de la habitación es alto y genera condensación. Asegurarse de que la sonda de partículas está limpia y seca (→ capítulo 5 "Mantenimiento y limpieza"). • El tamaño de la habitación es grande o la calidad del aire de salida es mala. Para un rendimiento de limpieza óptimo, cierre las puertas y las ventanas mientras el limpiador de aire está funcionando. • Hay partículas contaminantes en el interior. Por ejemplo, humo de tabaco, humo de cocina, incienso, perfume o alcohol. • El filtro ha alcanzado el final de la vida útil. Sustituir el filtro por uno nuevo.
El color de la luz de calidad de aire es siempre el mismo.	La sonda de partículas está sucia. Limpiar la sonda de partículas (→ capítulo 5 "Mantenimiento y limpieza"). La calidad del aire es buena, la luz debería ser azul en todo momento.

Problema	Posibles soluciones
El aparato genera un olor extraño.	Las primeras veces que se utiliza el aparato, puede generar olor a plástico. Esto es normal. Sin embargo, si el aparato genera olor a quemado incluso tras sustituir el filtro, póngase en contacto con el servicio técnico de asistencia. El filtro puede generar olor después de ser utilizado durante cierto tiempo debido a la absorción de gases interiores. Se recomienda colocar el filtro de carbono a la luz solar directa para reactivarlo. Si el olor continúa, sustituir el filtro.
El aparato hace mucho ruido.	<ul style="list-style-type: none"> • El aparato está funcionando a alta velocidad, como se ha ajustado en modo manual. • En el modo Auto, si el aparato hace mucho ruido puede estar funcionando a alta velocidad porque se ha detectado una mala calidad del aire. Cambiar a velocidad de ventilador más baja • Si hay un sonido extraño, póngase en contacto con el servicio técnico de asistencia. • Si gotea algo dentro de la salida de aire, puede provocar también un sonido alto extraño. Apagar inmediatamente el aparato, poner el aparato boca abajo para que salgan los objetos extraños.

Tab. 8 Problemas y soluciones

8 Protección del medio ambiente y eliminación de residuos

La protección del medio ambiente es uno de los principios empresariales del grupo Bosch.

La calidad de los productos, la productividad y la protección del medio ambiente representan para nosotros objetivos del mismo nivel. Las leyes y los reglamentos para la protección del medio ambiente son respetados de forma estricta.

Para la protección del medio ambiente utilizamos la mejor técnica y los mejores materiales posibles considerando los puntos de vista económicos.

Tipo de embalaje

En el embalaje seguimos los sistemas de reciclaje específicos de cada país, ofreciendo un óptimo reciclado.

Todos los materiales de embalaje utilizados son compatibles con el medio ambiente y recuperables.

Aparatos usados

Los aparatos viejos contienen materiales que pueden volver a utilizarse. Los materiales son fáciles de separar y los plásticos se encuentran señalados. Los materiales plásticos están señalizados. Así pueden clasificarse los diferentes grupos de construcción y llevarse a reciclar o ser eliminados.

9 Recursos de ayuda en línea



ES: Alternativamente, por favor visite nuestra página de soporte y servicio para encontrar preguntas frecuentes, videos, información sobre servicios y más; www.boschheatingcooling.com/service, o utilice su celular móvil para escanear el código mostrado abajo.

Sommaire

1	Explication des symboles et mesures de sécurité	14
1.1	Explications des symboles	14
1.2	Consignes de sécurité	14
1.3	Consignes de sécurité	15
1.4	Avis d'application de la réglementation FCC	15
2	Informations sur le produit	16
2.1	Contenu de la livraison	16
2.2	Vue d'ensemble du produit	16
2.3	Vue d'ensemble des commandes	16
2.4	Vue d'ensemble du tableau de commande	16
2.5	Spécifications du produit	16
3	Installation	16
3.1	Installation du filtre	16
4	Utilisation	17
4.1	Présentation du cercle lumineux relatif à la qualité de l'air	17
4.2	Interrupteur ON/OFF	17
4.3	Modification du réglage du mode	17
5	Nettoyage et maintenance	17
5.1	Nettoyage du boîtier du purificateur d'air	17
5.2	Nettoyage du capteur de particules	17
5.3	Nettoyage du filtre	17
5.4	Remplacement du filtre	18
5.5	Réinitialisation du filtre	18
6	Déplacement et stockage	18
7	Élimination des défauts	18
8	Protection de l'environnement et recyclage	19
9	Ressources d'aide en ligne	20


1 Explication des symboles et mesures de sécurité


1.1 Explications des symboles


Avertissements

Les mots de signalement des avertissements caractérisent le type et l'importance des conséquences éventuelles si les mesures nécessaires pour éviter le danger ne sont pas respectées.

Les mots de signalement suivants sont définis et peuvent être utilisés dans le présent document :


 **DANGER**
DANGER signale la survenue d'accidents graves à mortels en cas de non respect.

 **AVERTISSEMENT**
AVERTISSEMENT signale le risque de dommages corporels graves à mortels.

 **PRUDENCE**
PRUDENCE signale le risque de dommages corporels légers à moyens.

AVIS
AVIS signale le risque de dommages matériels.

Informations importantes

 Les informations importantes ne concernant pas de situations à risques pour l'homme ou le matériel sont signalées par le symbole d'info indiqué.

Autres symboles

Symbole	Signification
▶	Étape à suivre
→	Renvoi à un autre passage dans le document
•	Énumération/Enregistrement dans la liste
–	Énumération / Entrée de la liste (2e niveau)

Tab. 9

1.2 Consignes de sécurité

Lire attentivement ce manuel d'utilisation avant d'utiliser l'appareil et le conserver pour toute référence ultérieure.

Danger

- Ne pas nettoyer l'appareil avec un liquide ou un détergent inflammable. Ne pas déverser de liquide sur l'appareil, afin d'éviter tout risque d'électrocution, d'incendie et/ou de détérioration de la structure interne du filtre.
- Ne pas vaporiser de produits inflammables comme des insecticides, de l'alcool ou des parfums à proximité de l'appareil.

Avertissement

- Vérifier si la tension indiquée sur l'appareil correspond à la tension électrique locale avant de raccorder l'appareil.
- Pour éviter les risques d'effilochage, de surchauffe et de trébuchement, veiller à ce que le cordon d'alimentation ne se trouve pas dans des zones à forte circulation.
- Si le cordon d'alimentation, ou tout autre composant de l'appareil est endommagé, le faire remplacer immédiatement par un technicien agréé Bosch.
- Ne pas utiliser l'appareil si la fiche, le cordon d'alimentation ou l'appareil lui-même est endommagé.
- L'utilisation, le nettoyage et la maintenance de l'appareil doivent être effectués par des adultes.
- Ne pas bloquer l'entrée et la sortie d'air, par exemple en plaçant des objets sur la sortie d'air ou devant l'entrée d'air.
- Vérifier qu'aucun objet étranger ne tombe dans l'appareil par la sortie d'air.
- Ne pas faire chauffer le filtre ou l'appareil pour éviter d'endommager le dispositif ou de provoquer un incendie.

Prudence

- Cet appareil ne remplace pas une ventilation adéquate, un nettoyage régulier à l'aspirateur ou l'utilisation d'une hotte aspirante ou d'un ventilateur pendant la cuisson.
- Placer et utiliser toujours l'appareil sur une surface sèche, stable, plane et horizontale.
- Prévoir un espace libre d'au moins 20 cm autour de l'appareil et un autre d'au moins 30 cm au-dessus de l'appareil.
- Ne pas s'asseoir ni monter sur l'appareil. Ne pas poser d'objets sur l'appareil.
- Lors de la mise au rebut du filtre, le sceller dans un sac jetable et suivre les conseils des autorités sanitaires locales pour la manipulation des surfaces potentiellement infectées.
- Utiliser uniquement des filtres Bosch d'origine, spécialement prévus pour cet appareil. Ne pas utiliser d'autres filtres.
- Ne pas utiliser le filtre comme carburant ou à des fins similaires. La combustion du filtre peut provoquer un danger irréversible pour l'homme et/ou mettre en danger d'autres vies.
- Éviter de cogner l'appareil (en particulier l'entrée et la sortie d'air) avec des objets durs.
- Ne pas enfoncer les doigts ou des objets dans la sortie ou l'entrée d'air, afin d'éviter toute blessure physique ou tout dysfonctionnement de l'appareil.
- Si l'appareil est obstrué, le faire vérifier immédiatement par un technicien agréé Bosch.
- Ne pas utiliser l'appareil si l'on fume à l'intérieur, si un insecticide ou un désinfectant a été utilisé, ou dans des endroits présentant des résidus huileux, de l'encens ou des fumées chimiques.
- Ne pas utiliser l'appareil à proximité d'appareils à gaz, de dispositifs de chauffage ou de cheminées.
- Veiller à débrancher l'appareil lorsqu'il doit être déplacé ou nettoyé, pour remplacer le filtre ou effectuer d'autres opérations de maintenance.
- Surveiller les enfants pour s'assurer qu'ils ne jouent pas avec l'appareil.
- Cette installation n'est pas conçue pour être utilisée par des personnes ayant des capacités physiques, sensorielles ou mentales réduites (y compris des enfants) ou dénuées d'expérience et de connaissance, sauf si elles sont correctement surveillées ou si des

instructions relatives à l'utilisation de l'installation leur ont été données par une personne chargée de leur sécurité.

- Cette installation peut être utilisée par des enfants âgés d'au moins 8 ans et par des personnes ayant des capacités physiques, sensorielles ou mentales réduites ou dénuées d'expérience ou de connaissance, s'ils (si elles) sont correctement surveillé(e)s ou si des instructions relatives à l'utilisation de l'installation en toute sécurité leur ont été données et si les risques encourus ont été appréhendés.
- Ne pas laisser les enfants jouer avec l'installation. Ne pas confier le nettoyage et l'entretien à la charge de l'usager à des enfants sans surveillance.
- L'appareil est conçu pour être utilisé dans des applications résidentielles intérieures, dans des conditions de fonctionnement normales.
- Ne pas utiliser l'appareil dans un environnement humide ou dans un environnement présentant une forte humidité ou des températures élevées.
- L'appareil n'élimine ni le monoxyde de carbone (CO) ni le radon (Rn). Il ne doit pas être utilisé pour nettoyer des produits chimiques dangereux ni des accidents de combustion.
- La température recommandée pour l'utilisation du dispositif est de 5 à 45 °C, le taux d'humidité relative est $\leq 85\%$. Le dispositif peut cesser de fonctionner ou être endommagé si la température et le taux d'humidité recommandés ne sont pas respectés.
- La plage de température recommandée pour le stockage du dispositif est comprise entre -20 et 55 °C. L'appareil sera endommagé s'il est stocké dans des endroits qui dépassent cette plage de température.
- Le niveau de pression acoustique de l'émission sonore est inférieur à 70 dB(A).

1.3 Consignes de sécurité



AVERTISSEMENT

Pour réduire le risque d'incendie ou de choc électrique.

- Ne pas utiliser le ventilateur avec un dispositif de contrôle de vitesse à l'état solide.



AVERTISSEMENT

Pour réduire le risque d'incendie, de choc électrique ou de blessure aux personnes.

- Ne pas utiliser de pièces de rechange non recommandées par le fabricant.

1.4 Avis d'application de la réglementation FCC

Déclaration de modification

Bosch Thermotechnology Corp. n'a approuvé aucun changement ou modification de cet appareil par l'utilisateur. Tout changement ou modification risque d'annuler le droit de l'utilisateur à utiliser l'équipement.

Déclaration d'interférence

Cet appareil est conforme à la partie 15 des règles de la FCC et à la norme/aux normes CNR exemptes de licence d'Industrie Canada. Le fonctionnement est soumis aux deux conditions suivantes : (1) cet appareil ne doit pas provoquer d'interférences, et (2) cet appareil doit accepter toute interférence, y compris les interférences pouvant provoquer un dysfonctionnement de l'appareil.

Avis sur le sans fil

Cet appareil est conforme aux limites d'exposition aux radiations fixées par la FCC pour un environnement non contrôlé et respecte les directives d'exposition aux radiofréquences (RF) de la FCC et au CNR-102 des règles d'exposition aux radiofréquences (RF) de l'ISDE. Cet émetteur ne doit pas être colocalisé ou fonctionner en conjonction avec une autre antenne ou un autre émetteur. Ce dispositif doit être installé et utilisé à plus de 20 cm du corps humain.

Avis de la FCC sur les appareils numériques de classe B

Cet équipement a été testé et déclaré conforme aux limites d'un appareil numérique de classe B conformément à la partie 15 des règles de la FCC. Ces limites sont conçues pour fournir une protection suffisante contre les interférences nuisibles dans une installation résidentielle. Cet équipement génère, utilise et peut émettre de l'énergie radiofréquence et, s'il n'est pas installé et utilisé conformément aux instructions, peut parasiter les communications radio. Toutefois, il n'est pas garanti qu'aucune interférence ne sera provoquée dans une installation particulière.

Si cet équipement provoque des interférences nuisibles à la réception radio ou télévision qui peuvent être déterminées en éteignant et en allumant l'équipement, l'utilisateur peut tenter de corriger les interférences en appliquant une ou plusieurs des mesures suivantes :

- Réorienter ou déplacer l'antenne de réception.
- Augmenter la distance entre l'équipement et le récepteur.
- Brancher l'équipement sur une prise et sur un circuit différent de celui sur lequel le récepteur est branché.
- Prendre contact avec un distributeur ou un technicien radio/TV expérimenté pour obtenir de l'aide.

2 Informations sur le produit

2.1 Contenu de la livraison

[→ Figure 1 Contenu de la livraison Air 4000]

- [1] Purificateur d'air
- [2] Documentation technique
- [3] Transformateur

2.5 Spécifications du produit

Produit	Air 2000	Air 4000	Air 6000
CADR	106 CFM – 180 m ³ /h	177 CFM – 300 m ³ /h	353 CFM – 600 m ³ /h
Efficacité	162 ft ² (AHAM) – 37.5 m ²	269 ft ² (AHAM) – 65 m ²	549 CFM (AHAM) – 125m ²
Tension	120V/60 Hz	120V/60 Hz	120V/60 Hz
Puissance nominale	20W	24W	50W
Consommation minimale	2W	2W	2W
Niveau sonore	25 ~ 49 dB	25 ~ 49 dB	25 ~ 55dB
Conditions de fonctionnement	-10 °C ~ 40 °C, <85% RH	-10 °C~ 40 °C, <85% RH	-10 °C~40 °C, <85% RH
Dimensions	9.25 x 9.25 x 15.28 in	11.46 x 11.46 x 19.69 in	12.76 x 12.76 x 29.37 in
Poids	6.6 lbs – 3Kg	9.92 lbs – 4.5Kg	17.9 lbs – 8.1Kg

Tab. 10

3 Installation

3.1 Installation du filtre

- ▶ Poser l'appareil à l'horizontale sur une surface stable.
- ▶ Tourner le cache inférieur de l'appareil et le retirer.
- ▶ Retirer le filtre de l'appareil.
- ▶ Retirer le cache en plastique du filtre de purification d'air.

2.2 Vue d'ensemble du produit

[→Figure 2 Vue d'ensemble du produit Air 4000]

- [1] Boîtier
- [2] Filtre
- [3] Cache inférieur

2.3 Vue d'ensemble des commandes

[→Figure 3 Vue d'ensemble des commandes Air 4000]

- [1] Affichage numérique
- [2] Mode Manuel
- [3] Programmeur
- [4] Bouton d'alimentation
- [5] Sécurité enfants
- [6] Cercle lumineux
- [7] État du filtre
- [8] Mode Silencieux
- [9] Mode Auto

2.4 Vue d'ensemble du tableau de commande

[→Figure 4 Vue d'ensemble du tableau de commande - Air 4000]

- [1] État du filtre
- [2] Programmeur
- [3] Wi-Fi
- [4] Nettoyage requis
- [5] Sécurité enfants
- [6] Valeur PM 2.5
- [7] Niveau de vitesse de rotation du ventilateur
- [8] Mode Auto
- [9] Mode Silencieux
- [10] Mode Manuel

- ▶ Remettre en place le filtre dans l'appareil.
- ▶ Remettre en place le cache inférieur.

[→Figure 5 Ouverture du cache inférieur

[→Figure 6 Extraction du cache inférieur et retrait du cache en plastique]

[→Figure 7 Remise en place du cache inférieur]

4 Utilisation

4.1 Présentation du cercle lumineux relatif à la qualité de l'air

Le cercle lumineux indique la qualité de l'air. Il allume toutes les couleurs les unes après les autres lors de la mise en marche du purificateur d'air. Après environ 30 secondes, le capteur de particules sélectionne la couleur qui correspond à la qualité de l'air ambiant en termes de particules en suspension, conformément au tableau 2.

PM2.5

La valeur PM2.5 désigne les particules polluantes ultrafines en suspension dans l'air, d'une taille inférieure à 2,5 micromètres. La plupart des polluants de l'air ambiant entrent dans la catégorie PM2.5, comme la fumée de tabac, la chaleur de cuisson et les bougies allumées, certaines bactéries en suspension dans l'air et les plus petites spores de moisissure, les particules d'allergènes d'animaux domestiques et d'acariens.

La sonde COV analyse l'air en permanence pour détecter les particules ultrafines. Ces données sont reportées en continu sur l'écran numérique et sur le cercle lumineux, fournissant ainsi un retour d'information en temps réel de la valeur PM2.5.

Couleur du voyant de la qualité de l'air	Niveau de qualité de l'air	Niveau PM2.5
Bleu	Bon	0-12
Violet	OK	13-35
Orange	Médiocre	36-55
Rouge	Mauvais	> 56

Tab. 11 Couleurs des voyants de la qualité de l'air et niveaux PM2.5

4.2 Interrupteur ON/OFF

- ▶ Insérer la fiche du purificateur d'air dans la prise de courant.
- ▶ Appuyer sur pour mettre le purificateur d'air en marche.
- ▶ Appuyer à nouveau sur le bouton pour désactiver le purificateur d'air.

Remarque

- Pour des performances de purification optimales, fermer les portes et les fenêtres.
- Éloigner les rideaux de l'entrée ou de la sortie d'air.
- Le purificateur d'air fonctionne dans le mode Auto par défaut.

4.3 Modification du réglage du mode

Mode Auto

- Dans le mode Auto, la qualité de l'air est enregistrée en temps réel, et l'appareil ajuste automatiquement la vitesse de rotation du ventilateur en fonction de la qualité de l'air ambiant.

Mode Manuel

- Dans le mode manuel, il est possible de régler la vitesse de rotation du ventilateur (entre la vitesse 1 et 3). Appuyer sur le bouton pour régler la vitesse désirée.

Mode Silencieux

- Dans le mode Silencieux, le purificateur d'air fonctionne silencieusement à faible vitesse et toutes les lumières sont atténuées.

Mode Programmeur

- Dans le mode Programmeur, il est possible de régler le programmeur (entre 1 et 12 heures) pour éteindre le dispositif.

5 Nettoyage et maintenance

5.1 Nettoyage du boîtier du purificateur d'air

Nettoyer régulièrement l'intérieur et l'extérieur du boîtier du purificateur d'air pour éviter toute accumulation de poussière.

- ▶ Essuyer la surface avec un chiffon humide.
- ▶ Utiliser un chiffon doux et sec pour nettoyer l'intérieur et l'extérieur du purificateur d'air ainsi que la sortie d'air.

5.2 Nettoyage du capteur de particules

Remarque :

- Si le purificateur d'air est utilisé dans un environnement poussiéreux, il peut être nécessaire de le nettoyer plus souvent.
- Si le taux d'humidité de la pièce est très élevé, de la condensation peut se former sur le capteur de particules et le voyant de qualité de l'air peut indiquer une qualité inférieure même si la qualité de l'air est bonne. Si cela se produit, nettoyer le capteur de particules.

Nettoyer le capteur de particules tous les mois pour garantir le fonctionnement optimal de l'appareil.

- ▶ Désactiver le purificateur d'air et le débrancher de la prise de courant.
- ▶ Tirer le cache inférieur du capteur pour le retirer de l'appareil.
- ▶ Nettoyer le capteur de particules avec un coton-tige humide.
- ▶ Sécher toutes les parties avec un coton-tige sec.
- ▶ Remonter le cache du capteur.

[→Figure 8 Cache de la sonde COV]

[→Figure 9 Nettoyage de la sonde COV]

5.3 Nettoyage du filtre



PRUDENCE

Porter un masque et des gants pour nettoyer la surface du filtre et/ou remplacer le filtre.

- ▶ Désactiver le purificateur d'air et le débrancher de la prise de courant.
- ▶ Poser l'appareil à l'horizontale sur une surface stable.
- ▶ Tourner le cache inférieur pour le retirer de l'appareil.
- ▶ Retirer le filtre de l'appareil.
- ▶ Nettoyer la surface du filtre à l'aide d'un aspirateur.
- ▶ Remettre en place le filtre dans l'appareil.
- ▶ Pousser et tourner le cache inférieur.
- ▶ Remettre l'appareil en position verticale.
- ▶ Insérer la fiche du purificateur d'air dans la prise de courant.
- ▶ Appuyer sur le bouton d'alimentation pour allumer l'appareil.
- ▶ Appuyer le bouton de vérification/réinitialisation de l'état du filtre .
- ▶ Se laver les mains après avoir nettoyé le filtre.


[→Figure 10
Retrait et nettoyage du filtre]

5.4 Remplacement du filtre



PRUDENCE

Porter un masque et des gants pour nettoyer la surface du filtre et/ou remplacer le filtre.

Le purificateur d'air est équipé d'un indicateur de remplacement du filtre  pour garantir que le filtre de purification de l'air est dans un état optimal lorsque le purificateur d'air fonctionne.

Remplacer le filtre avant que l'indicateur ne tourne à 0 %.


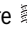
AVIS

Le filtre n'est ni lavable ni réutilisable.



PRUDENCE


Toujours désactiver le purificateur d'air et le débrancher de la prise électrique avant de remplacer le filtre.

- ▶ Désactiver le purificateur d'air et le débrancher de la prise de courant.
- ▶ Poser l'appareil à l'horizontale sur une surface stable.
- ▶ Tourner le cache inférieur pour le retirer de l'appareil.
- ▶ Retirer le filtre de l'appareil.
- ▶ Retirer le cache en plastique du nouveau filtre [→ Figure 6].
- ▶ Mettre en place le nouveau filtre dans l'appareil.
- ▶ Pousser et tourner le cache inférieur.
- ▶ Remettre l'appareil en position verticale.
- ▶ Insérer la fiche du purificateur d'air dans la prise de courant.
- ▶ Appuyer sur le bouton d'alimentation  pour allumer l'appareil.
- ▶ Appuyer et maintenir le bouton de vérification/réinitialisation de l'état du filtre  pour réinitialiser le compteur de durée de vie du filtre.
- ▶ Se laver les mains après avoir remplacé le filtre.

Remarque :

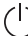

Ne pas sentir le filtre, car il a capté les polluants de l'air.

5.5 Réinitialisation du filtre

Lorsque le compteur de durée de vie du filtre atteint 0 %, le filtre doit être remplacé. Le compteur revient à 100 % après avoir appuyé sur le bouton du filtre .

[→Figure 11 Durée de vie du filtre atteignant 0 %]

Le filtre peut être remplacé avant que sa durée de vie atteigne 0 %. Le compteur de durée de vie du filtre doit être réinitialisé manuellement après son remplacement :

- ▶ Appuyer sur le bouton d'alimentation  pour désactiver l'appareil et le débrancher de la prise de courant.
- ▶ Insérer la fiche dans la prise de courant.
- ▶ Appuyer longuement sur le bouton du filtre  pour réinitialiser le compteur de durée de vie du filtre. L'interface affiche le message d'état du filtre 100 %.

[→Figure 12 Durée de vie du filtre atteignant 100 %]

L'état du filtre est constamment affiché en haut à gauche de l'écran numérique.

6 Déplacement et stockage

Déplacement

- Tenir l'appareil à deux mains pour le déplacer.

Stockage

- ▶ Désactiver le purificateur d'air et le débrancher de la prise de courant.
- ▶ Nettoyer le purificateur d'air, le capteur de particules et la surface du filtre (→ chapitre 5 "Nettoyage et maintenance", page 17).
- ▶ Laisser toutes les pièces sécher à l'air libre avant de stocker l'appareil.
- ▶ Emballer le filtre dans une housse en plastique hermétique.
- ▶ Conserver le purificateur d'air et le filtre dans un endroit sec et frais.
- ▶ Se laver les mains après avoir manipulé le filtre.

7 Élimination des défauts

Ce chapitre résume les problèmes les plus courants qui peuvent être rencontrés avec l'appareil. Si la solution ne figure pas dans le tableau ci-dessous, merci de contacter un technicien de maintenance agréé.

Problème	Solution possible
Le flux d'air émis par la sortie d'air est nettement plus faible qu'avant.	La surface du filtre est sale. Nettoyer la surface du filtre (→ chapitre 5 "Nettoyage et maintenance").
La qualité de l'air ne s'améliore pas, même si l'appareil fonctionne depuis longtemps.	<ul style="list-style-type: none"> • Vérifier si le cache en plastique a été retiré du filtre. • Le filtre n'a pas été inséré dans l'appareil. Vérifier que le filtre est correctement installé. • Le capteur de particules est humide. Le taux d'humidité dans la pièce est élevé et provoque de la condensation. Vérifier que le capteur de particules est propre et sec (→ chapitre 5 "Nettoyage et maintenance"). • La taille de la pièce est grande ou la qualité de l'air extérieur est médiocre. Pour des performances de purification optimales, fermer les portes et les fenêtres lorsque le purificateur d'air est utilisé. • Il y a des polluants intérieurs. Par exemple, de la fumée de cigarette ou de cuisson, de l'encens, du parfum ou de l'alcool. • La fin de vie du filtre est atteinte. Remplacer le filtre par un nouveau.

Problème	Solution possible
La couleur du voyant de qualité de l'air ne change pas.	Le capteur de particules est sale. Nettoyer le capteur de particules (→ chapitre 5 "Nettoyage et maintenance"). Si la qualité de l'air est bonne, le voyant doit être bleu en permanence.
L'appareil dégage une odeur étrange.	Lors de ses premières utilisations, l'appareil peut dégager une odeur de plastique. Il s'agit d'un phénomène normal. Toutefois, si l'appareil dégage une odeur de brûlé même après avoir retiré le filtre, contacter le service d'assistance. Le filtre peut dégager une odeur après une certaine période d'utilisation en raison de l'absorption des gaz intérieurs. Il est recommandé de réactiver le filtre à charbon en le mettant à la lumière directe du soleil. Si l'odeur persiste, remplacer le filtre.
L'appareil est très bruyant.	<ul style="list-style-type: none"> • L'appareil fonctionne à une vitesse élevée, comme réglé dans le mode Manuel. • Dans le mode Auto, si l'appareil est trop bruyant, il peut fonctionner à vitesse élevée, car une mauvaise qualité de l'air a été détectée. Basculer sur une vitesse de rotation inférieure du ventilateur. • Si un son inhabituel se manifeste, contacter le service d'assistance. • Si un objet tombe dans la sortie d'air, cela peut également causer un bruit inhabituel. Désactiver immédiatement l'appareil, puis le retourner pour en extraire les objets étrangers.

Tab. 12 Problèmes et solutions

8 Protection de l'environnement et recyclage

La protection de l'environnement est un principe de base du groupe Bosch.

Nous accordons une importance égale à la qualité de nos produits, à leur rentabilité et à la protection de l'environnement. Les lois et prescriptions concernant la protection de l'environnement sont strictement observées.

Pour la protection de l'environnement, nous utilisons, tout en respectant les aspects économiques, les meilleures technologies et matériaux possibles.

Emballages

En matière d'emballages, nous participons aux systèmes de mise en valeur spécifiques à chaque pays, qui visent à garantir un recyclage optimal.

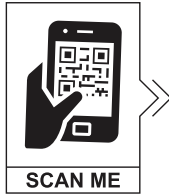
Tous les matériaux d'emballage utilisés respectent l'environnement et sont recyclables.

Appareils usagés

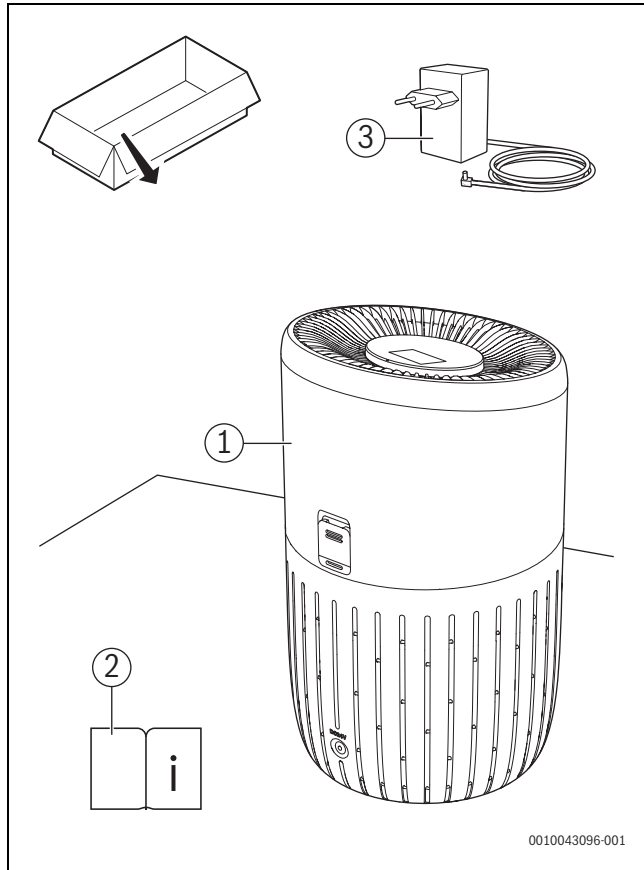
Les appareils usés contiennent des matériaux qui peuvent être réutilisés.

Les composants se détachent facilement. Les matières synthétiques sont marquées. Ceci permet de trier les différents composants en vue de leur recyclage ou de leur élimination.

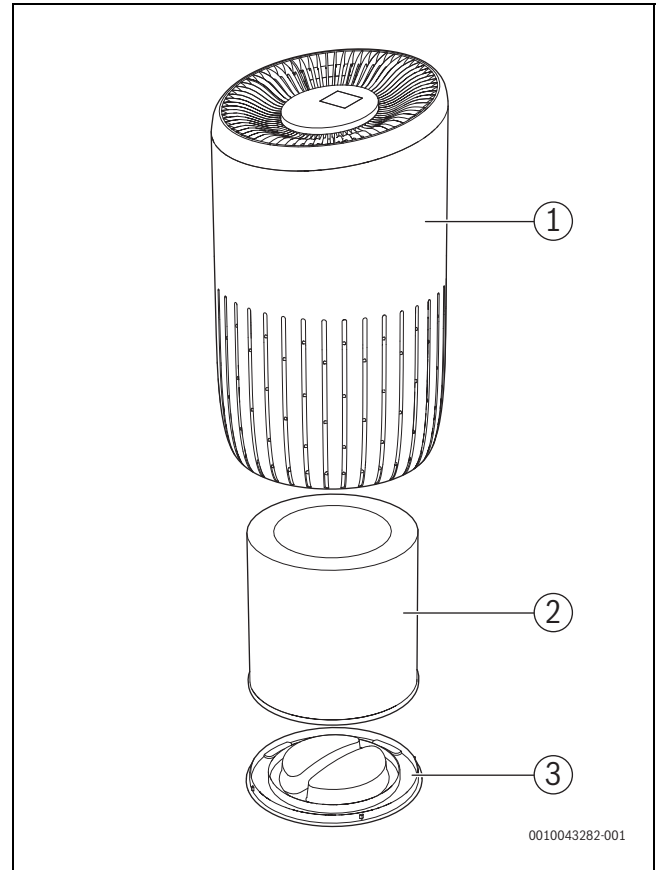
9 Ressources d'aide en ligne



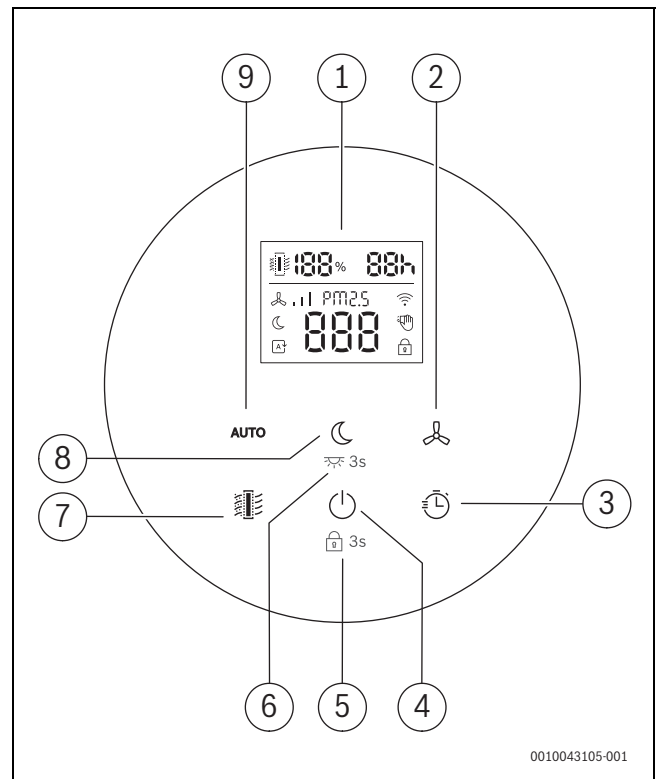
FR: Sinon, veuillez visiter notre page Service & Support pour trouver des FAQ, des vidéos, bulletins de service, et plus encore; www.boschheatingcooling.com/service ou utilisez votre téléphone portable pour scanner le code ci-dessous.



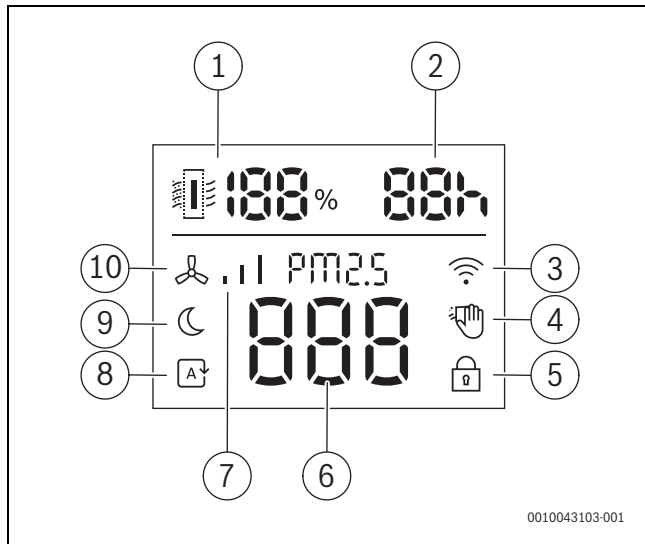
1



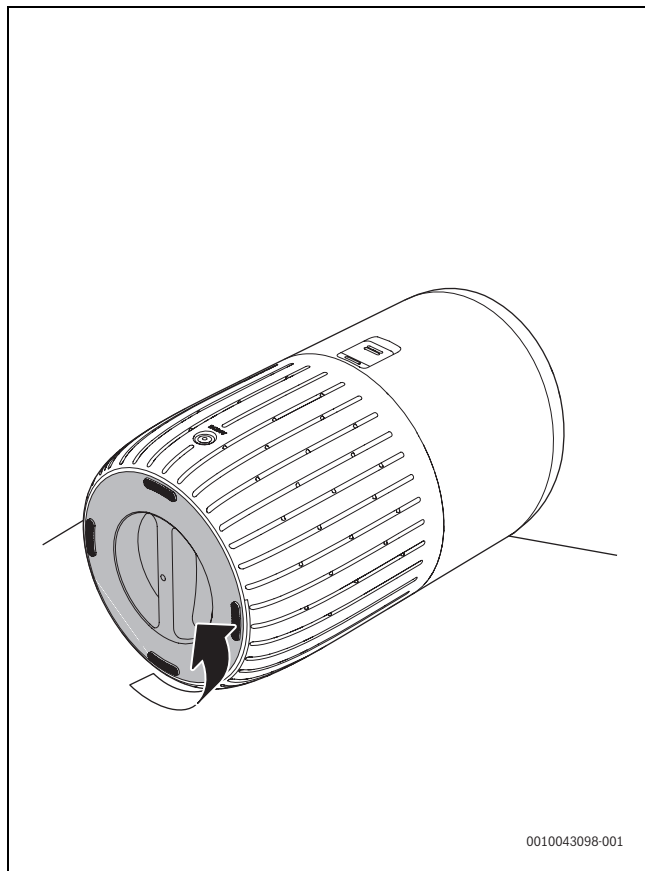
2



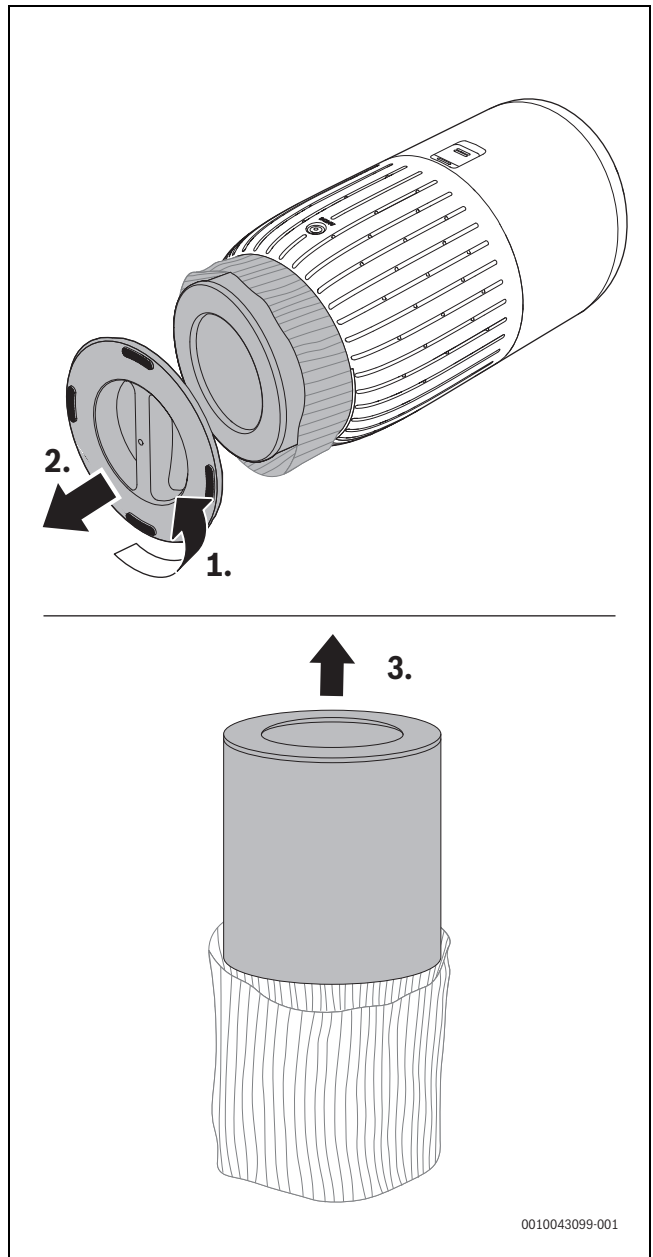
3



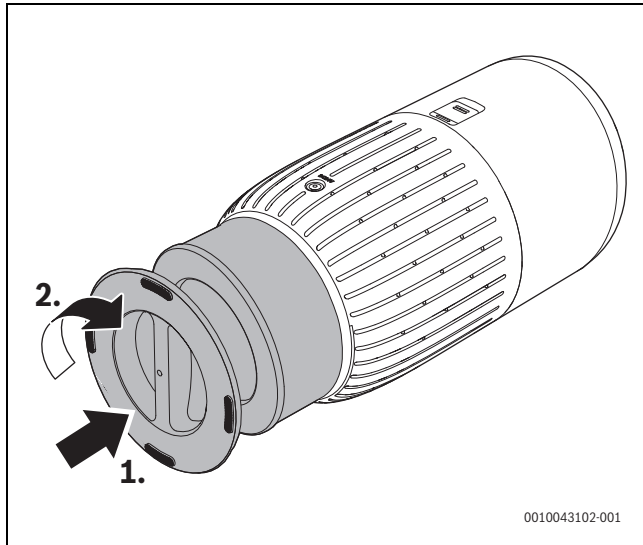
4



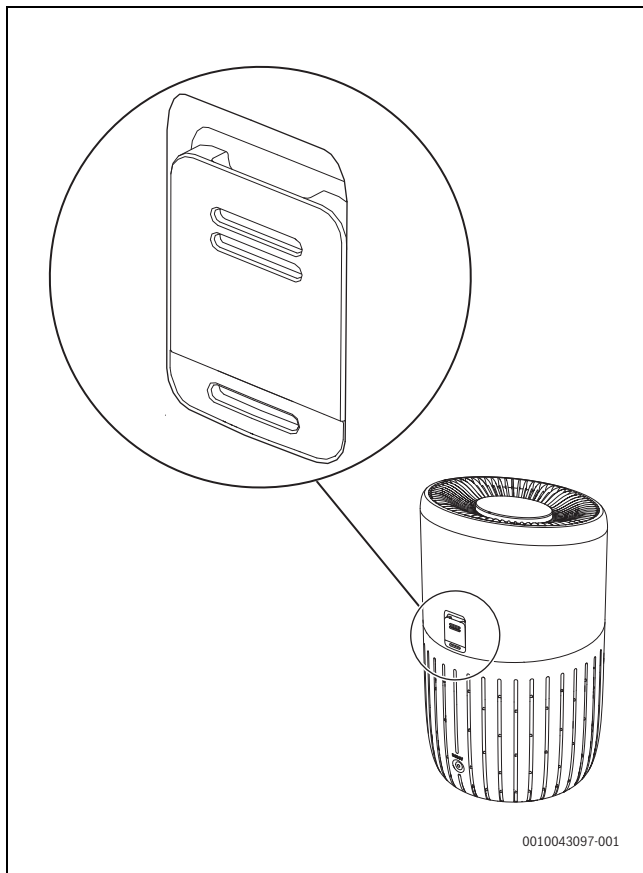
5



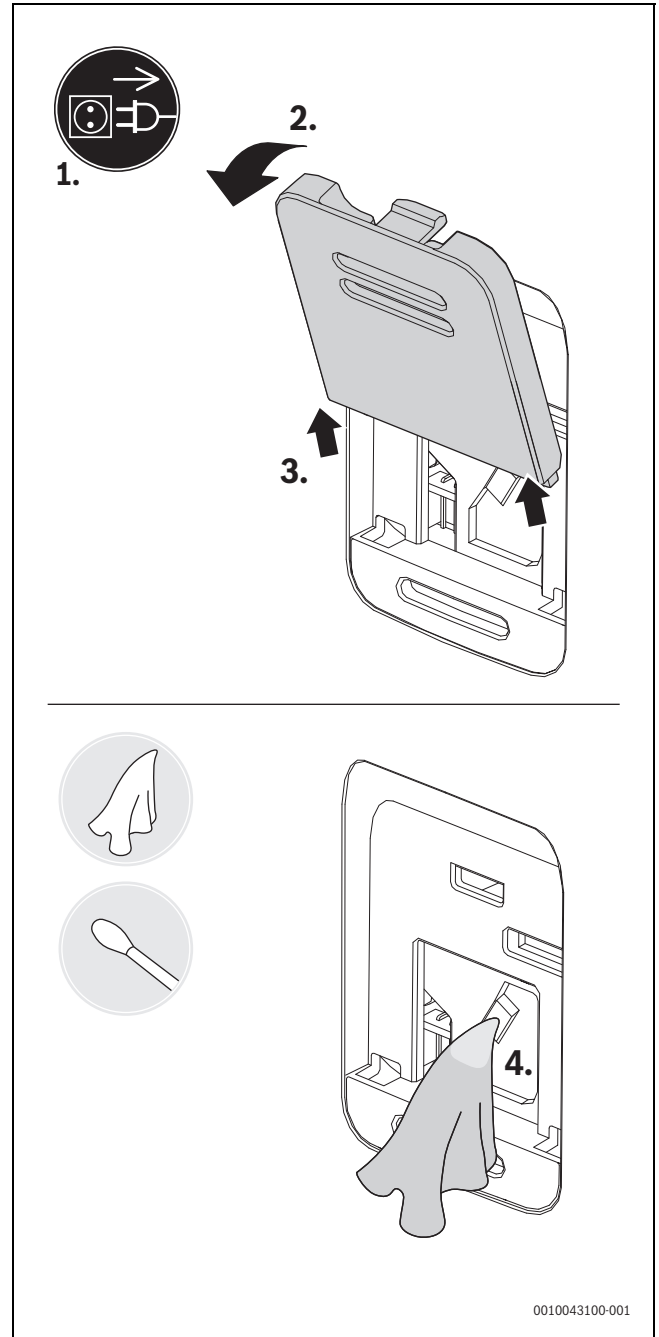
6



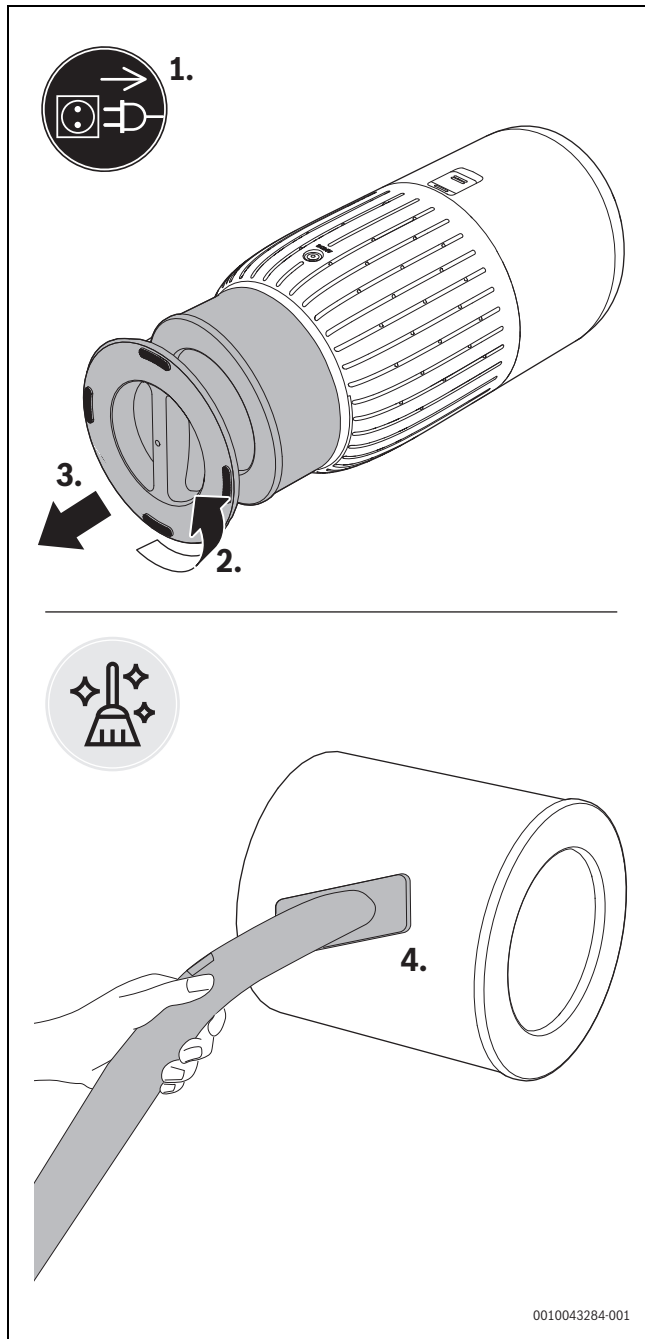
7



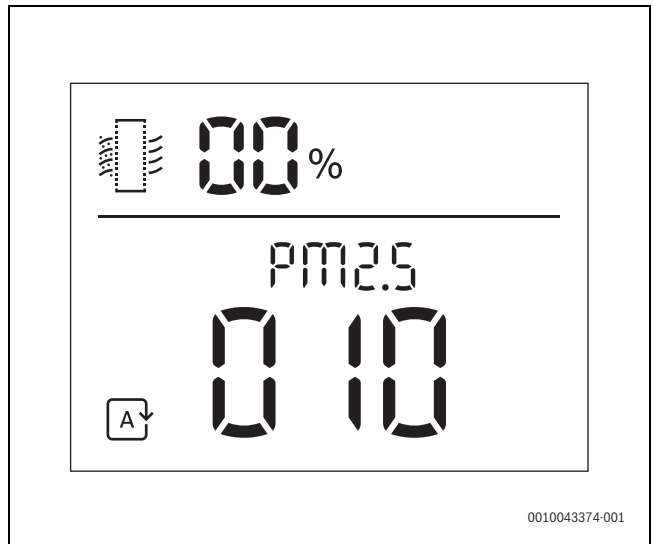
8



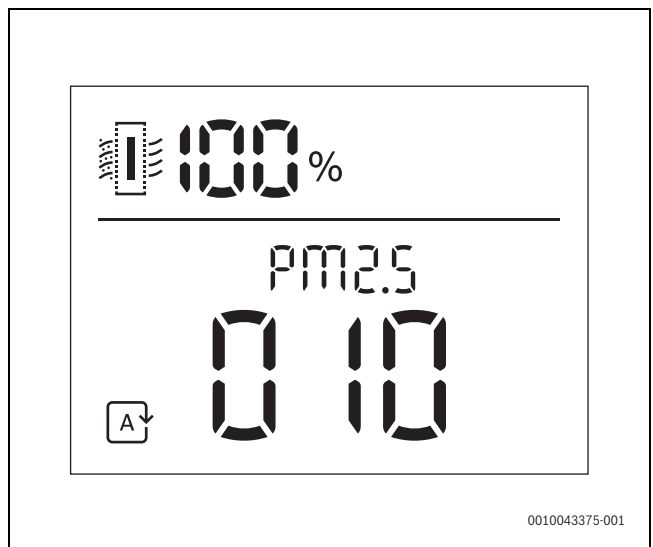
9



10



11



12







