

### 1 Duct Adapter Kit Overview

The duct adapter kit is required for the ducting the hybrid electric water heater GreenTronic 7000 T when sufficient air flow is unavailable. Refer to the product manual for further guidance.

**CAUTION**

**Personal injury, property damage!**

Be aware if using non-insulated ducting there is an increased risk of condensation on the exterior of the exhaust ducting. This may cause a slip hazard or damage to property.

### 2 Duct Adapter Kit Components

The following parts are included and are not sold individually:

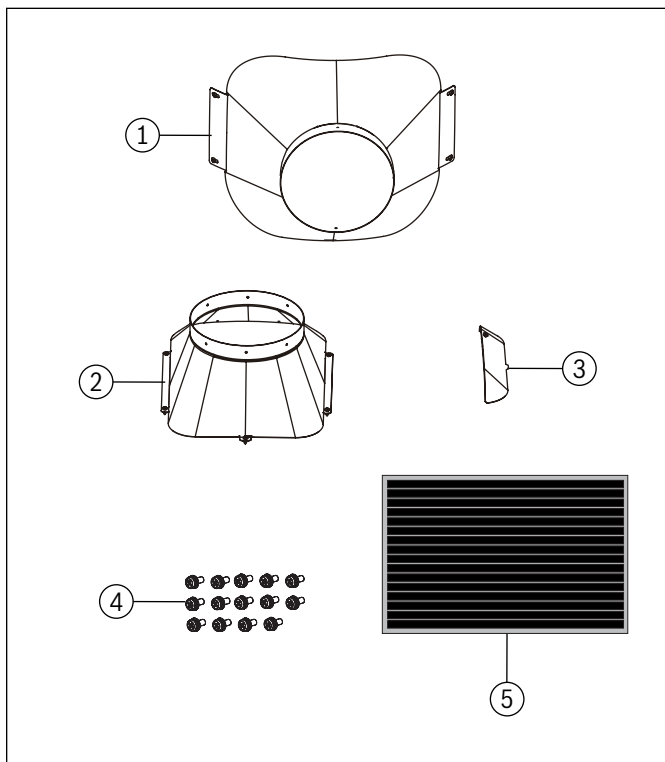


Figure 1

Item	Description	Qty
1	Exhaust duct adapter	1
2	Intake duct adapter	1
3	Opening cover for air filter access	1
4	Screws	10
5	Sealing gasket strips	4

Table 1

### 3 Installation

**DANGER**

**Hazardous voltage!**

Before performing any work on the water heater make sure the electrical supply to the water heater is disconnected. Failure to do this may result in DEATH, SERIOUS BODILY INJURY OR PROPERTY DAMAGE.

1. Disconnect power from water heater at the breaker so the water heater is isolated from the power supply.
2. Apply supplied adhesive gasket sealing strips to the outer edges of the duct adapters.

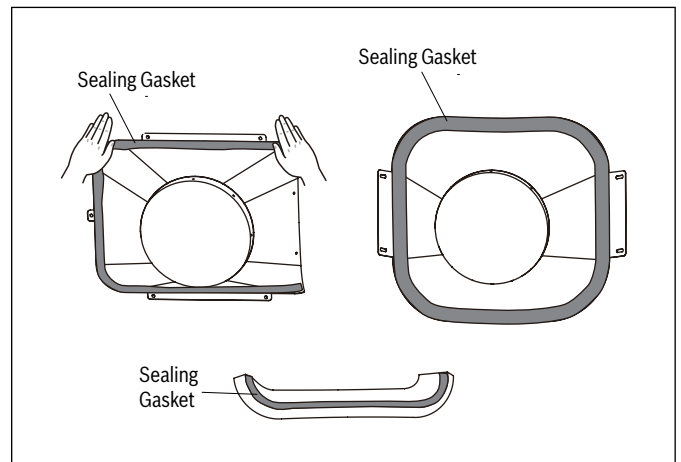


Figure 2

3. Mount duct adapters with screws to the unit.

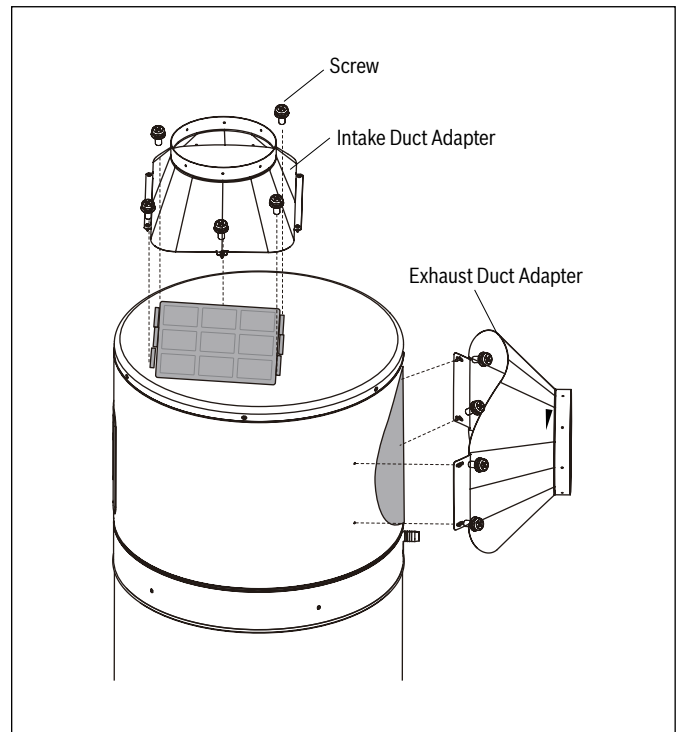


Figure 3

4. Connect ducting and secure properly.
5. Install proper termination for intake and exhaust.

**NOTICE****Product damage!**

Before energizing the water heater, make certain that the water heater is completely full of water and that the cold water inlet valve is open. If the heating elements are not completely immersed in water at all times, they will be damaged if energized for even a short time.

6. Turn on unit and enter advanced settings by pressing the setting icon for 3 seconds. Go to F40 setting and change value to 1 to account for ducting. Refer to manual for further details.

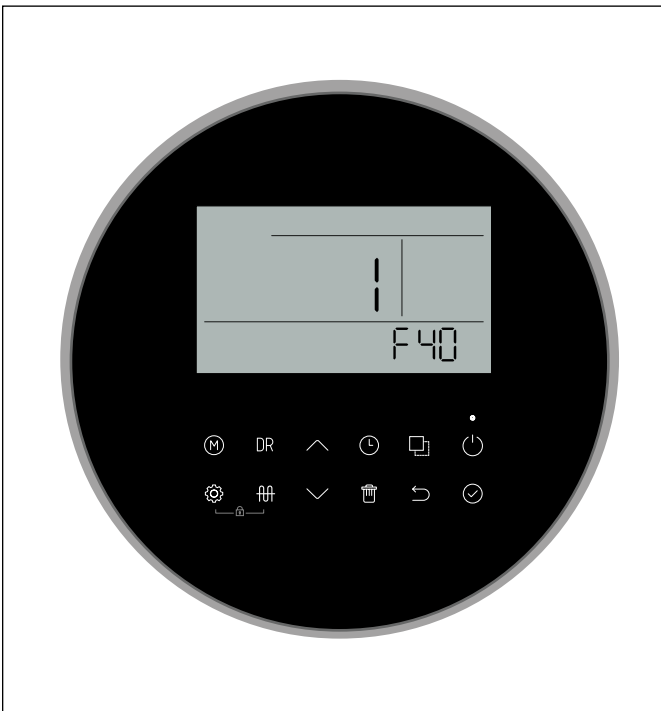


Figure 4