

1 Leak Detection Kit Overview

The leak protection kit is an optional accessory that can minimize the water damage of a leaking storage tank. When water is detected by the float sensor the automatic shutoff valve will prevent additional water from being added into the tank, limiting the leak potential to only the volume of water in the tank. The unit will show error code PH22 when water is detected and trigger an audible alarm.



This kit only works with the Bosch GreenTronic 7000T hybrid electric water heater.

2 Leak Detection Kit Components

The following parts are included with the Leak Detection Kit and are not sold individually:

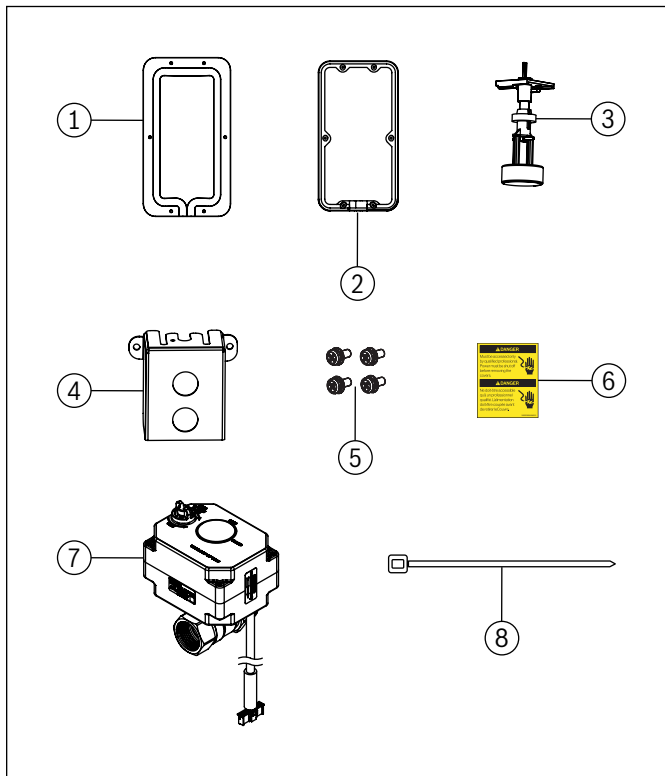


Figure 1

| Item | Description | Qty |
|------|------------------------------|-----|
| 1 | Heating element cover | 1 |
| 2 | Heating element cover gasket | 1 |
| 3 | Float sensor | 1 |
| 4 | Metal bracket | 1 |
| 5 | Tapping screws | 4 |
| 6 | Warning label | 1 |
| 7 | Auto shutoff valve with wire | 1 |
| 8 | Cable tie | 2 |

Table 1

3 Installation



Hazardous voltage!

Before performing any work on the water heater make sure the electrical supply to the water heater is disconnected. Failure to do this may result in DEATH, SERIOUS BODILY INJURY OR PROPERTY DAMAGE.

1. Disconnect power from water heater at the breaker so the water heater is isolated from the power supply.
2. Drain unit if required.
3. Mount float sensor in metal bracket and tighten the screw.

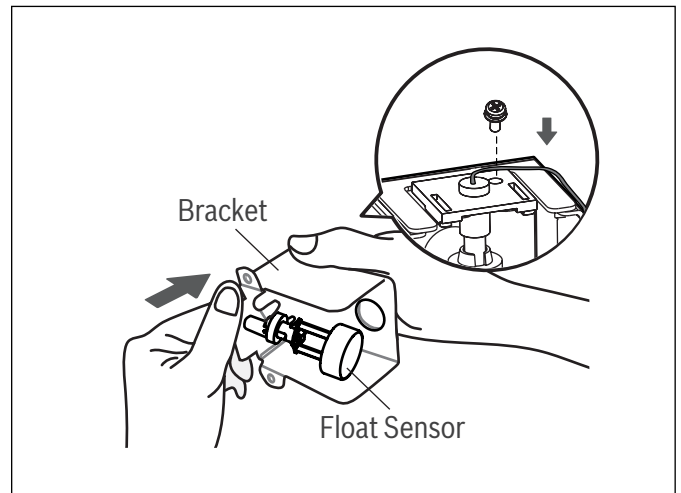


Figure 2

4. Remove lower heating element cover.

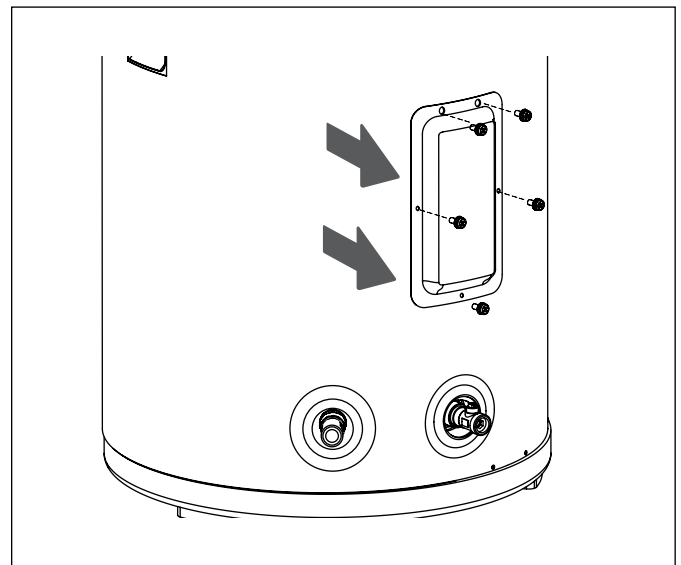


Figure 3

- Locate the jumper, remove the jumper, and connect the float sensor to the connection.

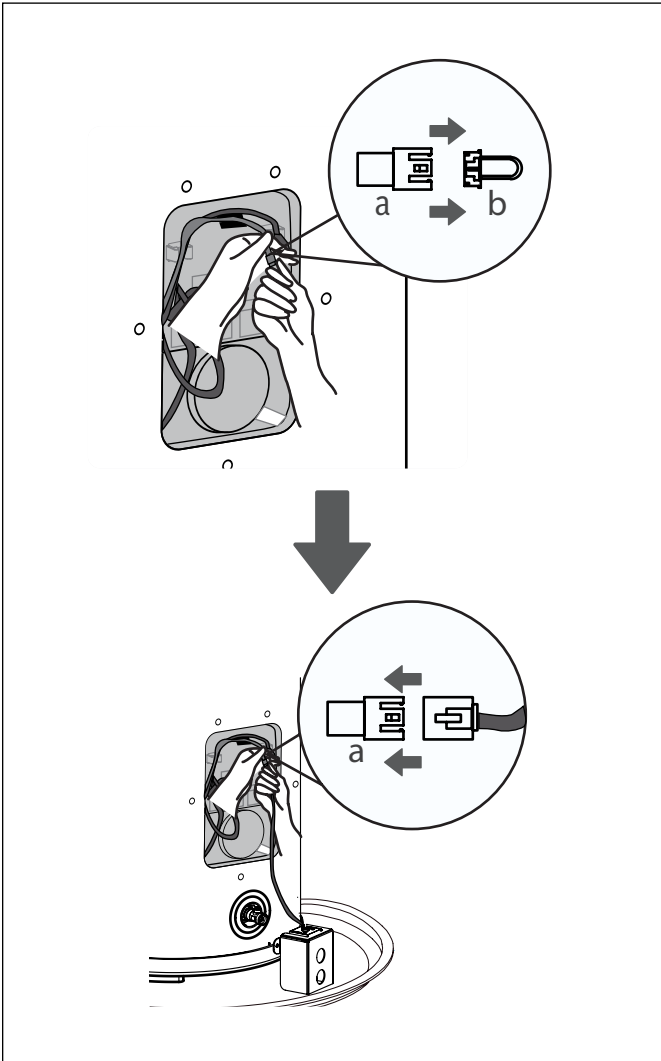


Figure 4

- Place float sensor in drain pan and secure to the unit at the designated location.

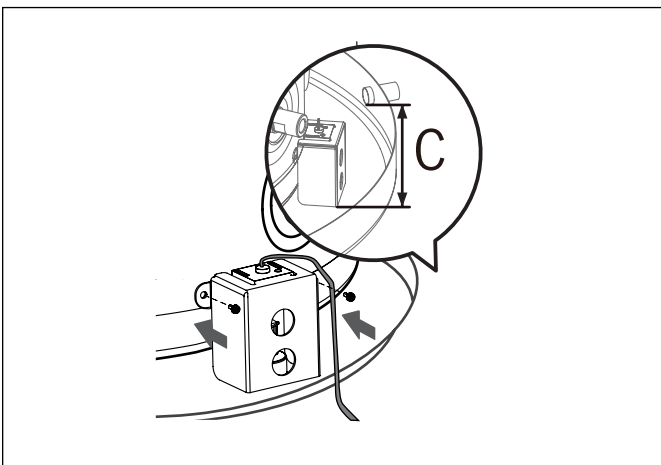


Figure 5

- Mount the auto shutoff valve on the water inlet connection of the unit.

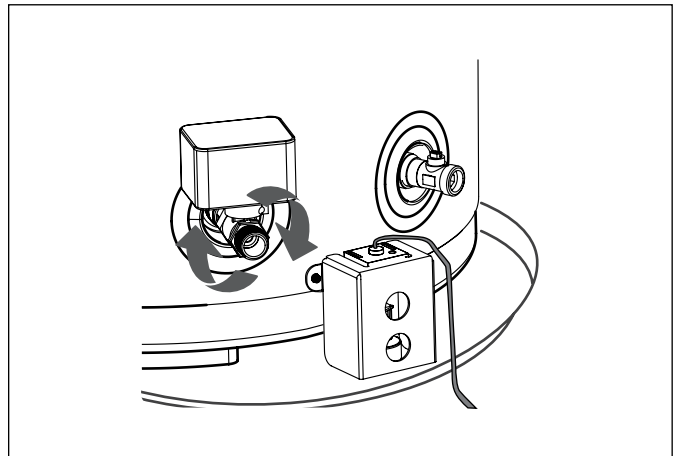


Figure 6

- Connect the supplied cable from the auto shutoff valve to the connector at lower heating element.

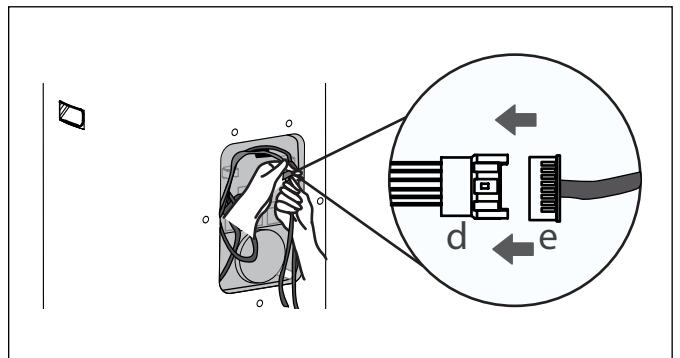


Figure 7

- Route cables as shown below.

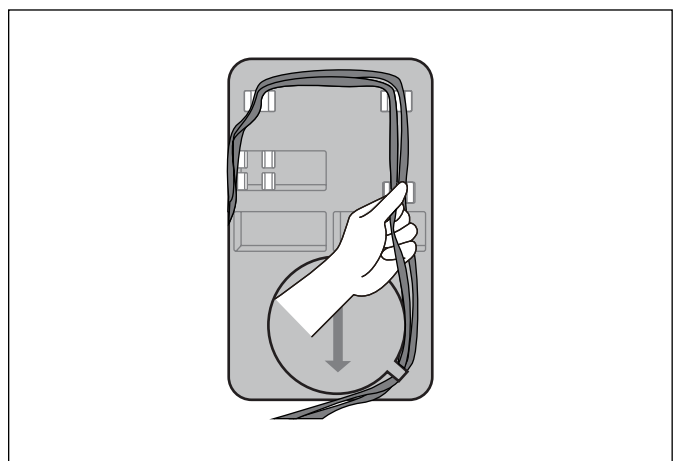


Figure 8

10. Install gasket on supplied heating element cover (wiring channel at the bottom) and apply warning label.

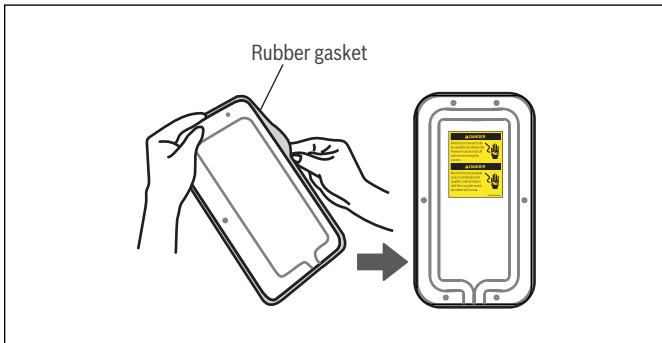


Figure 9

11. Install heating element cover. Ensure wiring is exiting through the channel on the bottom.

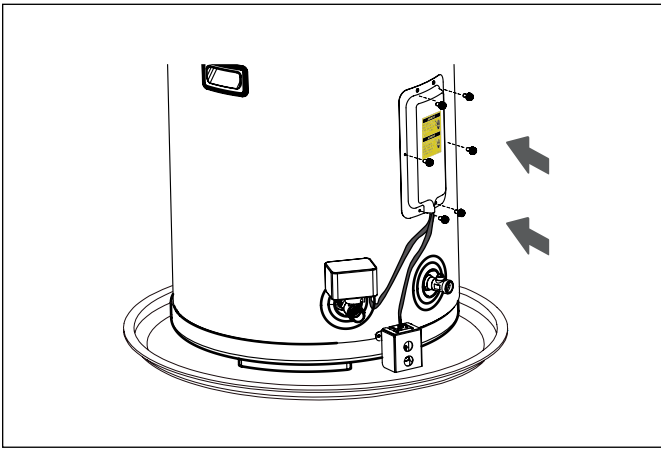


Figure 10

12. Secure wires outside with the supplied cable tie.

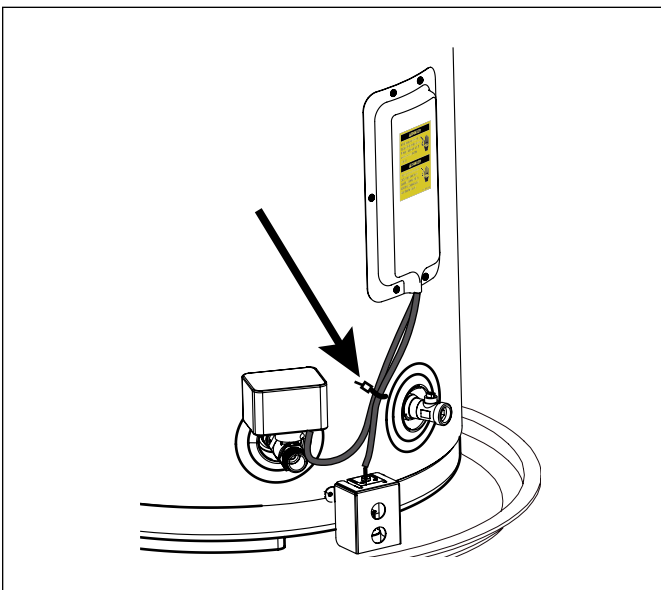


Figure 11

NOTICE

Product damage!

Before energizing the water heater, make certain that the water heater is completely full of water and that the cold water inlet valve is open. If the heating elements are not completely immersed in water at all times, they will be damaged if energized for even a short time.

13. Turn on unit and enter advanced settings by pressing the settings icon for 3 seconds. Go to setting F38 and change value to 1 to turn on leak protection function. Refer to the product manual for further details.

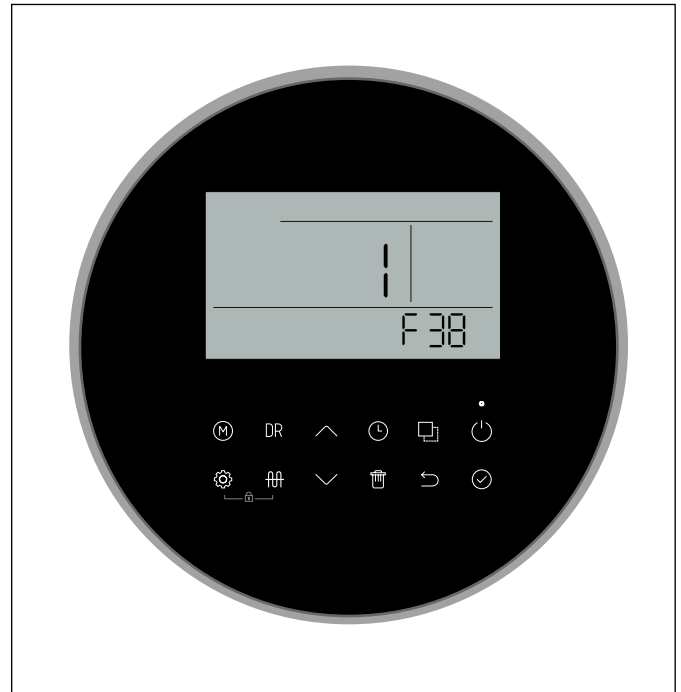


Figure 12