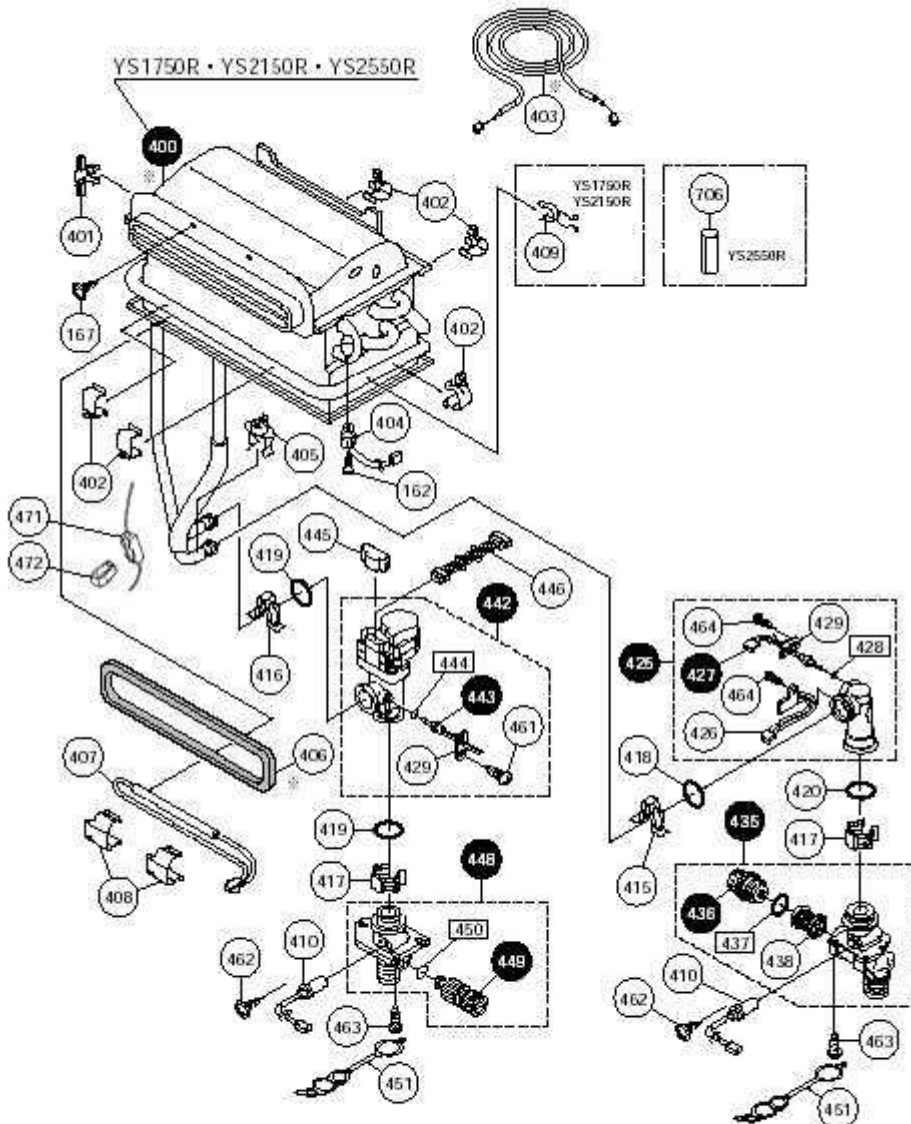




Water Connected Parts



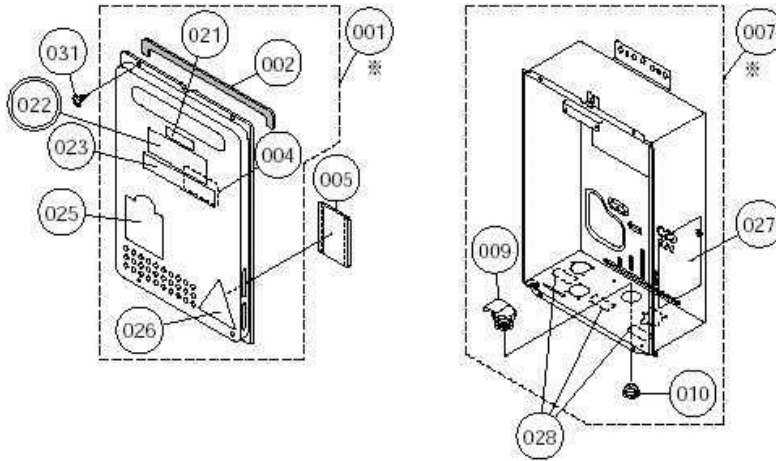
※mark parts depend on the model number
 <The parts of Outline Type Font number follow the contents of remarks>

Position	Part Number	Description	Comments
400	SBC7693	Heat Exchanger (S) 25E(C)	
401	YS0Q8540101	Thermal Fuse Fastener CZL	
402	YS0Q8540209	Thermal Fuse Fastener DTJ	
403	SBC7703	Thermal Fuse (S) DTJ 25E(C)	
404	YS0Q8540405	High-limit Switch (120)	
405	YS0Q8540503	Low-limit Switch	

406	YS0P85406109	Front Top Packing CZR 25E(C)	
407	YS1P510031	Anti-frost Heater (A)	
408	EHKH001	Heater Fastenr CRP	
410	YS0Q8541000	Anti-frost Heater (3)	
415	SAD6537	Quick Fastener (13-22)	
416	SAD6593	Quick Fastener (16-25)	
417	6340300	Quick Fastenr (16A)	
418	YS0Q8541804	O-ring (P12.5)	
419	3223302	O-ring (P16C)	
420	YS0Q8542007	O-ring (P16)	
425	DDMD001	WATER FLOW RATE SENSOR (S)	
426	YS0Q8542605	Magnetic Sensor	
427	YS0Q8542703	INLET-WATER THERMISTOR	
428	YS0Q8542801	O-ring (P4)	
429	YS0Q8542909	Thermistor Fixing Plate	
435	DTJD003	WATER INLET (S) (20A)	
436	DTJD006	WATER FILTER LID	
437	BRQL008	O-ring (16DF)	
438	DTJD005	Water Filter	
442	EBAD007	WATER VOLUME SERVO (S)	
443	BWCD096	OUTLET-WATER THERMISTOR	
444	YS0Q8544403	O-ring (P4C)	
445	C2LD041	Drip-proof Cover CZL	
446	DTJJ006	Harness 86	
448	YS0P8544806	WATER OUTLET (S) (20A)	
449	SAA2811	RELIEF VALVE (S)	
450	SAD6635	O-ring (P9)	
451	DTJD032	Drain Plug Band (20A)	
461	SAC6300NR	Screw 4x14	
462	SAA6721NR	Screw 4x6	
463	SAD6453NR	Screw (with flange) 4x6	
464	SAA6171NR	Screw 4x14	
471	YS1P510040	Anti-frost Heater (B)	
472	ATBL002	Anti-frost Heater Fixing Spring (1)	



External Parts



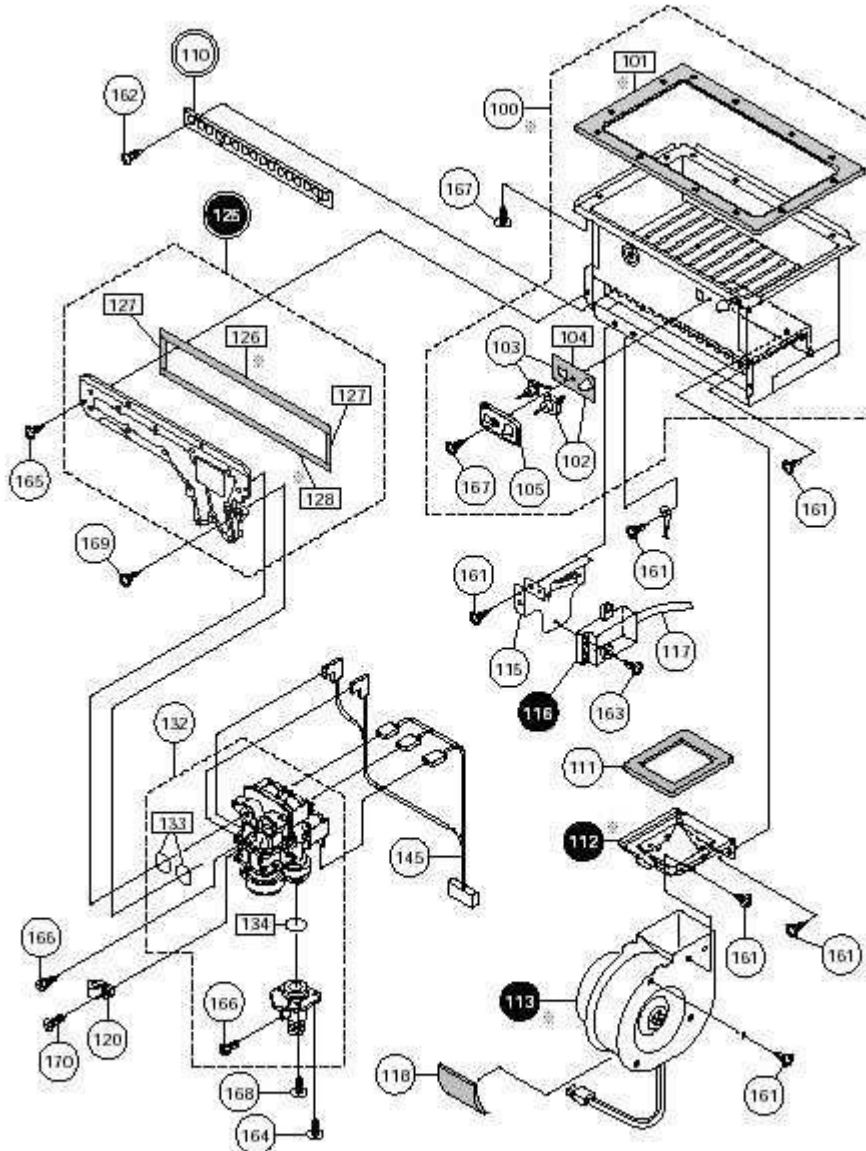
※mark parts depend on the model number
⊙mark parts depend on gas type.

Position	Part Number	Description	Comments
1	YS1R8500108	FRONT COVER (S) 25E	
1	YS1R8500402	FRONT COVER (S) 25EC	
2	YS0Q8500209	Front Packing	
4	DKEK001	Plug Insulating Sheet 21E/25s	
5	YS1P1800106	Wiring Diagram (S)	
7	YS1P8500208	REAR CASE (S)	
9	C2LA010	Wiring Connection	
10	CXPA026	Cap	
21	EGHK009	High Temp Warning Label	
22	S7O1B05200	Gas Label LPG	
22	S7O1B05102	Gas Label NG	
23	YS1R180032	Front Cover Label 25E	
23	YS1R180041	Front Cover Label 25EC	
25	YS1R180023	Energy Label 25E	
26	YS1P180123	50degree Label	Not required for 25EC
27	YS1P1801103	Caution Label	
28	S8A140528	Gas/Inlet/Outlet Label	
31	SAB6510NR	Front Cover Screw 4x12	



BOSCH
Invented for life

Combustion & Gas Parts



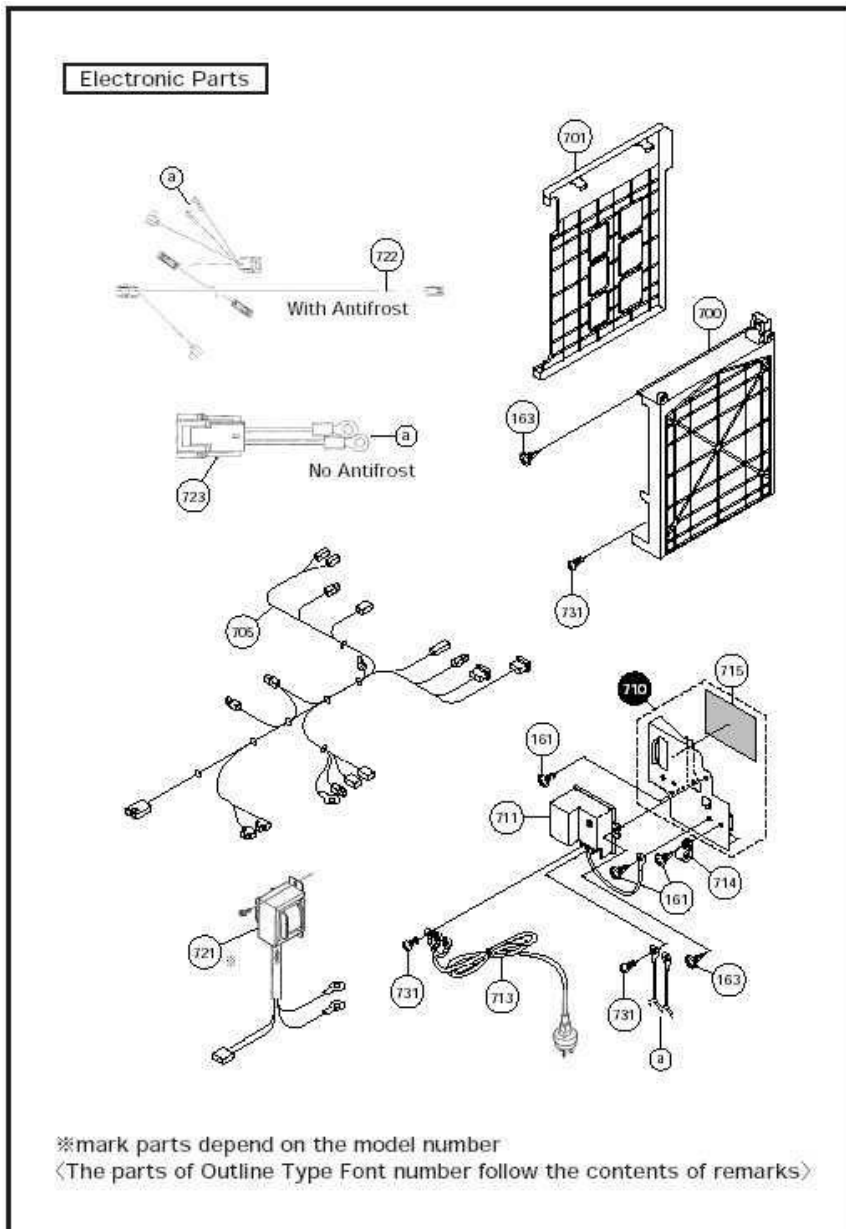
※mark parts depend on the model number

◎mark parts depend on gas type.

〈The parts of Outline Type Font number follow the contents of remarks〉

Position	Part Number	Description	Comments
100	YS0S85100108	Combustion Chamber (S) DTJ 25EC	
101	YS0S85101105	Air-intake connection Packing DTJ 25E(C)	
102	SBC7684	Ignition Plug (S)	
103	SBC7685	Flame Rod (S)	
104	YS0Q8510400	Plug Packing	
105	YS0Q8510508	Plug Fixing Plate	

110	YS0S85110309	Main Damper (7) DTJ LPG 25E(C)	
110	YS0S85110201	Main Damper (11) DTJ 25E(C)	
112	YS0Q85112203	FAN FLANGE DTJ	
113	SBC7734	FAN (S) DTJ	
115	DTJA015	Ignitor Fixing Plate	
116	AGVJ007	IGNITOR	
117	YS0Q8511701	High-tension Code (L350)	
118	YS0Q8511809	Protection Packing DTJ 17/21/25	
120	7287909	Nylon Clamp	
125	YS1R8500206	BURNER MANIFOLD (S) 25E(C) NG	
125	YS0S85125407	BURNER MANIFOLD (S) 25E(C) LPG	
126	YS0S85126100	Manifold Seal Packing Upper DTJ 25E(C)	
127	YS0Q8512708	Manifold Seal Packing Side DTJ	
128	DTJL006	Manifold Seal Packing Lower DTJ 25E(C)	
132	YS1P8500806	GAS VALVE (S) 3/4	
133	YS0Q8513303	O-ring (P18)	
134	1648306	O-ring (P28)	
145	YS0Q8514506	Harness R10 DTJ	
161	SAD6181NR	Screw (with flange) 4x8	
162	6347606NR	Screw 4x8	
163	SAD6183NR	Screw (with flange) 4x12	
164	6313400NR	Screw (with PW) M4x12	
165	SAB6001NR	Screw 5x16	
166	SAC6082NR	Screw M4x8	
167	SAD6182NR	Screw (with flange) 4x10	
168	SAD6223NR	Screw M5x12	
169	SAD6467NR	Screw (with guide) M4x14	
170	SAD6476NR	Screw M4x8 S430	



Position	Part Number	Description	Comments
163	SAD6183NR	Screw (with flange) 4x12	
700	YS1P8500306	PRINTED CIRCUIT BOARD (S)	
701	YS0Q8570106	PCB Lid	
705	DXJJ001NR	Harness 1	
706	DTJL008	Heat-insulation Packing	
710	YS0Q8571005	EARTH LEAKAGE BREAKER FIXING (S)	
711	EGHJ031	Earth Leakage Breaker	
712	YS0Q8571201	Harness (M92-350)	
713	EJXJ017	Power Cable	
714	7224001	Nylon Clamp HP5N	
715	YS0Q8571505	Drip-proof Cover DTJ	
721	YS1P5100521	Transformer 230V (NZ ver)	
721	YS1P5100512	Transformer 240V (Aus ver)	
722	YS1P510086	Power Relay Harness (anti-frost)	
723	YS1P510095	Power Relay Harness (no anti- frost)	
731	SAC6564NR	Screw M3.5x6	