



WARNING:

- ▶ The instructions described below must be performed by qualified personnel.

Product Information

- ▶ For use with Greenstar Wall Boilers only.
- ▶ Provides 1”NPT boiler connections and 1.25”sweat system connections.
- ▶ Isolation valves enable the boiler to be isolated from the heating system for maintenance.
- ▶ Part number: 7738007138



Figure 1

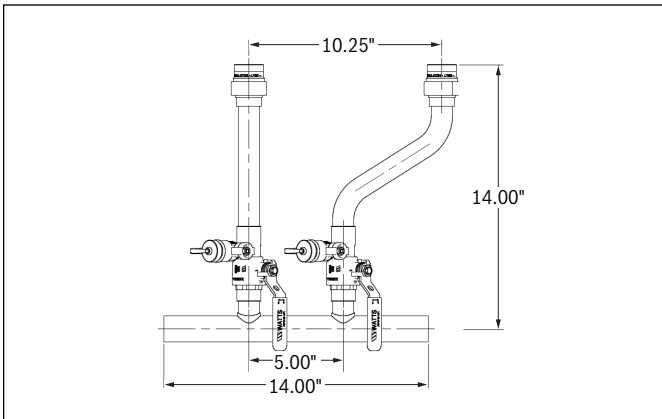


Figure 2

Installation Instructions

1. Mount the boiler to the wall following the instructions found in the boiler Installation Manual.
2. Remove the dielectric union on the manifold and secure them to the supply and return on the boiler.
3. For Combi units make sure to pre fit all DHW piping to verify it will fit properly around the manifold.
4. Mount the rest of the manifold to the boiler and connect rest of the piping. Ensure manifold and piping are properly supported.

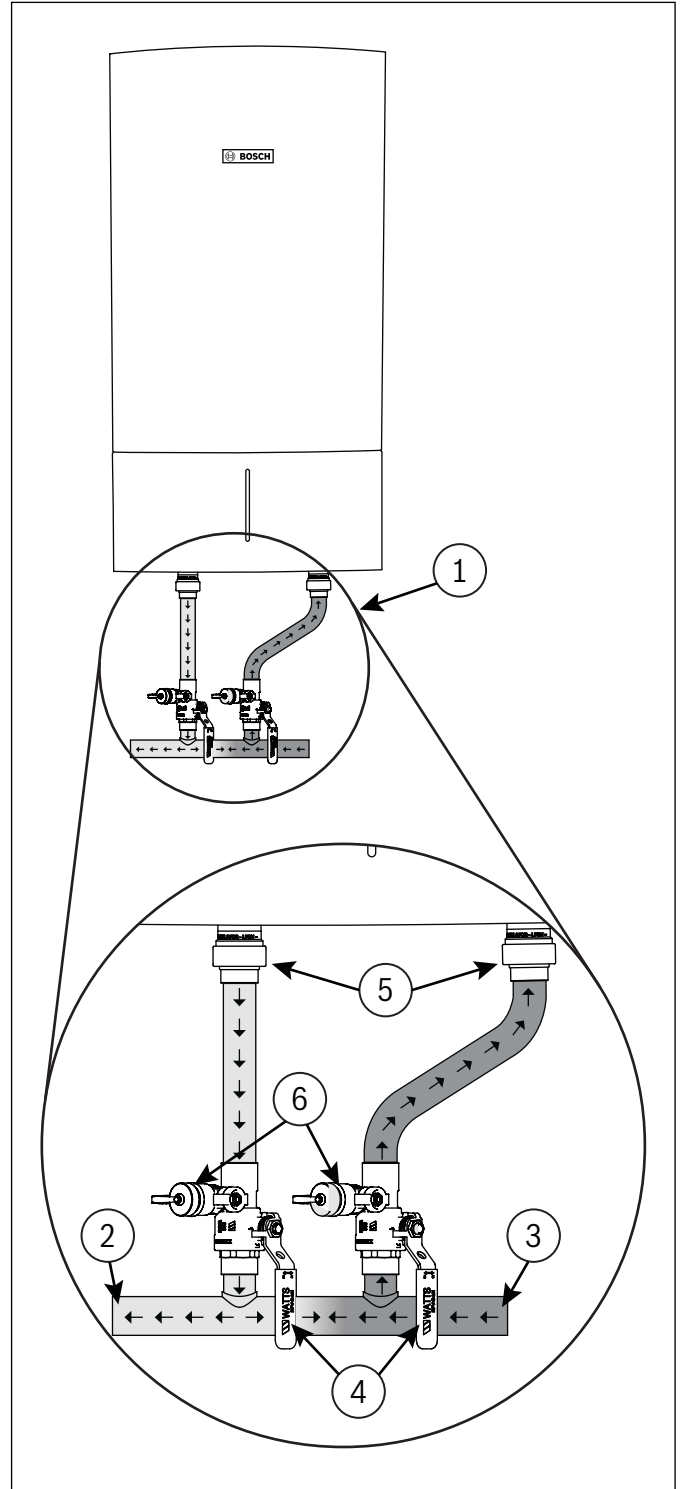


Figure 3

1. Manifold
2. Boiler/ system Supply side
3. Boiler/ system Return side
4. Isolation Valves
5. Dielectric Unions
6. Service Drain ports