

CA Model Series Commercial Water Source Heat Pumps

Engineering
Submittal
Sheet



BOSCH

Overview and Certifications



- ▶ ¾ to 1.5 Ton Capacities
- ▶ Single Stage Compressor with Slim Cabinet
- ▶ Rotary Compressors
- ▶ Option Rich Features and Components

Commercial WSHP Product Portfolio

Product	Water-to-Air							Water-to-Water			
	LM	LM Splits	ES	EP	QV	LV	CA	EC	MC	WT	WW
Price	\$\$\$	\$\$\$	\$\$\$-	\$\$	\$+	\$	\$	\$\$	\$\$	\$\$	\$\$
Model Sizes <6 Ton	007			X		X					
	009			X		X	X				
	012			X		X	X				
	015			X		X	X				
	018			X		X	X				
	024	X	X		X	X	X				
	025			X						X	
	030	X			X	X	X				
	035			X						X	
	036	X	X		X	X	X				
	041						X				
	042				X	X	X				
	048	X	X		X	X	X				
	049			X						X	
060	X	X		X	X	X				X	
061			X						X		
070	X			X		X					
071			X						X		
Model Sizes >6 Ton	072							X			
	096							X			
	120							X			X
	122										X
	150							X			
	151							X			
	180							X			X
	181							X			
	210							X			X
	240							X			X
	300							X			
	360							X	X		X
	420										X
	480								X		
600								X			
720								X			

Featured model

Bosch Thermotechnology Corp.
Londonderry, NH • Watertown, MA • Ft. Lauderdale, FL

CA Model Series - Commercial Water Source Heat Pumps



BOSCH

Model Nomenclature

CA 012 - 1 UL C - 48 0 P E R B - X G A M X X X 4 A X X 7 X X X S B A
 1-2 3-5 6 7 8-9 10 11 12 13 14 15 16 17 18 19 20 21 22 23 24 25 26 27 28 29 30 31 32 33 34 35 36 37 38 39 40

MODEL:
CA

NOMINAL CAPACITY:
009, 012,
015, 018

ELECTRICAL CONFIGURATION:
0 - 115/60/1
1 - 208-230/60/1
2 - 265/60/1

CABINET CONFIGURATION:
UL - Unit Mounted Controller,
Left Hand Water
UR - Unit Mounted Controller,
Right Hand Water
RL - Remote Thermostat,
Left Hand Water
RR - Remote Thermostat,
Right Hand Water

COAX OPTIONS:
C - Copper
N - Cupro-nickel

CABINET WIDTH:
48 - 48"
63 - 63"
XX - No Cabinet

SUPPLY AIR CONFIGURATION:
0 - N/A

FAN/MOTOR OPTION:
P - Standard PSC

AIR COIL:
E - Epoxy Coated

CABINET CONSTRUCTION:
R - Standard Cabinet and Sub-base (48")
S - No Cabinet, Standard Sub-base
T - No Cabinet or Sub-base (chassis only)

REVISION LEVEL:
C - Current (Sizes 012, 015, 018)
D - Current (Size 009)

ELECTRIC HEAT:
X - None

APPLICATION:
G - Extended Range w/ Shradar Valve (Geothermal)

CODE STRING LEVEL:
A - Revision

CHANNEL:
B - Bosch

STANDARD/SPECIAL:
S - Standard

NOT USED:
X - None

NOT USED:
X - None

DRIVE SPEED (MC ONLY):
X - N/A

MOTOR HP/QTY (BELT DRIVE ONLY)
X - N/A

AIR FILTRATION:
7 - Cleanable Mesh Filter

NOT USED:
X - None

ECONOMIZER:
X - None

WATER FLOW CONTROL OPTIONS:
X - None
F - 1/2" FPT fittings

CONTROLS:
X - Standard (UPM)
M - DDC - Multi-Protocol (BacNET, Modbus, N2)
L - DDC - LonWorks

TRANSFORMER:
4 - 40 VA
5 - 50 VA
7 - 75 VA

REFRIGERATION:
X - None
S - Straight Cool

ELECTRICAL OPTIONS:

- A - EMS relay
- B - Blower Monitor Relay
- C - Compressor Monitor Relay
- E - Pump/valve relay
- J - Disconnect Switch
- M - Wire to 208 volts
- O - Outside Air Damper
- X - As default for non used electrical codes

CA Model Series - Commercial Water Source Heat Pumps

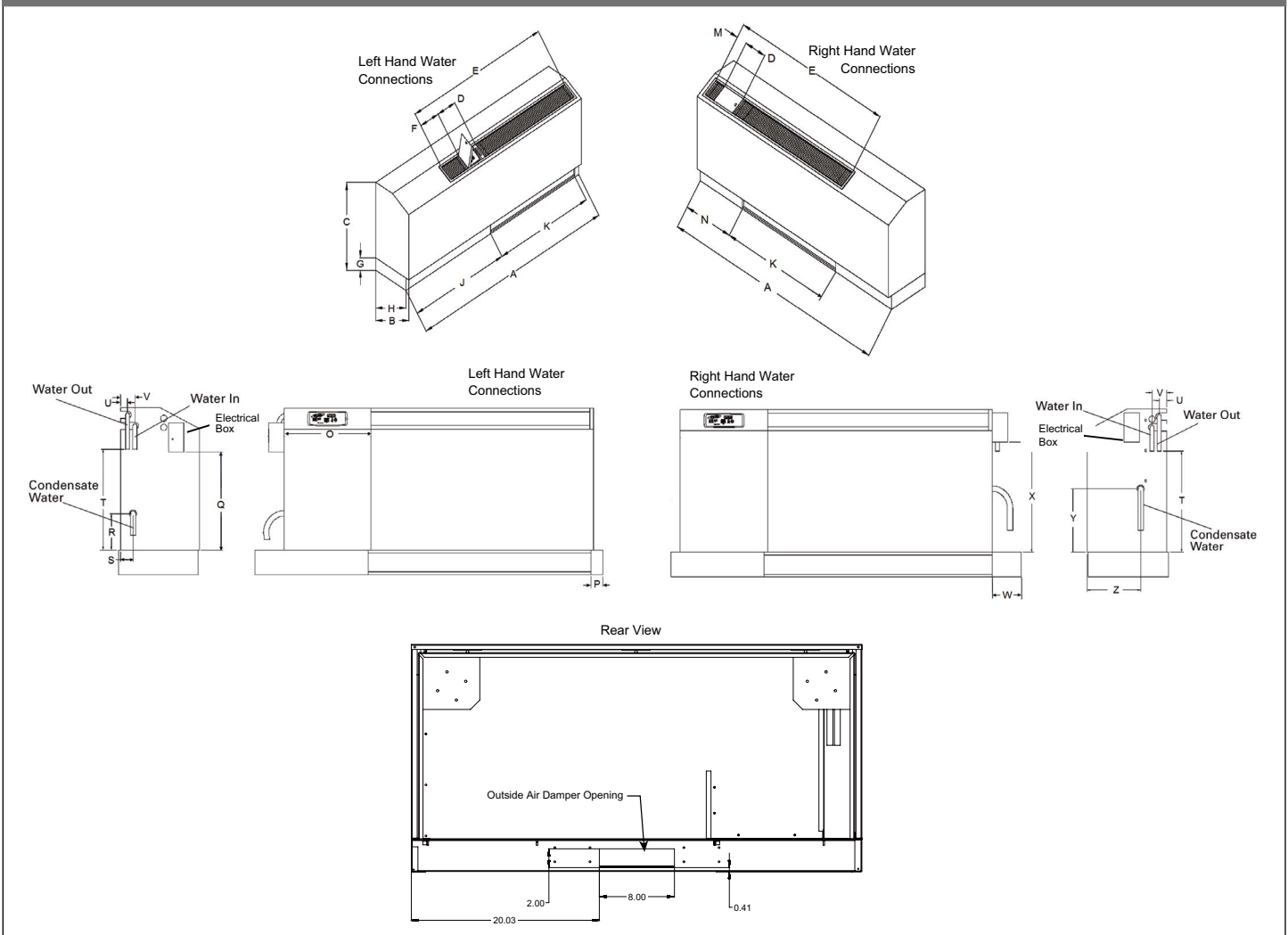


BOSCH

AHRI Ratings (13256-1) - CA Series PSC Motor

Model Number	Water Loop Heat Pump				Ground Water Heat Pump				Ground Loop Heat Pump				Rated Airflow (CFM)	Water Flow Rate (GPM)
	Cooling 86 deg.F		Heating 68 deg.F		Cooling 59 deg.F		Heating 50 deg.F		Cooling 77 deg.F		Heating 32 deg.F			
	Capacity BTU/h	EER BTU/W-h	Capacity BTU/h	COP	Capacity BTU/h	EER BTU/W-h	Capacity BTU/h	COP	Capacity BTU/h	EER BTU/W-h	Capacity BTU/h	COP		
009 115V Copper	8300	12.70	10600	4.55	9800	20.10	8500	3.90	8750	14.50	6700	3.25	295 Cool 315 Htg	2.0
009 265V Copper	8200	12.20	10600	4.70	9800	19.55	8700	3.95	8800	14.35	6900	3.25	300 Cool 330 Htg	2.0
009 208/230V Copper	8500	13.50	10550	5.10	10000	22.10	8600	4.25	9000	15.80	6600	3.40	300 Cool 330 Htg	2.0
009 208/230V, 265V CuNi	8100	12.40	10350	4.65	9750	19.60	8550	3.95	8800	14.35	6750	3.25	300 Cool 330 Htg	2.0
012	11700	12.73	12600	4.31	13700	19.85	11000	3.78	12200	14.97	8500	3.21	520	3.0
015	14000	12.30	17000	4.60	16400	20.20	14500	4.00	14600	14.40	11300	3.30	470 Cool 510 Htg	4.0
018	16400	12.20	21100	4.30	19500	18.00	17400	3.80	17200	14.10	13900	3.20	470 Cool 510 Htg	4.5

Console Unit Configurations, Dimensions, and Connections (Standard Length)



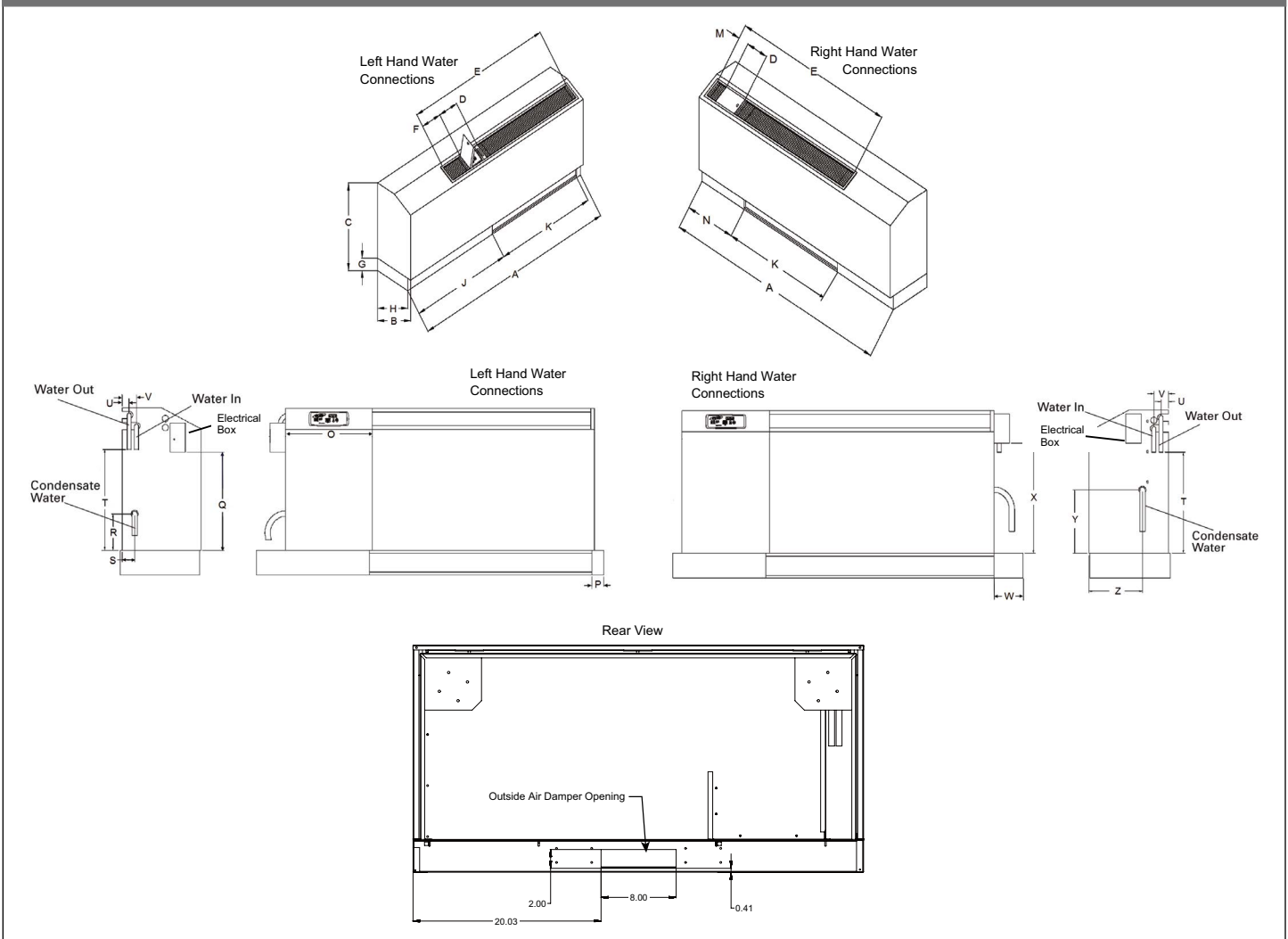
CA Unit Dimensions (Standard Length)

Model	A	B	C	D	E	F	G	H	J	K	M	N	O	P	Q	R	S	T	U	V	W	X	Y	Z	Condenser Water Connections	Permanent Washable Filter Size
	Width	Depth	Height	Control Door Width	Discharge Grille Width	Grille Edge to Door, Left Hand	Clearance to Unit Bottom	Sub-Base Depth	Cabinet End to Return Air, Left Hand	Return Air Width	Grille Edge to Door, Right Hand	Cabinet End to Return Air, Right Hand	Control Panel Width	Return Air to Chassis End, Left Hand	Electrical Box Height from Sub-base, Left Hand	Condensate Height from Sub-base, Left Hand	Condensate Depth from Rear, Left Hand	Water Connection Height from Sub-base	Water Out Depth from Rear	Water In Depth from Rear	Return Air to Chassis End, Right Hand	Electrical Box Height from Sub-base, Right Hand	Condensate Height from Sub-base, Right Hand	Condensate Depth from Front, Right Hand		
CA009	48.00	12.00	23.88	6.00	45.00	6.12	3.37	11.00	12.87	30.75	2.87	12.87	12.00	1.63	13.50	5.00	1.75	13.75	1.00	2.00	4.00	15.00	8.69	7.31	5/8" tube	30.12 x 7 x 0.37
CA012	48.00	12.00	23.88	6.00	45.00	6.12	3.37	11.00	12.87	30.75	2.87	12.87	12.00	1.63	13.50	5.00	1.75	13.75	1.00	2.00	4.00	15.00	8.69	7.31	5/8" tube	30.12 x 7 x 0.37
CA015	48.00	12.00	23.88	6.00	45.00	6.12	3.37	11.00	12.87	30.75	2.87	12.87	12.00	1.63	13.50	5.00	1.75	13.75	1.00	2.00	4.00	15.00	8.69	7.31	5/8" tube	30.12 x 7 x 0.37
CA018	48.00	12.00	23.88	6.00	45.00	6.12	3.37	11.00	12.87	30.75	2.87	12.87	12.00	1.63	13.50	5.00	1.75	13.75	1.00	2.00	4.00	15.00	8.69	7.31	5/8" tube	30.12 x 7 x 0.37

All dimensions in inches unless otherwise noted. All dimensions within +0.125". Specifications subject to change without notice.
Fresh Air Opening (In Sub-base Rear)

Caution! When installing unit in cold climates, an outside air damper must be provided to prevent possible condenser freeze-up.

Console Unit Configurations, Dimensions, and Connections (Extended Length)



CA Unit Dimensions (Extended Length)

Model	A	B	C	D	E	F	G	H	J	K	M	N	O	P	Q	R	S	T	U	V	W	X	Y	Z	Condenser Water Connections	Permanent Washable Filter Size
CA009	63.00	12.00	23.88	6.00	45.00	6.12	3.37	11.00	30.87	30.75	2.87	12.87	12.00	1.63	13.50	5.00	1.75	13.75	1.00	2.00	4.00	15.00	8.69	7.31	5/8" tube	30.12 x 7 x 0.37
CA012	63.00	12.00	23.88	6.00	45.00	6.12	3.37	11.00	30.87	30.75	2.87	12.87	12.00	1.63	13.50	5.00	1.75	13.75	1.00	2.00	4.00	15.00	8.69	7.31	5/8" tube	30.12 x 7 x 0.37
CA015	63.00	12.00	23.88	6.00	45.00	6.12	3.37	11.00	30.87	30.75	2.87	12.87	12.00	1.63	13.50	5.00	1.75	13.75	1.00	2.00	4.00	15.00	8.69	7.31	5/8" tube	30.12 x 7 x 0.37
CA018	63.00	12.00	23.88	6.00	45.00	6.12	3.37	11.00	30.87	30.75	2.87	12.87	12.00	1.63	13.50	5.00	1.75	13.75	1.00	2.00	4.00	15.00	8.69	7.31	5/8" tube	30.12 x 7 x 0.37

All dimensions in inches unless otherwise noted. All dimensions within +0.125". Specifications subject to change without notice.
Fresh Air Opening (In Sub-base Rear)

Caution! When installing unit in cold climates, an outside air damper must be provided to prevent possible condenser freeze-up.



Operating Limits – Heating and Cooling	
Heating	Extended Range
Minimum ambient air temperature °F	40
Maximum ambient air temperature °F	85
Minimum evaporator entering air db/wb °F	50
Rated air coil entering air db/wb °F	68
Maximum evaporator entering air db/wb °F	80
Normal water coil entering fluid range °F	25-80
Minimum water coil entering fluid °F	20*
Cooling	Extended Range
Minimum ambient air temperature °F	50
Maximum ambient air temperature °F	100
Minimum evaporator entering air db/wb °F	68/57
Rated air coil entering air db/wb °F	80/67
Maximum evaporator entering air db/wb °F	95/85
Minimum water coil entering fluid temperature °F	50
Water loop typical coil entering fluid range temperature °F	70/90
Maximum water coil entering fluid temperature °F	110

* Antifreeze solution is required at these fluid temperatures.

Antifreeze Correction							
Antifreeze Type	Antifreeze Volume %	Cooling			Heating		WPD Correction Factor EWT 30 °F
		EWT 90 Deg.F			EWT 30 Deg. F		
		Total Cap.	Sens. Cap	Power	Htg. Cap	Power	
Water	0	1.000	1.000	1.000	1.000	1.000	1.000
Propylene Glycol	5	0.997	0.997	1.004	0.989	0.997	1.060
	10	0.994	0.994	1.006	0.986	0.995	1.125
	15	0.990	0.990	1.009	0.978	0.988	1.190
	25	0.983	0.983	1.016	0.960	0.979	1.300
Methanol	5	0.997	0.997	1.003	0.990	0.997	1.060
	10	0.996	0.996	1.005	0.979	0.993	1.100
	15	0.994	0.994	1.008	0.970	0.990	1.140
Ethanol	5	0.998	0.998	1.002	0.981	0.994	1.160
	10	0.996	0.996	1.004	0.960	0.988	1.230
	15	0.992	0.992	1.006	0.944	0.983	1.280
	25	0.986	0.986	1.009	0.917	0.974	1.400
Ethylene Glycol	5	0.997	0.997	1.003	0.993	0.998	1.060
	10	0.995	0.995	1.004	0.986	0.996	1.120
	15	0.992	0.992	1.005	0.980	0.993	1.190
	25	0.988	0.988	1.009	0.970	0.990	1.330
	30	0.985	0.985	1.012	0.965	0.987	1.400

CA Model Series -
Commercial Water Source Heat Pumps



BOSCH

Waterside Pressure Drop			
Model	GPM	Pressure Drop (PSIG)	Pressure Drop (ft of H2O)
CA009	1.3	0.98	2.25
	1.5	1.26	2.91
	2.0	2.11	4.87
	2.5	3.16	7.29
	3.0	4.39	10.13
CA012	1.5	1.26	2.91
	2.0	2.11	4.87
	2.5	3.16	7.29
	3.0	4.39	10.1
	4.0	7.36	17.0
CA015	2.5	1.08	2.50
	3.0	1.50	3.47
	3.5	1.98	4.58
	4.0	2.52	5.82
	5.0	3.77	8.70
CA018	2.5	1.08	2.50
	3.0	1.50	3.47
	4.0	2.52	5.82
	5.0	3.77	8.70
	6.0	5.24	12.1

- All values based upon pure water at EWT 70°F

CA Model Series - Commercial Water Source Heat Pumps



Capacity Data CA009 (300 CFM CLG, 380 CFM HTG)															
Cooling									Heating						
Entering Water Temp (°F)	Water flow (GPM)	Pressure Drop (PSI)	Entering Air Temp DB/WB (°F)	Total Capacity (MBTUH)	Sensible Capacity (MBTUH)	Heat of Rejection (MBTUH)	Power (kW)	EER	Entering Fluid Temp (°F)	Pressure Drop (PSI)	Entering Air Temp (°F)	Total Capacity (MBTUH)	Heat of Absorption (MBTUH)	Power Input (kW)	COP
50	1	1.0	75/63	9.6	7.5	11.1	0.4	22.1	30	1.1	60	6.1	4.4	0.5	3.51
			80/67	10.2	8.0	11.8	0.4	23.6			70	5.9	4.2	0.5	3.15
			85/71	10.9	8.2	12.4	0.4	25.2			80	5.9	4.0	0.6	2.9
	1.5	2.0	75/63	9.9	7.9	11.4	0.4	25.2		60	6.4	4.8	0.5	3.64	
			80/67	10.6	8.1	12.0	0.4	27.3		70	6.3	4.5	0.6	3.34	
			85/71	11.3	8.3	12.7	0.4	29.6		80	6.2	4.3	0.6	3.04	
	2	3.3	75/63	10.1	7.7	11.5	0.4	27.1		60	6.6	4.9	0.5	3.77	
			80/67	10.8	8.2	12.2	0.4	29.6		70	6.4	4.7	0.6	3.38	
			85/71	11.5	8.4	12.9	0.4	32.3		80	6.4	4.5	0.6	3.11	
60	1	1.0	75/63	9.2	7.4	10.8	0.5	18.7	40	1.1	60	7.0	5.3	0.5	3.93
			80/67	9.8	7.8	11.4	0.5	19.9			70	6.9	5.1	0.6	3.57
			85/71	10.4	8.0	12.1	0.5	21.2			80	6.7	4.8	0.6	3.22
	1.5	2.0	75/63	9.5	7.5	11.0	0.5	21.0		60	7.4	5.7	0.5	4.1	
			80/67	10.1	7.9	11.7	0.4	22.6		70	7.4	5.6	0.6	3.76	
			85/71	10.8	8.1	12.4	0.4	24.3		80	7.0	5.1	0.6	3.32	
	2	3.3	75/63	9.6	7.6	11.1	0.4	22.3		60	7.7	6.2	0.5	4.24	
			80/67	10.3	8.0	11.8	0.4	24.2		70	7.6	5.9	0.6	3.86	
			85/71	11.0	8.2	12.5	0.4	26.2		80	7.4	5.4	0.6	3.43	
70	1	0.9	75/63	8.8	7.2	10.5	0.5	16.0	50	1.0	60	8.1	6.4	0.5	4.45
			80/67	9.3	7.6	11.1	0.5	17.0			70	7.9	6.1	0.6	3.97
			85/71	9.9	7.9	11.7	0.6	18.0			80	7.8	5.7	0.6	3.58
	1.5	2.0	75/63	9.0	7.3	10.7	0.5	17.7		60	8.6	7.0	0.5	4.65	
			80/67	9.6	7.7	11.3	0.5	18.9		70	8.4	6.5	0.6	4.13	
			85/71	10.3	8.0	12.0	0.5	20.3		80	8.2	6.2	0.6	3.72	
	2	3.3	75/63	9.2	7.4	10.8	0.5	18.6		60	8.9	7.5	0.5	4.74	
			80/67	9.8	7.8	11.4	0.5	20.1		70	8.7	6.8	0.6	4.23	
			85/71	10.4	8.0	12.1	0.5	21.6		80	8.5	6.2	0.7	3.8	
80	1	0.9	75/63	8.3	7.2	10.1	0.6	13.7	60	1.0	60	9.0	7.3	0.5	4.81
			80/67	8.9	7.5	10.7	0.6	14.5			70	8.8	7.0	0.6	4.29
			85/71	9.4	7.6	11.3	0.6	15.4			80	8.6	6.7	0.7	3.83
	1.5	2.0	75/63	8.6	7.3	10.3	0.6	15.0		60	9.8	8.3	0.6	5.14	
			80/67	9.2	7.5	10.9	0.6	16.0		70	9.4	7.4	0.6	4.51	
			85/71	9.7	7.8	11.6	0.6	17.0		80	9.2	7.4	0.7	4.04	
	2	3.3	75/63	8.7	7.2	10.4	0.6	15.6		60	10.0	8.2	0.6	5.22	
			80/67	9.3	7.6	11.1	0.6	16.8		70	9.8	8.3	0.6	4.65	
			85/71	9.9	7.9	11.7	0.6	18.0		80	9.7	7.4	0.7	4.18	
90	1	0.9	75/63	7.9	7.0	9.8	0.7	11.8	70	1.0	60	10.1	8.4	0.6	5.28
			80/67	8.4	7.3	10.4	0.7	12.5			70	10.1	8.2	0.6	4.74
			85/71	8.9	7.5	10.9	0.7	13.2			80	9.6	7.5	0.7	4.17
	1.5	1.9	75/63	8.1	7.1	10.0	0.6	12.8		60	10.8	9.2	0.6	5.53	
			80/67	8.6	7.4	10.6	0.6	13.6		70	10.7	8.8	0.6	4.96	
			85/71	9.2	7.6	11.2	0.6	14.5		80	10.3	8.1	0.7	4.36	
	2	3.2	75/63	8.2	7.1	10.0	0.6	13.2		60	11.3	9.5	0.6	5.78	
			80/67	8.8	7.4	10.7	0.6	14.1		70	11.0	9.4	0.6	5.06	
			85/71	9.4	7.6	11.3	0.6	15.1		80	11.0	8.7	0.7	4.6	
100	1	0.9	75/63	7.4	6.6	9.4	0.7	10.2	80	0.9	60	11.2	9.5	0.6	5.72
			80/67	7.9	7.1	10.0	0.7	10.8			70	11.0	8.9	0.6	5.06
			85/71	8.4	7.3	10.6	0.7	11.3			80	10.8	8.4	0.7	4.53
	1.5	1.9	75/63	7.6	6.9	9.6	0.7	10.9		60	12.0	10.2	0.6	6.1	
			80/67	8.1	7.2	10.2	0.7	11.6		70	11.7	9.9	0.6	5.35	
			85/71	8.7	7.4	10.8	0.7	12.3		80	11.6	9.3	0.7	4.82	
	2	3.2	75/63	7.7	7.0	9.7	0.7	11.2		60	12.5	10.8	0.6	6.29	
			80/67	8.2	7.2	10.2	0.7	12.0		70	12.4	10.6	0.6	5.63	
			85/71	8.8	7.5	10.9	0.7	12.8		80	12.2	9.8	0.7	5.02	
110	1	0.9	75/63	7.0	6.7	9.1	0.8	8.8	Extended Range - Anti-freeze required	1.0	60	11.2	9.5	0.6	5.72
			80/67	7.4	6.9	9.6	0.8	9.3			70	11.0	8.9	0.6	5.06
			85/71	7.9	7.2	10.2	0.8	9.8			80	10.8	8.4	0.7	4.53
	1.5	1.9	75/63	7.1	6.7	9.2	0.8	9.3		60	12.0	10.2	0.6	6.1	
			80/67	7.6	7.0	9.8	0.8	9.9		70	11.7	9.9	0.6	5.35	
			85/71	8.1	7.2	10.4	0.8	10.5		80	11.6	9.3	0.7	4.82	
	2	3.2	75/63	7.2	6.7	9.3	0.8	9.5		60	12.5	10.8	0.6	6.29	
			80/67	7.7	7.0	9.8	0.8	10.1		70	12.4	10.6	0.6	5.63	
			85/71	8.2	7.3	10.4	0.8	10.8		80	12.2	9.8	0.7	5.02	

Extended Range - Anti-freeze required
 AHRI/ISO13256-1 certified performance is rated at entering air conditions of 80.6°F DB and 66.2°F WB in cooling and 68°F DB in heating.
 Tabulated unit performance does not include fan or pump power corrections required for AHRI/ISO standard performance ratings.
 Unit performance may be interpolated. Extrapolation is not allowed.
 For conditions other than rating conditions provided, consult the BST selection software.
 Ratings below 40°F are with a methanol solution.

DISCLAIMER: The performance reported herein is based on testing by FHP. Variations in the installation and operational environment may alter performance. Bosch disclaims all warranties, express and implied, that the performance will be as reported, including the warranty of merchantability and fitness for purpose. In addition, continuous research and development may result in a change to an appliances design and specifications at the time of order, which Bosch may change without notice. Before purchase, confirm the design specifications of the appliance.

CA Model Series - Commercial Water Source Heat Pumps



Capacity Data CA012 (475 CFM)																
Cooling									Heating							
Entering Water Temp (°F)	Water flow (GPM)	Pressure Drop (PSI)	Entering Air Temp DB/WB (°F)	Total Capacity (MBTUH)	Sensible Capacity (MBTUH)	Heat of Rejection (MBTUH)	Power (kW)	EER	Entering Fluid Temp (°F)	Pressure Drop (PSI)	Entering Air Temp (°F)	Total Capacity (MBTUH)	Heat of Absorption (MBTUH)	Power Input (kW)	COP	
50	1.5	0.9	75/63	12.9	10.9	15.2	0.7	19.6	30	0.9	60	12.9	10.9	0.7	6.74	
			80/67	13.8	11.7	16.1	0.7	20.9			70	13.8	11.7	0.7	7.14	
			85/71	14.6	12.1	16.9	0.7	22.2			80	14.6	12.1	0.7	7.55	
	2.25	1.8	75/63	13.3	11.1	15.5	0.6	21.8		60	13.3	11.1	0.6	7.43		
			80/67	14.2	11.9	16.4	0.6	23.5		70	14.2	11.9	0.6	7.94		
			85/71	15.1	12.3	17.3	0.6	25.3		80	15.1	12.3	0.6	8.5		
	3	2.9	75/63	13.6	11.2	15.7	0.6	23.1		60	13.6	11.2	0.6	7.84		
			80/67	14.5	12.0	16.6	0.6	25.1		70	14.5	12.0	0.6	8.43		
			85/71	15.4	12.4	17.5	0.6	27.2		80	15.4	12.4	0.6	9.08		
60	1.5	0.9	75/63	12.9	10.9	15.2	0.7	19.6	40	0.9	60	12.9	10.9	0.7	6.74	
			80/67	13.8	11.7	16.1	0.7	20.9			70	13.8	11.7	0.7	7.14	
			85/71	14.6	12.1	16.9	0.7	22.2			80	14.6	12.1	0.7	7.55	
	2.25	1.8	75/63	13.3	11.1	15.5	0.6	21.8		60	13.3	11.1	0.6	7.43		
			80/67	14.2	11.9	16.4	0.6	23.5		70	14.2	11.9	0.6	7.94		
			85/71	15.1	12.3	17.3	0.6	25.3		80	15.1	12.3	0.6	8.5		
	3	2.9	75/63	13.6	11.2	15.7	0.6	23.1		60	13.6	11.2	0.6	7.84		
			80/67	14.5	12.0	16.6	0.6	25.1		70	14.5	12.0	0.6	8.43		
			85/71	15.4	12.4	17.5	0.6	27.2		80	15.4	12.4	0.6	9.08		
70	1.5	0.8	75/63	12.4	11.1	14.8	0.7	16.9	50	0.8	60	12.4	11.1	0.7	5.92	
			80/67	13.1	11.6	15.6	0.7	17.9			70	13.1	11.6	0.7	6.24	
			85/71	13.9	11.9	16.4	0.7	19.0			80	13.9	11.9	0.7	6.57	
	2.25	1.7	75/63	12.8	11.3	15.1	0.7	18.6		60	12.8	11.3	0.7	6.45		
			80/67	13.6	11.7	15.9	0.7	19.9		70	13.6	11.7	0.7	6.85		
			85/71	14.4	12.1	16.8	0.7	21.3		80	14.4	12.1	0.7	7.28		
	3	2.8	75/63	13.0	11.4	15.2	0.7	19.6		60	13.0	11.4	0.7	6.75		
			80/67	13.8	11.8	16.1	0.7	21.1		70	13.8	11.8	0.7	7.22		
			85/71	14.7	12.2	17.0	0.6	22.7		80	14.7	12.2	0.6	7.71		
80	1.5	0.8	75/63	12.4	11.1	14.8	0.7	16.9	60	0.8	60	12.4	11.1	0.7	5.92	
			80/67	13.1	11.6	15.6	0.7	17.9			70	13.1	11.6	0.7	6.24	
			85/71	13.9	11.9	16.4	0.7	19.0			80	13.9	11.9	0.7	6.57	
	2.25	1.7	75/63	12.8	11.3	15.1	0.7	18.6		60	12.8	11.3	0.7	6.45		
			80/67	13.6	11.7	15.9	0.7	19.9		70	13.6	11.7	0.7	6.85		
			85/71	14.4	12.1	16.8	0.7	21.3		80	14.4	12.1	0.7	7.28		
	3	2.8	75/63	13.0	11.4	15.2	0.7	19.6		60	13.0	11.4	0.7	6.75		
			80/67	13.8	11.8	16.1	0.7	21.1		70	13.8	11.8	0.7	7.22		
			85/71	14.7	12.2	17.0	0.6	22.7		80	14.7	12.2	0.6	7.71		
90	1.5	0.8	75/63	11.8	10.5	14.4	0.8	14.6	70	0.8	60	11.8	10.5	0.8	5.22	
			80/67	12.5	11.3	15.1	0.8	15.5			70	12.5	11.3	0.8	5.49	
			85/71	13.2	11.7	15.9	0.8	16.3			80	13.2	11.7	0.8	5.76	
	2.25	1.6	75/63	12.1	10.6	14.6	0.8	15.9		60	12.1	10.6	0.8	5.63		
			80/67	12.9	11.5	15.4	0.8	17.0		70	12.9	11.5	0.8	5.96		
			85/71	13.7	11.8	16.3	0.8	18.2		80	13.7	11.8	0.8	6.31		
	3	2.7	75/63	12.3	11.2	14.8	0.7	16.7		60	12.3	11.2	0.7	5.86		
			80/67	13.1	11.6	15.6	0.7	17.9		70	13.1	11.6	0.7	6.23		
			85/71	14.0	11.9	16.5	0.7	19.2		80	14.0	11.9	0.7	6.63		
100	1.5	0.8	75/63	11.8	10.5	14.4	0.8	14.6	80	0.8	60	11.8	10.5	0.8	5.22	
			80/67	12.5	11.3	15.1	0.8	15.5			70	12.5	11.3	0.8	5.49	
			85/71	13.2	11.7	15.9	0.8	16.3			80	13.2	11.7	0.8	5.76	
	2.25	1.6	75/63	12.1	10.6	14.6	0.8	15.9		60	12.1	10.6	0.8	5.63		
			80/67	12.9	11.5	15.4	0.8	17.0		70	12.9	11.5	0.8	5.96		
			85/71	13.7	11.8	16.3	0.8	18.2		80	13.7	11.8	0.8	6.31		
	3	2.7	75/63	12.3	11.2	14.8	0.7	16.7		60	12.3	11.2	0.7	5.86		
			80/67	13.1	11.6	15.6	0.7	17.9		70	13.1	11.6	0.7	6.23		
			85/71	14.0	11.9	16.5	0.7	19.2		80	14.0	11.9	0.7	6.63		
110	1.5	0.8	75/63	11.2	10.7	13.9	0.9	12.7	Extended Range - Anti-freeze required	0.8	60	11.8	10.5	0.8	5.22	
			80/67	11.8	11.1	14.7	0.9	13.4			70	12.5	11.3	0.8	5.49	
			85/71	12.6	11.4	15.5	0.9	14.1			80	13.2	11.7	0.8	5.76	
	2.25	1.6	75/63	11.5	10.3	14.1	0.8	13.7		60	12.1	10.6	0.8	5.63		
			80/67	12.2	11.2	14.9	0.8	14.6		70	12.9	11.5	0.8	5.96		
			85/71	13.0	11.6	15.8	0.8	15.5		80	13.7	11.8	0.8	6.31		
	3	2.6	75/63	11.7	10.4	14.3	0.8	14.3		60	12.3	11.2	0.7	5.86		
			80/67	12.4	11.3	15.1	0.8	15.2		70	13.1	11.6	0.7	6.23		
			85/71	13.2	11.7	15.9	0.8	16.3		80	14.0	11.9	0.7	6.63		

Extended Range - Anti-freeze required
 AHRI/ISO13256-1 certified performance is rated at entering air conditions of 80.6°F DB and 66.2°F WB in cooling and 68°F DB in heating.
 Tabulated unit performance does not include fan or pump power corrections required for AHRI/ISO standard performance ratings.
 Unit performance may be interpolated. Extrapolation is not allowed.
 For conditions other than rating conditions provided, consult the BST selection software.
 Ratings below 40°F are with a methanol solution.

DISCLAIMER: The performance reported herein is based on testing by FHP. Variations in the installation and operational environment may alter performance. Bosch disclaims all warranties, express and implied, that the performance will be as reported, including the warranty of merchantability and fitness for purpose. In addition, continuous research and development may result in a change to an appliances design and specifications at the time of order, which Bosch may change without notice. Before purchase, confirm the design specifications of the appliance.

CA Model Series - Commercial Water Source Heat Pumps



Capacity Data CA012 (520 CFM)																
Cooling									Heating							
Entering Water Temp (°F)	Water flow (GPM)	Pressure Drop (PSI)	Entering Air Temp DB/WB (°F)	Total Capacity (MBTUH)	Sensible Capacity (MBTUH)	Heat of Rejection (MBTUH)	Power (kW)	EER	Entering Fluid Temp (°F)	Pressure Drop (PSI)	Entering Air Temp (°F)	Total Capacity (MBTUH)	Heat of Absorption (MBTUH)	Power Input (kW)	COP	
50	1.5	0.9	75/63	13.1	12.0	15.4	0.7	19.8	30	0.9	60	8.7	6.1	0.8	3.14	
			80/67	13.9	12.4	16.2	0.7	21.1			70	8.6	5.8	0.9	2.9	
			85/71	14.7	12.8	17.0	0.7	22.4			80	8.4	5.4	0.9	2.68	
	2.25	1.8	75/63	13.5	12.2	15.7	0.6	22.1			60	9.1	6.6	0.8	3.27	
			80/67	14.4	12.6	16.5	0.6	23.8			70	8.9	6.2	0.9	3	
			85/71	15.2	13.0	17.4	0.6	25.6			80	8.8	5.7	0.9	2.77	
	3	2.9	75/63	13.7	12.3	15.8	0.6	23.5			60	9.4	6.8	0.8	3.34	
			80/67	14.6	12.7	16.7	0.6	25.5			70	9.2	6.4	0.9	3.05	
			85/71	15.5	13.1	17.6	0.6	27.6			80	9.0	5.9	0.9	2.82	
60	1.5	0.9	75/63	13.1	12.0	15.4	0.7	19.8	40	1.5	60	8.7	6.1	0.8	3.14	
			80/67	13.9	12.4	16.2	0.7	21.1			70	8.6	5.8	0.9	2.9	
			85/71	14.7	12.8	17.0	0.7	22.4			80	8.4	5.4	0.9	2.68	
	2.25	1.8	75/63	13.5	12.2	15.7	0.6	22.1			60	9.1	6.6	0.8	3.27	
			80/67	14.4	12.6	16.5	0.6	23.8			70	8.9	6.2	0.9	3	
			85/71	15.2	13.0	17.4	0.6	25.6			80	8.8	5.7	0.9	2.77	
	3	2.9	75/63	13.7	12.3	15.8	0.6	23.5			60	9.4	6.8	0.8	3.34	
			80/67	14.6	12.7	16.7	0.6	25.5			70	9.2	6.4	0.9	3.05	
			85/71	15.5	13.1	17.6	0.6	27.6			80	9.0	5.9	0.9	2.82	
70	1.5	0.8	75/63	12.5	11.7	14.9	0.7	17.1	50	1.5	60	10.0	7.4	0.8	3.52	
			80/67	13.2	12.2	15.7	0.7	18.1			70	9.8	7.0	0.9	3.22	
			85/71	14.1	12.6	16.6	0.7	19.2			80	9.6	6.5	1.0	2.96	
	2.25	1.7	75/63	12.9	11.9	15.2	0.7	18.8			60	10.6	7.9	0.8	3.67	
			80/67	13.7	12.4	16.0	0.7	20.1			70	10.3	7.4	0.9	3.34	
			85/71	14.5	12.8	16.9	0.7	21.6			80	10.1	7.0	1.0	3.05	
	3	2.8	75/63	13.1	12.0	15.4	0.7	19.9			60	10.9	8.2	0.8	3.76	
			80/67	13.9	12.5	16.2	0.7	21.4			70	10.6	7.7	0.9	3.41	
			85/71	14.8	12.9	17.1	0.6	23.0			80	10.3	7.2	1.0	3.1	
80	1.5	0.8	75/63	12.5	11.7	14.9	0.7	17.1	60	1.5	60	10.0	7.4	0.8	3.52	
			80/67	13.2	12.2	15.7	0.7	18.1			70	9.8	7.0	0.9	3.22	
			85/71	14.1	12.6	16.6	0.7	19.2			80	9.6	6.5	1.0	2.96	
	2.25	1.7	75/63	12.9	11.9	15.2	0.7	18.8			60	10.6	7.9	0.8	3.67	
			80/67	13.7	12.4	16.0	0.7	20.1			70	10.3	7.4	0.9	3.34	
			85/71	14.5	12.8	16.9	0.7	21.6			80	10.1	7.0	1.0	3.05	
	3	2.8	75/63	13.1	12.0	15.4	0.7	19.9			60	10.9	8.2	0.8	3.76	
			80/67	13.9	12.5	16.2	0.7	21.4			70	10.6	7.7	0.9	3.41	
			85/71	14.8	12.9	17.1	0.6	23.0			80	10.3	7.2	1.0	3.1	
90	1.5	0.8	75/63	11.9	11.5	14.5	0.8	14.8	70	1.5	60	11.4	8.7	0.9	3.91	
			80/67	12.6	12.0	15.3	0.8	15.6			70	11.2	8.2	0.9	3.56	
			85/71	13.4	12.3	16.1	0.8	16.5			80	10.9	7.8	1.0	3.24	
	2.25	1.6	75/63	12.2	11.7	14.7	0.8	16.1			60	12.1	9.3	0.9	4.09	
			80/67	13.0	12.1	15.6	0.8	17.2			70	11.8	8.8	0.9	3.7	
			85/71	13.9	12.5	16.4	0.8	18.3			80	11.5	8.3	1.0	3.35	
	3	2.7	75/63	12.5	11.7	14.9	0.7	16.9			60	12.5	9.7	0.9	4.19	
			80/67	13.2	12.2	15.7	0.7	18.1			70	12.2	9.1	0.9	3.79	
			85/71	14.1	12.6	16.6	0.7	19.4			80	11.8	8.6	1.0	3.42	
100	1.5	0.8	75/63	11.9	11.5	14.5	0.8	14.8	80	1.4	60	11.4	8.7	0.9	3.91	
			80/67	12.6	12.0	15.3	0.8	15.6			70	11.2	8.2	0.9	3.56	
			85/71	13.4	12.3	16.1	0.8	16.5			80	10.9	7.8	1.0	3.24	
	2.25	1.6	75/63	12.2	11.7	14.7	0.8	16.1			60	12.1	9.3	0.9	4.09	
			80/67	13.0	12.1	15.6	0.8	17.2			70	11.8	8.8	0.9	3.7	
			85/71	13.9	12.5	16.4	0.8	18.3			80	11.5	8.3	1.0	3.35	
	3	2.7	75/63	12.5	11.7	14.9	0.7	16.9			60	12.5	9.7	0.9	4.19	
			80/67	13.2	12.2	15.7	0.7	18.1			70	12.2	9.1	0.9	3.79	
			85/71	14.1	12.6	16.6	0.7	19.4			80	11.8	8.6	1.0	3.42	
110	1.5	0.8	75/63	11.3	11.3	14.0	0.9	12.8	Extended Range - Anti-freeze required	1.4	60	11.4	8.7	0.9	3.91	
			80/67	12.0	11.7	14.8	0.9	13.5			70	11.2	8.2	0.9	3.56	
			85/71	12.7	12.2	15.6	0.9	14.2			80	10.9	7.8	1.0	3.24	
	2.25	1.6	75/63	11.6	11.4	14.3	0.8	13.9			60	12.1	9.3	0.9	4.09	
			80/67	12.4	11.9	15.1	0.8	14.7			70	11.8	8.8	0.9	3.7	
			85/71	13.1	12.3	15.9	0.8	15.6			80	11.5	8.3	1.0	3.35	
	3	2.6	75/63	11.8	11.5	14.4	0.8	14.4			60	12.5	9.7	0.9	4.19	
			80/67	12.6	12.0	15.2	0.8	15.4			70	12.2	9.1	0.9	3.79	
			85/71	13.3	12.4	16.0	0.8	16.4			80	11.8	8.6	1.0	3.42	

Extended Range - Anti-freeze required
 AHRI/ISO13256-1 certified performance is rated at entering air conditions of 80.6°F DB and 66.2°F WB in cooling and 68°F DB in heating.
 Tabulated unit performance does not include fan or pump power corrections required for AHRI/ISO standard performance ratings.
 Unit performance may be interpolated. Extrapolation is not allowed.
 For conditions other than rating conditions provided, consult the BST selection software.
 Ratings below 40°F are with a methanol solution.

DISCLAIMER: The performance reported herein is based on testing by FHP. Variations in the installation and operational environment may alter performance. Bosch disclaims all warranties, express and implied, that the performance will be as reported, including the warranty of merchantability and fitness for purpose. In addition, continuous research and development may result in a change to an appliances design and specifications at the time of order, which Bosch may change without notice. Before purchase, confirm the design specifications of the appliance.

CA Model Series - Commercial Water Source Heat Pumps



Capacity Data CA015 (450 CFM)																
Cooling									Heating							
Entering Water Temp (°F)	Water flow (GPM)	Pressure Drop (PSI)	Entering Air Temp DB/WB (°F)	Total Capacity (MBTUH)	Sensible Capacity (MBTUH)	Heat of Rejection (MBTUH)	Power (kW)	EER	Entering Fluid Temp (°F)	Pressure Drop (PSI)	Entering Air Temp (°F)	Total Capacity (MBTUH)	Heat of Absorption (MBTUH)	Power Input (kW)	COP	
50	2	0.8	75/63	15.1	11.5	17.7	0.7	20.7	30	0.9	60	10.2	7.2	0.9	3.25	
			80/67	16.1	12.3	18.7	0.7	22.3			70	10.0	6.8	1.0	2.97	
			85/71	17.1	12.6	19.8	0.7	23.9			80	9.9	6.4	1.1	2.73	
	3	1.6	75/63	15.5	11.7	18.0	0.7	22.9		60	10.6	7.6	0.9	3.36		
			80/67	16.5	12.5	19.0	0.7	25.0		70	10.5	7.2	1.0	3.07		
			85/71	17.6	12.8	20.1	0.6	27.2		80	10.3	6.8	1.1	2.8		
	4	2.7	75/63	15.6	11.8	18.1	0.6	24.1		60	10.9	8.0	0.9	3.42		
			80/67	16.7	12.6	19.1	0.6	26.4		70	10.8	7.5	1.0	3.12		
			85/71	17.8	12.9	20.2	0.6	29.0		80	10.5	7.0	1.1	2.84		
60	2	0.8	75/63	15.1	11.5	17.7	0.7	20.7	40	0.9	60	10.2	7.2	0.9	3.25	
			80/67	16.1	12.3	18.7	0.7	22.3			70	10.0	6.8	1.0	2.97	
			85/71	17.1	12.6	19.8	0.7	23.9			80	9.9	6.4	1.1	2.73	
	3	1.6	75/63	15.5	11.7	18.0	0.7	22.9		60	10.6	7.6	0.9	3.36		
			80/67	16.5	12.5	19.0	0.7	25.0		70	10.5	7.2	1.0	3.07		
			85/71	17.6	12.8	20.1	0.6	27.2		80	10.3	6.8	1.1	2.8		
	4	2.7	75/63	15.6	11.8	18.1	0.6	24.1		60	10.9	8.0	0.9	3.42		
			80/67	16.7	12.6	19.1	0.6	26.4		70	10.8	7.5	1.0	3.12		
			85/71	17.8	12.9	20.2	0.6	29.0		80	10.5	7.0	1.1	2.84		
70	2	0.8	75/63	14.4	11.3	17.2	0.8	17.4	50	0.9	60	11.4	8.2	0.9	3.54	
			80/67	15.4	12.0	18.2	0.8	18.7			70	11.1	7.8	1.0	3.19	
			85/71	16.4	12.3	19.3	0.8	20.0			80	11.3	7.6	1.1	2.97	
	3	1.6	75/63	14.8	11.4	17.5	0.8	19.0		60	12.2	9.0	1.0	3.7		
			80/67	15.8	12.2	18.5	0.8	20.6		70	12.0	8.5	1.0	3.35		
			85/71	16.8	12.5	19.6	0.8	22.2		80	11.8	8.1	1.1	3.05		
	4	2.6	75/63	14.9	11.5	17.6	0.8	19.8		60	12.6	9.4	1.0	3.77		
			80/67	15.9	12.3	18.6	0.7	21.5		70	12.3	8.9	1.1	3.41		
			85/71	17.0	12.6	19.7	0.7	23.4		80	12.1	8.3	1.1	3.1		
80	2	0.8	75/63	14.4	11.3	17.2	0.8	17.4	60	0.9	60	11.4	8.2	0.9	3.54	
			80/67	15.4	12.0	18.2	0.8	18.7			70	11.1	7.8	1.0	3.19	
			85/71	16.4	12.3	19.3	0.8	20.0			80	11.3	7.6	1.1	2.97	
	3	1.6	75/63	14.8	11.4	17.5	0.8	19.0		60	12.2	9.0	1.0	3.7		
			80/67	15.8	12.2	18.5	0.8	20.6		70	12.0	8.5	1.0	3.35		
			85/71	16.8	12.5	19.6	0.8	22.2		80	11.8	8.1	1.1	3.05		
	4	2.6	75/63	14.9	11.5	17.6	0.8	19.8		60	12.6	9.4	1.0	3.77		
			80/67	15.9	12.3	18.6	0.7	21.5		70	12.3	8.9	1.1	3.41		
			85/71	17.0	12.6	19.7	0.7	23.4		80	12.1	8.3	1.1	3.1		
90	2	0.7	75/63	13.7	11.0	16.8	0.9	14.8	70	0.8	60	12.9	10.0	1.0	3.85	
			80/67	14.6	11.7	17.7	0.9	15.8			70	12.7	9.3	1.1	3.49	
			85/71	15.6	12.1	18.7	0.9	16.8			80	12.8	9.0	1.2	3.23	
	3	1.5	75/63	14.0	11.1	17.0	0.9	15.9		60	13.6	10.4	1.0	3.99		
			80/67	15.0	11.9	18.0	0.9	17.1		70	13.7	10.1	1.1	3.7		
			85/71	16.0	12.2	19.0	0.9	18.5		80	13.4	9.5	1.2	3.34		
	4	2.6	75/63	14.1	11.4	17.0	0.9	15.9		60	14.2	11.1	1.0	4.13		
			80/67	15.1	12.0	18.1	0.9	17.8		70	14.0	10.4	1.1	3.76		
			85/71	16.2	12.2	19.1	0.8	19.2		80	13.8	9.9	1.2	3.41		
100	2	0.7	75/63	13.7	11.0	16.8	0.9	14.8	80	0.8	60	12.9	10.0	1.0	3.85	
			80/67	14.6	11.7	17.7	0.9	15.8			70	12.7	9.3	1.1	3.49	
			85/71	15.6	12.1	18.7	0.9	16.8			80	12.8	9.0	1.2	3.23	
	3	1.5	75/63	14.0	11.1	17.0	0.9	15.9		60	13.6	10.4	1.0	3.99		
			80/67	15.0	11.9	18.0	0.9	17.1		70	13.7	10.1	1.1	3.7		
			85/71	16.0	12.2	19.0	0.9	18.5		80	13.4	9.5	1.2	3.34		
	4	2.6	75/63	14.1	11.4	17.0	0.9	15.9		60	14.2	11.1	1.0	4.13		
			80/67	15.1	12.0	18.1	0.9	17.8		70	14.0	10.4	1.1	3.76		
			85/71	16.2	12.2	19.1	0.8	19.2		80	13.8	9.9	1.2	3.41		
110	2	0.7	75/63	13.0	10.7	16.3	1.0	12.6	Extended Range - Anti-freeze required	0.8	60	12.9	10.0	1.0	3.85	
			80/67	13.9	11.5	17.2	1.0	13.5			70	12.7	9.3	1.1	3.49	
			85/71	14.8	11.8	18.2	1.0	14.3			80	12.8	9.0	1.2	3.23	
	3	1.5	75/63	13.3	11.2	16.5	1.0	13.4		60	13.6	10.4	1.0	3.99		
			80/67	14.2	11.6	17.4	1.0	14.4		70	13.7	10.1	1.1	3.7		
			85/71	15.1	12.0	18.4	1.0	15.4		80	13.4	9.5	1.2	3.34		
	4	2.5	75/63	13.4	10.9	16.6	1.0	13.9		60	14.2	11.1	1.0	4.13		
			80/67	14.4	11.3	17.5	1.0	15.0		70	14.0	10.4	1.1	3.76		
			85/71	15.2	11.6	18.5	1.0	15.4		80	13.8	9.9	1.2	3.41		

Extended Range - Anti-freeze required
 AHRI/ISO13256-1 certified performance is rated at entering air conditions of 80.6°F DB and 66.2°F WB in cooling and 68°F DB in heating.
 Tabulated unit performance does not include fan or pump power corrections required for AHRI/ISO standard performance ratings.
 Unit performance may be interpolated. Extrapolation is not allowed.
 For conditions other than rating conditions provided, consult the BST selection software.
 Ratings below 40°F are with a methanol solution.

DISCLAIMER: The performance reported herein is based on testing by FHP. Variations in the installation and operational environment may alter performance. Bosch disclaims all warranties, express and implied, that the performance will be as reported, including the warranty of merchantability and fitness for purpose. In addition, continuous research and development may result in a change to an appliances design and specifications at the time of order, which Bosch may change without notice. Before purchase, confirm the design specifications of the appliance.

CA Model Series - Commercial Water Source Heat Pumps



Capacity Data CA015 (500 CFM)															
Cooling									Heating						
Entering Water Temp (°F)	Water flow (GPM)	Pressure Drop (PSI)	Entering Air Temp DB/WB (°F)	Total Capacity (MBTUH)	Sensible Capacity (MBTUH)	Heat of Rejection (MBTUH)	Power (kW)	EER	Entering Fluid Temp (°F)	Pressure Drop (PSI)	Entering Air Temp (°F)	Total Capacity (MBTUH)	Heat of Absorption (MBTUH)	Power Input (kW)	COP
50	2	0.8	75/63	15.3	12.2	17.9	0.7	21.1	30	0.9	60	15.3	12.2	0.9	21.06
			80/67	16.3	13.0	18.9	0.7	22.7			70	16.3	13.0	1.0	22.66
			85/71	17.3	13.4	20.0	0.7	24.3			80	17.3	13.4	1.1	24.34
	3	1.6	75/63	15.7	12.4	18.2	0.7	23.4		60	15.7	12.4	0.9	23.39	
			80/67	16.8	13.2	19.2	0.7	25.5		70	16.8	13.2	1.0	25.46	
			85/71	17.8	13.6	20.3	0.6	27.7		80	17.8	13.6	1.1	27.73	
	4	2.7	75/63	15.9	12.5	18.3	0.6	24.6		60	15.9	12.5	0.9	24.64	
			80/67	17.0	13.3	19.4	0.6	27.0		70	17.0	13.3	1.0	27.03	
			85/71	18.1	13.6	20.5	0.6	29.7		80	18.1	13.6	1.1	29.69	
60	2	0.8	75/63	15.3	12.2	17.9	0.7	21.1	40	0.9	60	15.3	12.2	0.9	21.06
			80/67	16.3	13.0	18.9	0.7	22.7			70	16.3	13.0	1.0	22.66
			85/71	17.3	13.4	20.0	0.7	24.3			80	17.3	13.4	1.1	24.34
	3	1.6	75/63	15.7	12.4	18.2	0.7	23.4		60	15.7	12.4	0.9	23.39	
			80/67	16.8	13.2	19.2	0.7	25.5		70	16.8	13.2	1.0	25.46	
			85/71	17.8	13.6	20.3	0.6	27.7		80	17.8	13.6	1.1	27.73	
	4	2.7	75/63	15.9	12.5	18.3	0.6	24.6		60	15.9	12.5	0.9	24.64	
			80/67	17.0	13.3	19.4	0.6	27.0		70	17.0	13.3	1.0	27.03	
			85/71	18.1	13.6	20.5	0.6	29.7		80	18.1	13.6	1.1	29.69	
70	2	0.8	75/63	14.6	12.0	17.5	0.8	17.7	50	0.9	60	14.6	12.0	0.9	17.73
			80/67	15.6	12.8	18.4	0.8	19.0			70	15.6	12.8	1.0	18.96
			85/71	16.6	13.1	19.5	0.8	20.3			80	16.6	13.1	1.1	20.28
	3	1.6	75/63	15.0	12.1	17.7	0.8	19.3		60	15.0	12.1	0.9	19.34	
			80/67	16.0	12.9	18.7	0.8	20.9		70	16.0	12.9	1.0	20.92	
			85/71	17.0	13.3	19.8	0.8	22.6		80	17.0	13.3	1.1	22.62	
	4	2.6	75/63	15.2	12.2	17.8	0.8	20.2		60	15.2	12.2	1.0	20.17	
			80/67	16.2	13.0	18.9	0.7	21.9		70	16.2	13.0	1.0	21.92	
			85/71	17.2	13.4	19.9	0.7	23.9		80	17.2	13.4	1.1	23.91	
80	2	0.8	75/63	14.6	12.0	17.5	0.8	17.7	60	0.9	60	14.6	12.0	0.9	17.73
			80/67	15.6	12.8	18.4	0.8	19.0			70	15.6	12.8	1.0	18.96
			85/71	16.6	13.1	19.5	0.8	20.3			80	16.6	13.1	1.1	20.28
	3	1.6	75/63	15.0	12.1	17.7	0.8	19.3		60	15.0	12.1	0.9	19.34	
			80/67	16.0	12.9	18.7	0.8	20.9		70	16.0	12.9	1.0	20.92	
			85/71	17.0	13.3	19.8	0.8	22.6		80	17.0	13.3	1.1	22.62	
	4	2.6	75/63	15.2	12.2	17.8	0.8	20.2		60	15.2	12.2	1.0	20.17	
			80/67	16.2	13.0	18.9	0.7	21.9		70	16.2	13.0	1.0	21.92	
			85/71	17.2	13.4	19.9	0.7	23.9		80	17.2	13.4	1.1	23.91	
90	2	0.7	75/63	13.9	11.7	17.0	0.9	15.0	70	0.8	60	13.9	11.7	1.0	15.03
			80/67	14.8	12.5	17.9	0.9	16.0			70	14.8	12.5	1.0	16.03
			85/71	15.8	12.8	18.9	0.9	17.1			80	15.8	12.8	1.1	17.09
	3	1.5	75/63	14.3	11.8	17.2	0.9	16.2		60	14.3	11.8	1.0	16.18	
			80/67	15.2	12.7	18.2	0.9	17.4		70	15.2	12.7	1.1	17.42	
			85/71	16.2	13.0	19.2	0.9	18.7		80	16.2	13.0	1.2	18.74	
	4	2.6	75/63	14.4	11.9	17.3	0.9	16.9		60	14.4	11.9	1.0	16.94	
			80/67	15.4	12.7	18.3	0.8	18.1		70	15.4	12.7	1.1	18.13	
			85/71	16.4	13.0	19.3	0.8	19.6		80	16.4	13.0	1.2	19.56	
100	2	0.7	75/63	13.9	11.7	17.0	0.9	15.0	80	0.8	60	13.9	11.7	1.0	15.03
			80/67	14.8	12.5	17.9	0.9	16.0			70	14.8	12.5	1.0	16.03
			85/71	15.8	12.8	18.9	0.9	17.1			80	15.8	12.8	1.1	17.09
	3	1.5	75/63	14.3	11.8	17.2	0.9	16.2		60	14.3	11.8	1.0	16.18	
			80/67	15.2	12.7	18.2	0.9	17.4		70	15.2	12.7	1.1	17.42	
			85/71	16.2	13.0	19.2	0.9	18.7		80	16.2	13.0	1.2	18.74	
	4	2.6	75/63	14.4	11.9	17.3	0.9	16.9		60	14.4	11.9	1.0	16.94	
			80/67	15.4	12.7	18.3	0.8	18.1		70	15.4	12.7	1.1	18.13	
			85/71	16.4	13.0	19.3	0.8	19.6		80	16.4	13.0	1.2	19.56	
110	2	0.7	75/63	13.2	11.4	16.5	1.0	12.8	Extended Range - Anti-freeze required	0.8	60	13.9	11.7	1.0	15.03
			80/67	14.1	12.2	17.4	1.0	13.7			70	14.8	12.5	1.0	16.03
			85/71	15.0	12.5	18.4	1.0	14.5			80	15.8	12.8	1.1	17.09
	3	1.5	75/63	13.5	11.9	16.7	1.0	13.6		60	14.3	11.8	1.0	16.18	
			80/67	14.4	12.3	17.7	1.0	14.6		70	15.2	12.7	1.1	17.42	
			85/71	15.4	12.7	18.7	1.0	15.7		80	16.2	13.0	1.2	18.74	
	4	2.5	75/63	13.6	11.6	16.8	1.0	14.1		60	14.4	11.9	1.0	16.94	
			80/67	14.6	12.1	17.7	1.0	15.3		70	15.4	12.7	1.1	18.13	
			85/71	15.5	12.9	18.8	1.0	16.3		80	16.4	13.0	1.2	19.56	

Extended Range - Anti-freeze required
 AHR/ISO 13256-1 certified performance is rated at entering air conditions of 80.6°F DB and 66.2°F WB in cooling and 68°F DB in heating.
 Tabulated unit performance does not include fan or pump power corrections required for AHR/ISO standard performance ratings.
 Unit performance may be interpolated. Extrapolation is not allowed.
 For conditions other than rating conditions provided, consult the BST selection software.
 Ratings below 40°F are with a methanol solution.

DISCLAIMER: The performance reported herein is based on testing by FHP. Variations in the installation and operational environment may alter performance. Bosch disclaims all warranties, express and implied, that the performance will be as reported, including the warranty of merchantability and fitness for purpose. In addition, continuous research and development may result in a change to an appliances design and specifications at the time of order, which Bosch may change without notice. Before purchase, confirm the design specifications of the appliance.

CA Model Series - Commercial Water Source Heat Pumps



Capacity Data CA018 (475 CFM)																
Cooling									Heating							
Entering Water Temp (°F)	Water flow (GPM)	Pressure Drop (PSI)	Entering Air Temp DB/WB (°F)	Total Capacity (MBTUH)	Sensible Capacity (MBTUH)	Heat of Rejection (MBTUH)	Power (kW)	EER	Entering Fluid Temp (°F)	Pressure Drop (PSI)	Entering Air Temp (°F)	Total Capacity (MBTUH)	Heat of Absorption (MBTUH)	Power Input (kW)	COP	
50	2	1.2	75/63	19.7	14.3	23.4	1.0	18.9	30	1.3	60	19.7	14.3	1.1	18.87	
			80/67	21.0	14.6	24.6	1.0	20.5			70	21.0	14.6	1.2	20.49	
			85/71	22.3	14.9	26.0	1.0	22.3			80	22.3	14.9	1.3	22.29	
	3	2.4	75/63	20.2	14.1	23.9	1.0	19.5		60	20.2	14.1	1.1	19.46		
			80/67	21.6	14.8	25.2	1.0	21.3		70	21.6	14.8	1.2	21.29		
			85/71	23.0	15.1	26.6	1.0	23.4		80	23.0	15.1	1.3	23.4		
	4	4.1	75/63	20.4	14.2	24.1	1.0	19.7		60	20.4	14.2	1.2	19.65		
			80/67	21.8	14.9	25.5	1.0	21.6		70	21.8	14.9	1.2	21.56		
			85/71	23.3	15.2	26.9	1.0	23.8		80	23.3	15.2	1.3	23.79		
60	2	1.2	75/63	19.7	14.3	23.4	1.0	18.9	40	1.3	60	19.7	14.3	1.1	18.87	
			80/67	21.0	14.6	24.6	1.0	20.5			70	21.0	14.6	1.2	20.49	
			85/71	22.3	14.9	26.0	1.0	22.3			80	22.3	14.9	1.3	22.29	
	3	2.4	75/63	20.2	14.1	23.9	1.0	19.5		60	20.2	14.1	1.1	19.46		
			80/67	21.6	14.8	25.2	1.0	21.3		70	21.6	14.8	1.2	21.29		
			85/71	23.0	15.1	26.6	1.0	23.4		80	23.0	15.1	1.3	23.4		
	4	4.1	75/63	20.4	14.2	24.1	1.0	19.7		60	20.4	14.2	1.2	19.65		
			80/67	21.8	14.9	25.5	1.0	21.6		70	21.8	14.9	1.2	21.56		
			85/71	23.3	15.2	26.9	1.0	23.8		80	23.3	15.2	1.3	23.79		
70	2	1.2	75/63	19.0	13.9	22.6	1.1	17.5	50	1.3	60	19.0	13.9	1.2	17.47	
			80/67	20.2	14.2	23.9	1.1	18.8			70	20.2	14.2	1.3	18.82	
			85/71	21.5	14.6	25.2	1.1	20.3			80	21.5	14.6	1.3	20.28	
	3	2.3	75/63	19.4	14.1	23.1	1.1	18.3		60	19.4	14.1	1.2	18.34		
			80/67	20.7	14.4	24.4	1.0	19.9		70	20.7	14.4	1.3	19.93		
			85/71	22.1	14.8	25.7	1.0	21.7		80	22.1	14.8	1.4	21.69		
	4	3.9	75/63	19.6	14.2	23.3	1.0	18.7		60	19.6	14.2	1.2	18.72		
			80/67	21.0	14.6	24.6	1.0	20.4		70	21.0	14.6	1.3	20.41		
			85/71	22.4	15.0	26.0	1.0	22.3		80	22.4	15.0	1.4	22.33		
80	2	1.2	75/63	19.0	13.9	22.6	1.1	17.5	60	1.3	60	19.0	13.9	1.2	17.47	
			80/67	20.2	14.2	23.9	1.1	18.8			70	20.2	14.2	1.3	18.82	
			85/71	21.5	14.6	25.2	1.1	20.3			80	21.5	14.6	1.3	20.28	
	3	2.3	75/63	19.4	14.1	23.1	1.1	18.3		60	19.4	14.1	1.2	18.34		
			80/67	20.7	14.4	24.4	1.0	19.9		70	20.7	14.4	1.3	19.93		
			85/71	22.1	14.8	25.7	1.0	21.7		80	22.1	14.8	1.4	21.69		
	4	3.9	75/63	19.6	14.2	23.3	1.0	18.7		60	19.6	14.2	1.2	18.72		
			80/67	21.0	14.6	24.6	1.0	20.4		70	21.0	14.6	1.3	20.41		
			85/71	22.4	15.0	26.0	1.0	22.3		80	22.4	15.0	1.4	22.33		
90	2	1.1	75/63	18.2	13.5	22.0	1.2	15.7	70	1.2	60	18.2	13.5	1.2	15.7	
			80/67	19.4	14.0	23.2	1.2	16.8			70	19.4	14.0	1.3	16.79	
			85/71	20.6	14.3	24.5	1.1	18.0			80	20.6	14.3	1.4	17.95	
	3	2.3	75/63	18.6	13.7	22.3	1.1	16.7		60	18.6	13.7	1.3	16.66		
			80/67	19.8	14.2	23.6	1.1	18.0		70	19.8	14.2	1.3	17.96		
			85/71	21.1	14.5	24.9	1.1	19.4		80	21.1	14.5	1.4	19.4		
	4	3.8	75/63	18.8	13.8	22.5	1.1	17.1		60	18.8	13.8	1.3	17.1		
			80/67	20.1	14.3	23.8	1.1	18.5		70	20.1	14.3	1.3	18.53		
			85/71	21.4	14.6	25.1	1.1	20.1		80	21.4	14.6	1.4	20.11		
100	2	1.1	75/63	18.2	13.5	22.0	1.2	15.7	80	1.2	60	18.2	13.5	1.2	15.7	
			80/67	19.4	14.0	23.2	1.2	16.8			70	19.4	14.0	1.3	16.79	
			85/71	20.6	14.3	24.5	1.1	18.0			80	20.6	14.3	1.4	17.95	
	3	2.3	75/63	18.6	13.7	22.3	1.1	16.7		60	18.6	13.7	1.3	16.66		
			80/67	19.8	14.2	23.6	1.1	18.0		70	19.8	14.2	1.3	17.96		
			85/71	21.1	14.5	24.9	1.1	19.4		80	21.1	14.5	1.4	19.4		
	4	3.8	75/63	18.8	13.8	22.5	1.1	17.1		60	18.8	13.8	1.3	17.1		
			80/67	20.1	14.3	23.8	1.1	18.5		70	20.1	14.3	1.3	18.53		
			85/71	21.4	14.6	25.1	1.1	20.1		80	21.4	14.6	1.4	20.11		
110	2	1.1	75/63	17.4	12.8	21.4	1.3	13.8	Extended Range - Anti-freeze required	1.2	60	17.4	12.8	1.3	13.8	
			80/67	18.5	13.6	22.6	1.3	14.7			70	18.5	13.6	1.3	14.7	
			85/71	19.7	13.9	23.8	1.3	15.6			80	19.7	13.9	1.3	15.6	
	3	2.2	75/63	17.8	13.3	21.7	1.2	14.7		60	17.8	13.3	1.3	14.7		
			80/67	18.9	13.8	22.9	1.2	15.8		70	18.9	13.8	1.3	15.8		
			85/71	20.2	14.1	24.2	1.2	16.9		80	20.2	14.1	1.3	16.9		
	4	3.7	75/63	17.9	13.4	21.8	1.2	15.1		60	17.9	13.4	1.3	15.1		
			80/67	19.2	13.9	23.1	1.2	16.3		70	19.2	13.9	1.3	16.3		
			85/71	20.4	14.3	24.4	1.2	17.6		80	20.4	14.3	1.4	17.6		

Extended Range - Anti-freeze required
 AHRI/ISO13256-1 certified performance is rated at entering air conditions of 80.6°F DB and 66.2°F WB in cooling and 68°F DB in heating.
 Tabulated unit performance does not include fan or pump power corrections required for AHRI/ISO standard performance ratings.
 Unit performance may be interpolated. Extrapolation is not allowed.
 For conditions other than rating conditions provided, consult the BST selection software.
 Ratings below 40°F are with a methanol solution.

DISCLAIMER: The performance reported herein is based on testing by FHP. Variations in the installation and operational environment may alter performance. Bosch disclaims all warranties, express and implied, that the performance will be as reported, including the warranty of merchantability and fitness for purpose. In addition, continuous research and development may result in a change to an appliances design and specifications at the time of order, which Bosch may change without notice. Before purchase, confirm the design specifications of the appliance.

CA Model Series - Commercial Water Source Heat Pumps



Capacity Data CA018 (520 CFM)																		
Cooling									Heating									
Entering Water Temp (°F)	Water flow (GPM)	Pressure Drop (PSI)	Entering Air Temp DB/WB (°F)	Total Capacity (MBTUH)	Sensible Capacity (MBTUH)	Heat of Rejection (MBTUH)	Power (kW)	EER	Entering Fluid Temp (°F)	Pressure Drop (PSI)	Entering Air Temp (°F)	Total Capacity (MBTUH)	Heat of Absorption (MBTUH)	Power Input (kW)	COP			
50	2	1.2	75/63	20.1	14.9	23.7	1.0	19.3	30	1.3	60	20.1	14.9	1.1	19.28			
			80/67	21.3	15.3	25.0	1.0	20.9			70	21.3	15.3	1.2	20.92			
			85/71	22.7	15.7	26.3	1.0	22.8			80	22.7	15.7	1.2	22.78			
	3	2.4	75/63	20.6	15.1	24.2	1.0	19.9			60	20.6	15.1	1.1	19.93			
			80/67	21.9	15.5	25.5	1.0	21.8			70	21.9	15.5	1.2	21.83			
			85/71	23.3	15.9	26.9	1.0	24.0			80	23.3	15.9	1.3	23.95			
	4	4.1	75/63	20.8	15.2	24.5	1.0	20.2			60	20.8	15.2	1.1	20.15			
			80/67	22.2	15.6	25.9	1.0	22.1			70	22.2	15.6	1.2	22.13			
			85/71	23.6	16.0	27.3	1.0	24.4			80	23.6	16.0	1.3	24.39			
	60	2	1.2	75/63	20.1	14.9	23.7	1.0			19.3	40	1.3	60	20.1	14.9	1.1	19.28
				80/67	21.3	15.3	25.0	1.0			20.9			70	21.3	15.3	1.2	20.92
				85/71	22.7	15.7	26.3	1.0			22.8			80	22.7	15.7	1.2	22.78
3		2.4	75/63	20.6	15.1	24.2	1.0	19.9	60	20.6	15.1			1.1	19.93			
			80/67	21.9	15.5	25.5	1.0	21.8	70	21.9	15.5			1.2	21.83			
			85/71	23.3	15.9	26.9	1.0	24.0	80	23.3	15.9			1.3	23.95			
4		4.1	75/63	20.8	15.2	24.5	1.0	20.2	60	20.8	15.2			1.1	20.15			
			80/67	22.2	15.6	25.9	1.0	22.1	70	22.2	15.6			1.2	22.13			
			85/71	23.6	16.0	27.3	1.0	24.4	80	23.6	16.0			1.3	24.39			
70		2	1.2	75/63	19.3	14.5	22.9	1.1	17.8	50	1.3			60	19.3	14.5	1.2	17.8
				80/67	20.5	15.0	24.2	1.1	19.2					70	20.5	15.0	1.2	19.16
				85/71	21.8	15.3	25.5	1.1	20.7					80	21.8	15.3	1.3	20.67
	3	2.3	75/63	19.8	14.7	23.4	1.1	18.7	60			19.8	14.7	1.2	18.74			
			80/67	21.0	15.2	24.7	1.0	20.3	70			21.0	15.2	1.3	20.34			
			85/71	22.4	15.6	26.0	1.0	22.2	80			22.4	15.6	1.3	22.16			
	4	3.9	75/63	20.0	14.8	23.6	1.0	19.1	60			20.0	14.8	1.2	19.14			
			80/67	21.3	15.3	24.9	1.0	20.9	70			21.3	15.3	1.3	20.87			
			85/71	22.7	15.7	26.3	1.0	22.9	80			22.7	15.7	1.4	22.85			
	80	2	1.2	75/63	19.3	14.5	22.9	1.1	17.8			60	1.3	60	19.3	14.5	1.2	17.8
				80/67	20.5	15.0	24.2	1.1	19.2					70	20.5	15.0	1.2	19.16
				85/71	21.8	15.3	25.5	1.1	20.7					80	21.8	15.3	1.3	20.67
3		2.3	75/63	19.8	14.7	23.4	1.1	18.7	60	19.8	14.7			1.2	18.74			
			80/67	21.0	15.2	24.7	1.0	20.3	70	21.0	15.2			1.3	20.34			
			85/71	22.4	15.6	26.0	1.0	22.2	80	22.4	15.6			1.3	22.16			
4		3.9	75/63	20.0	14.8	23.6	1.0	19.1	60	20.0	14.8			1.2	19.14			
			80/67	21.3	15.3	24.9	1.0	20.9	70	21.3	15.3			1.3	20.87			
			85/71	22.7	15.7	26.3	1.0	22.9	80	22.7	15.7			1.4	22.85			
90		2	1.1	75/63	18.5	13.8	22.3	1.2	16.0	70	1.2			60	18.5	13.8	1.2	15.96
				80/67	19.6	14.7	23.5	1.2	17.1					70	19.6	14.7	1.3	17.06
				85/71	20.9	14.9	24.8	1.1	18.3					80	20.9	14.9	1.4	18.25
	3	2.3	75/63	18.9	14.0	22.6	1.1	17.0	60			18.9	14.0	1.2	16.97			
			80/67	20.1	14.9	23.9	1.1	18.3	70			20.1	14.9	1.3	18.3			
			85/71	21.5	15.1	25.2	1.1	19.8	80			21.5	15.1	1.4	19.77			
	4	3.8	75/63	19.1	14.1	22.8	1.1	17.4	60			19.1	14.1	1.2	17.44			
			80/67	20.4	15.0	24.1	1.1	18.9	70			20.4	15.0	1.3	18.9			
			85/71	21.8	15.2	25.5	1.1	20.5	80			21.8	15.2	1.4	20.52			
	100	2	1.1	75/63	18.5	13.8	22.3	1.2	16.0			80	1.2	60	18.5	13.8	1.2	15.96
				80/67	19.6	14.7	23.5	1.2	17.1					70	19.6	14.7	1.3	17.06
				85/71	20.9	14.9	24.8	1.1	18.3					80	20.9	14.9	1.4	18.25
3		2.3	75/63	18.9	14.0	22.6	1.1	17.0	60	18.9	14.0			1.2	16.97			
			80/67	20.1	14.9	23.9	1.1	18.3	70	20.1	14.9			1.3	18.3			
			85/71	21.5	15.1	25.2	1.1	19.8	80	21.5	15.1			1.4	19.77			
4		3.8	75/63	19.1	14.1	22.8	1.1	17.4	60	19.1	14.1			1.2	17.44			
			80/67	20.4	15.0	24.1	1.1	18.9	70	20.4	15.0			1.3	18.9			
			85/71	21.8	15.2	25.5	1.1	20.5	80	21.8	15.2			1.4	20.52			
110		2	1.1	75/63	17.6	13.4	21.6	1.3	14.0	80	4.2			60	18.9	14.0	1.2	16.97
				80/67	18.7	14.3	22.8	1.3	14.9					70	20.1	14.9	1.3	18.3
				85/71	19.9	14.6	24.1	1.3	15.8					80	21.5	15.1	1.4	19.77
	3	2.2	75/63	18.0	13.6	21.9	1.2	15.0	60			19.1	14.1	1.2	17.44			
			80/67	19.2	14.5	23.2	1.2	16.0	70			20.4	15.0	1.3	18.9			
			85/71	20.5	14.8	24.5	1.2	17.2	80			21.8	15.2	1.4	20.52			
	4	3.7	75/63	18.2	14.1	22.1	1.2	15.4	60			19.1	14.1	1.2	17.44			
			80/67	19.4	14.2	23.3	1.2	16.6	70			20.4	15.0	1.3	18.9			
			85/71	20.8	14.8	24.7	1.2	17.9	80			21.8	15.2	1.4	20.52			

Extended Range - Anti-freeze required

AHR/ISO 13256-1 certified performance is rated at entering air conditions of 80.6°F DB and 66.2°F WB in cooling and 68°F DB in heating.

Tabulated unit performance does not include fan or pump power corrections required for AHR/ISO standard performance ratings.

Unit performance may be interpolated. Extrapolation is not allowed.

For conditions other than rating conditions provided, consult the BST selection software.

Ratings below 40°F are with a methanol solution.

DISCLAIMER: The performance reported herein is based on testing by FHP. Variations in the installation and operational environment may alter performance. Bosch disclaims all warranties, express and implied, that the performance will be as reported, including the warranty of merchantability and fitness for purpose. In addition, continuous research and development may result in a change to an appliances design and specifications at the time of order, which Bosch may change without notice. Before purchase, confirm the design specifications of the appliance.

CA Model Series - Commercial Water Source Heat Pumps



BOSCH

Electrical Data - PSC (Standard) Blower Motor

Model	Voltage Code	Rated Voltage	Voltage Min/Max	Compressor			Total Unit PSC Motor			Compressor Service		
				QTY	RLA	LRA	FLA	Min Circuit Amps	MOP	Cold Winding Resistance (Ω)		Run Capacitor (µF/V)
										Single Phase: S-C	Single Phase: R-C	
CA009	0	115/1/60	104/126	1	7.0	45.6	2.1	10.9	15	3.48	0.71	35/240
	1	208-230/1/60	197/253	1	3.4	22.2	0.9	5.2	15	7.35	2.95	15/370
	2	265-277/1/60	239/291	1	2.9	18.8	0.7	4.3	15	10.74	4.27	10/440
CA012	0	115/1/60	104/126	1	9.6	58.4	1.3	13.3	20	3.15	0.58	35/370
	1	208-230/1/60	197/253	1	4.6	27.9	0.8	6.6	15	5.90	2.30	20/370
	2	265-277/1/60	239/291	1	3.8	22.2	0.8	5.6	15	8.70	3.47	15/440
CA015	1	208-230/1/60	197/253	1	5.6	29.0	0.8	7.8	15	5.45	2.31	25/440
	2	265-277/1/60	239/291	1	4.6	20.0	0.8	6.6	15	7.39	3.58	15/440
CA018	1	208-230/1/60	197/253	1	7.4	33.0	0.8	10.1	15	3.05*	2.41*	35/370
	2	265-277/1/60	239/291	1	6.0	28.0	0.8	8.3	15	2.57*	3.26*	35/440

* These values are reported at 167°F (75°C), not room temperature.
All other resistance values must be measured with compressor at room temperature. Resistance value tolerance +/- 7%.

Blower Performance CFM (PSC Standard Motor Blower)

Models	Motor Speed	Factory setting	CFM @ 0.0 in.w.c.*	
			Cooling	Heating
CA009	High	X	300	330
	Low		295	315
CA012	High	X	520	520
	Low		475	475
CA015	High	X	470	510
	Low		445	485
CA018	High	X	470	510
	Low		445	485

*Ductless system; only rated at an external static pressure of 0.00 inches of water column

CA Model Series - Commercial Water Source Heat Pumps



BOSCH

Physical Data					
Size Tonnage	Units	CA009	CA012	CA015	CA018
Compressor Type (Qty 1)	–	Rotary	Rotary	Rotary	Rotary
Refrigeration Charge	oz	24oz (208/230V) 23oz (115V, 265V)	25	31	26
Max Water Working Pressure	PSIG/kPa	400/3100	400/3100	400/3100	400/3100
Number of Refrigeration Circuits	–	1	1	1	1
Evaporator Coil					
Coil Type	–	Tube-Fin	Tube-Fin	Tube-Fin	Tube-Fin
Air Coil Dimensions (H x L)	in	10x27	10x27	10x27	10x27
Row(s)	–	2	2	3	3
Motor & Blower					
Fan Motor Type/Speeds	–	PSC/2	PSC/2	PSC/2	PSC/2
Fan Motor	HP	1/10	1/4	1/4	1/4
Blower Wheel Size (Dia. x W)	in	5.5 x 8 (2)	5.5 x 8 (2)	5.5 x 8 (2)	5.5 x 8 (2)
Water Connection					
Type	–	Tube / FPT Option	Tube / FPT Option	Tube / FPT Option	Tube / FPT Option
Size	in	5/8 / 1/2	5/8 / 1/2	5/8 / 1/2	5/8 / 1/2
Water Coil Type	–	Coaxial	Coaxial	Coaxial	Coaxial
Coaxial Coil Water Volume (gal)	gal	0.08	0.11	0.11	0.11
Cabinet					
Standard Filter - 1/2" Washable Aluminum (H x L)	in	7 x 31-1/4 x 3/8	7 x 31-1/4 x 3/8	7 x 31-1/4 x 3/8	7 x 31-1/4 x 3/8
Weight - Operating (lbs)	lbs	131	138	144	144
Weight - Shipping (lbs)	lbs	151	158	164	164