

ADDENDUM FOR SV SERIES IOM MANUAL

(PART 8 733 823 604 Initial Release 8-18)

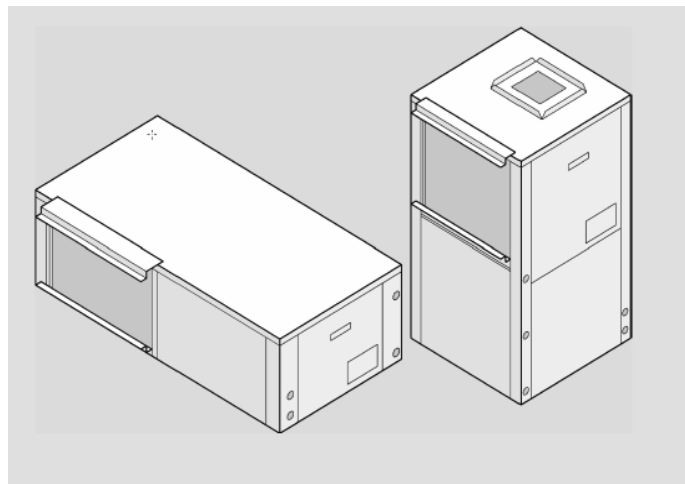


Figure 1 – VT and HZ SV Models

TABLE OF CONTENTS

About the Addendum..... 1
Internal 2-way Water Valve..... 1
Model Nomenclature..... 1
General Description..... 1
Certified Performance..... 2
Electrical Data Tables..... 4
Pressure Temp..... 6
Horizontal Cabinet Effects..... 9
Overload Setting Verification..... 10

ABOUT THE ADDENDUM

This addendum intention is to provide information on changes to the SV018, 024, 030, 036 & 048 models, highlighting only the difference from current SV018, 024, 030, 036 & 048 models; where applicable, with reference to the main SV IM (P/N 8733946175).

i	SV018, 024, 030, 036, 048 are no longer available with Bristol Compressors.
----------	---

INTERNAL 2-WAY WATER VALVE

The SV series internal water valve option features a 24VAC motorized water valve rated to 300 psig working pressure. This valve is wired to open on a thermostat call for compressor operation (heating or cooling) and will remain open as long as the thermostat calls. The valve can remain seated with up to 20 psi of back pressure on all sizes.

i	Internal 2-way Water Valve is rated for 300 psig of working pressure.
----------	---

MODEL NOMENCLATURE

Revision Level	←	1 3 6 7 8 10 11 12 13 14 15 16 17 1-2 3-5 6 7 8-9 10 11 12 13 14 15 16 17 SV 18 - 1 V T C - F L T P U D
A - Current		
C - Current		
D - Current		

GENERAL DESCRIPTION

The compressor on 018 models will change from a reciprocating compressor to a rotary compressor. This change will take place on (208/230V 1Ph) and (265 1Ph) and apply only to units under new “E” revision.

The compressor on 024 models will change from a reciprocating compressor to a scroll compressor. This change will take place on (208/230V 1Ph), (265 1Ph), (208/230V 3Ph) and (460V 3Ph) and apply only to units under “E” revision.

The compressor on 030 models will change from a reciprocating compressor to a scroll compressor. This change will take place on (208/230V 1Ph), (265 1Ph), (208/230V 3Ph) and (460V 3Ph) and apply only to units under “E” revision.

The compressor on 036 models will change from a reciprocating compressor to a scroll compressor. This change will take place on (208/230V 1Ph), (265 1Ph), (208/230V 3Ph) and (460V 3Ph) and apply only to units under “E” revision.

The compressor on 048 models will change from a reciprocating compressor to a scroll compressor. This change will take place on (208/230V 1Ph), (208/230V 3Ph), (460V 3Ph) and (575V 3Ph) and apply only to units under “E” revision.

This addendum provides updated production information for this SV model, capacities 018, 024, 030, 036, 048:

- Certified Performance
- Electrical Data Tables
- Pressure Temp Table

CERTIFIED PERFORMANCE

50PC Series AHRI Ratings													
Unit Characteristics						Water Loop Heat Pump				Ground Loop Heat Pump			
						Cooling 86° F		Heating 68° F		Cooling 77° F		Heating 32° F	
Series	Application	Motor Option	Water Coil	Model	Rev	Cooling Capacity	EER	Heating Capacity	COP	Cooling Capacity	EER	Heating Capacity	COP
SV	TXV/EXT	PSC	Copper	007	D	6,100	13.20	7,800	5.10	6,800	15.10	4,900	3.40
	TXV/EXT	PSC	Copper	009	D	8,200	12.40	9,900	4.70	8,700	14.60	5,700	3.20
	TXV/EXT	PSC	Copper	012	D	10,900	12.20	13,000	4.30	11,800	14.10	8,700	3.20
	TXV/EXT	PSC	Copper	015	D	14,200	12.80	16,100	4.40	14,200	14.60	11,300	3.30
	TXV/EXT	PSC	Copper	018	E	18,200	14.10	20,200	4.60	19,200	16.15	14,300	3.50
	TXV/EXT	PSC	Copper	024	E	24,300	14.20	27,400	5.00	25,400	16.90	18,100	3.55
	TXV/EXT	PSC	Copper	030	E	28,200	13.40	32,600	4.70	29,500	15.60	21,500	3.40
	TXV/EXT	PSC	Copper	036	E	36,900	14.30	38,800	4.65	38,500	16.65	27,100	3.55
	TXV/EXT	PSC	Copper	041	E	36,000	14.15	39,100	4.45	37,400	16.20	27,400	3.30
	TXV/EXT	PSC	Copper	042	E	39,600	13.65	42,800	4.45	41,200	15.90	30,000	3.25
	TXV/EXT	PSC	Copper	048	E	46,200	13.95	58,600	4.65	48,400	16.35	39,300	3.40
TXV/EXT	PSC	Copper	060	D	59,100	13.60	77,800	4.80	61,600	15.80	53,400	3.75	
SV	TXV/EXT	PSC	Copper	070	A	64,000	13.30	72,800	4.40	66,400	15.00	50,800	3.40
	TXV/EXT	ECM	Copper	015	D	13,700	13.90	15,500	4.40	14,400	16.20	10,700	3.30
	TXV/EXT	ECM	Copper	018	E	18,500	14.50	19,900	4.70	19,500	16.95	14,000	3.55
	TXV/EXT	ECM	Copper	024	E	24,700	14.90	27,000	5.10	25,800	17.65	17,700	3.60
	TXV/EXT	ECM	Copper	030	E	28,800	13.50	32,000	4.90	30,100	15.65	20,900	3.55
	TXV/EXT	ECM	Copper	036	E	37,200	14.70	38,400	4.75	38,800	17.10	26,700	3.60
	TXV/EXT	ECM	Copper	041	E	37,000	14.35	38,200	4.70	38,400	16.45	26,500	3.45
	TXV/EXT	ECM	Copper	042	E	40,500	14.20	41,800	4.60	42,100	16.60	29,000	3.40
	TXV/EXT	ECM	Copper	048	E	47,100	14.30	57,800	4.70	49,300	16.70	38,500	3.45
	TXV/EXT	ECM	Copper	060	A	59,000	14.30	66,400	4.30	61,100	16.40	46,200	3.30
TXV/EXT	ECM	Copper	060	D	59,600	14.40	77,000	4.95	62,200	16.55	52,400	3.90	
SV	TXV/EXT	ECM	Copper	070	A	65,200	14.60	71,800	4.60	67,600	16.60	50,000	3.50
	TXV/EXT	PSC	CuNi	007	D	6,100	13.10	7,800	5.00	6,800	15.10	4,900	3.40
	TXV/EXT	PSC	CuNi	009	D	8,200	12.40	9,900	4.70	8,700	14.60	5,700	3.20
	TXV/EXT	PSC	CuNi	012	D	10,900	12.20	13,000	4.30	11,800	14.10	8,700	3.20
	TXV/EXT	PSC	CuNi	015	D	14,200	12.80	16,100	4.30	14,200	14.60	11,300	3.30
	TXV/EXT	PSC	CuNi	018	E	18,100	13.70	20,300	4.60	19,100	15.85	14,000	3.55
	TXV/EXT	PSC	CuNi	024	E	24,200	14.30	26,900	4.95	25,300	16.75	17,800	3.55
	TXV/EXT	PSC	CuNi	030	E	27,900	13.25	31,800	4.70	29,200	15.60	21,100	3.40
	TXV/EXT	PSC	CuNi	036	E	36,100	14.10	38,200	4.50	37,500	16.25	26,800	3.45
	TXV/EXT	PSC	CuNi	041	E	36,100	13.60	39,000	4.45	37,500	15.75	27,100	3.30
	TXV/EXT	PSC	CuNi	042	E	38,100	13.45	40,700	4.40	39,600	15.55	29,400	3.30
	TXV/EXT	PSC	CuNi	048	E	46,400	13.55	57,100	4.55	48,500	15.95	38,500	3.25
TXV/EXT	PSC	CuNi	060	D	59,100	13.60	77,800	4.80	61,600	15.80	53,400	3.75	

SV	TXV/EXT	PSC	CuNi	070	A	64,000	13.20	72,800	4.40	66,400	15.00	50,800	3.40
	TXV/EXT	ECM	CuNi	015	D	13,700	13.90	15,500	4.40	14,400	16.20	10,700	3.30
	TXV/EXT	ECM	CuNi	018	E	18,400	14.10	19,300	4.65	19,300	16.35	13,700	3.60
	TXV/EXT	ECM	CuNi	024	E	24,600	14.60	26,500	5.05	25,700	17.15	17,400	3.60
	TXV/EXT	ECM	CuNi	030	E	28,500	13.35	31,200	4.90	29,800	15.80	20,500	3.55
	TXV/EXT	ECM	CuNi	036	E	36,400	14.50	37,800	4.60	37,800	16.70	26,400	3.50
	TXV/EXT	ECM	CuNi	041	E	37,100	13.80	38,100	4.70	38,500	16.00	26,200	3.45
	TXV/EXT	ECM	CuNi	042	E	38,500	13.60	39,400	4.50	39,900	15.55	28,200	3.35
	TXV/EXT	ECM	CuNi	048	E	47,300	13.65	56,300	4.60	49,400	16.05	37,700	3.30
	TXV/EXT	ECM	CuNi	060	A	59,000	14.30	66,400	4.30	61,100	16.40	46,200	3.30
	TXV/EXT	ECM	CuNi	060	D	59,600	14.40	77,000	4.95	62,200	16.55	52,400	3.90
	TXV/EXT	ECM	CuNi	070	A	65,200	14.60	71,800	4.60	67,600	16.60	50,000	3.50
	TXV/EXT	ECM	CuNi	70	B	65,200	14.60	71,800	4.60	67,600	16.60	50,000	3.50
SV	Captube	PSC	Copper	015	D	14,200	12.80	16,100	4.30				
	Captube	PSC	Copper	070	A	64,000	13.30	72,800	4.40				
	Captube	ECM	Copper	015	D	13,700	13.90	15,500	4.40				
	Captube	ECM	Copper	070	A	65,200	14.60	71,800	4.60				
	Captube	PSC	CuNi	015	D	14,200	12.80	16,100	4.30				
	Captube	PSC	CuNi	070	A	64,000	13.30	72,800	4.40				
	Captube	ECM	CuNi	015	D	13,700	13.90	15,500	4.40				
	Captube	ECM	CuNi	070	A	65,200	14.60	71,800	4.55				

ELECTRICAL DATA TABLES

PSC Blower Motor												
Model	Voltage Code	Voltage/Hz/Phase	Voltage Min/Max	Compressor			Blower Motor			Min. Circuit Amps	MOP CALC	MOP
				QTY	RLA	LRA	FLA	HP	Total Unit FLA			
SV018	1	208-230/1/60	197/253	1	7.4	33	1.8	0.25	9.2	11.1	18.5	15
	2	265/1/60	238/292	1	6	28	1.6	0.25	7.6	9.1	15.1	15
SV024	1	208-230/1/60	197/253	1	13.5	58.3	1.8	0.25	15.3	18.7	32.2	30
	2	265/1/60	238/292	1	9	54	1.6	0.25	10.6	12.9	21.9	20
	3	208-230/3/60	197/253	1	7.1	55.4	1.8	0.25	8.9	10.7	17.8	15
	4	460/3/60	414/506	1	3.5	28	0.9	0.25	4.4	5.3	8.8	15
SV030	1	208-230/1/60	197/253	1	12.8	64	1.8	0.25	14.6	17.8	30.6	30
	2	265/1/60	238/292	1	10.9	60	1.6	0.25	12.5	15.2	26.1	25
	3	208-230/3/60	197/253	1	8.3	58	1.8	0.25	10.1	12.2	20.5	20
	4	460/3/60	414/506	1	5.1	28	0.9	0.25	6	7.3	12.4	15
SV036	1	208-230/1/60	197/253	1	15.2	79	4.4	0.5	19.6	23.4	38.6	35
	2	265/1/60	238/292	1	11.6	72	3.3	0.5	14.9	17.8	29.4	25
	3	208-230/3/60	197/253	1	10.4	73	4.4	0.5	14.8	17.4	27.8	25
	4	460/3/60	414/506	1	5.8	38	1.8	0.5	7.6	9.1	14.9	15
SV048	1	208-230/1/60	197/253	1	19.6	130	6.8	0.75	26.4	31.3	50.9	45
	3	208-230/3/60	197/253	1	13.7	83.1	6.8	0.75	20.5	23.9	37.6	35
	4	460/3/60	414/506	1	6.2	41	5.5	0.75	11.7	13.3	19.5	15
	5	575/3/60	517/633	1	4.8	33	2.6	0.75	7.4	8.6	13.4	15

X13 Blower Motor												
Model	Voltage Code	Voltage/Hz/Phase	Voltage Min/Max	Compressor			Blower Motor			Min. Circuit Amps	MOP CALC	MOP
				QTY	RLA	LRA	FLA	HP	Total Unit FLA			
SV018	1	208-230/1/60	197/253	1	7.4	33	2.8	0.33	10.2	12.1	19.5	15
	2	265/1/60	238/292	1	6	28	2.6	0.33	8.6	10.1	16.1	15
SV024	1	208-230/1/60	197/253	1	13.5	58.3	2.8	0.33	16.3	19.7	33.2	30
	2	265/1/60	238/292	1	9	54	2.6	0.33	11.6	13.9	22.9	20
	3	208-230/3/60	197/253	1	7.1	55.4	2.8	0.33	9.9	11.7	18.8	15
	4	460/3/60	414/506	1	3.5	28	2.1	0.5	5.6	6.5	10	15
SV030	1	208-230/1/60	197/253	1	12.8	64	2.8	0.33	15.6	18.8	31.6	30
	2	265/1/60	238/292	1	10.9	60	2.6	0.33	13.5	16.2	27.1	25
	3	208-230/3/60	197/253	1	8.3	58	2.8	0.5	11.1	13.2	21.5	20
	4	460/3/60	414/506	1	5.1	28	2.1	0.5	7.2	8.5	13.6	15
SV036	1	208-230/1/60	197/253	1	15.2	79	4.1	0.5	19.3	23.1	38.3	35
	2	265/1/60	238/292	1	11.6	72	3.6	0.5	15.2	18.1	29.7	25
	3	208-230/3/60	197/253	1	10.4	73	4.1	0.5	14.5	17.1	27.5	25
	4	460/3/60	414/506	1	5.8	38	2.1	0.5	7.9	9.4	15.2	15
SV048	1	208-230/1/60	197/253	1	19.6	130	6.8	0.75	26.4	31.3	50.9	45
	3	208-230/3/60	197/253	1	13.7	83.1	6.8	0.75	20.5	23.9	37.6	35
	4	460/3/60	414/506	1	6.2	41	5.5	0.75	11.7	13.3	19.5	15
	5	575/3/60	517/633	1	4.8	33	2.6	0.75	7.4	8.6	13.4	15

EON Blower Motor												
Model	Voltage Code	Voltage/Hz/Phase	Voltage Min/Max	Compressor			Blower Motor			Min. Circuit Amps	MOP CALC	MOP
				QTY	RLA	LRA	FLA	HP	Total Unit FLA			
SV018	1	208-230/1/60	197/253	1	7.4	33	2.8	0.33	10.2	12.1	19.5	15
	2	265/1/60	238/292	1	6	28	2.6	0.33	8.6	10.1	16.1	15
SV024	1	208-230/1/60	197/253	1	13.5	58.3	2.8	0.33	16.3	19.7	33.2	30
	2	265/1/60	238/292	1	9	54	2.6	0.33	11.6	13.9	22.9	20
	3	208-230/3/60	197/253	1	7.1	55.4	2.8	0.33	9.9	11.7	18.8	15
	4	460/3/60	414/506	1	3.5	28	2.6	0.33	6.1	7.0	10.5	15
SV030	1	208-230/1/60	197/253	1	12.8	64	2.8	0.33	15.3	18.8	31.6	30
	2	265/1/60	238/292	1	10.9	60	2.6	0.33	13.5	16.2	27.1	25
	3	208-230/3/60	197/253	1	8.3	58	2.8	0.33	11.1	13.2	21.5	20
	4	460/3/60	414/506	1	5.1	28	2.6	0.33	7.7	9.0	14.1	15
SV036	1	208-230/1/60	197/253	1	15.2	79	4.3	0.5	19.5	23.3	38.5	35
	2	265/1/60	238/292	1	11.6	72	4.1	0.5	15.7	18.6	34.5	30
	3	208-230/3/60	197/253	1	10.4	73	4.3	0.5	14.7	17.3	27.7	25
	4	460/3/60	414/506	1	5.8	38	4.1	0.5	9.9	11.4	17.2	15
SV048	1	208-230/1/60	197/253	1	19.6	130	6.8	0.75	26.4	31.3	50.9	50
	3	208-230/3/60	197/253	1	13.7	83.1	6.8	0.75	20.5	23.9	37.6	35
	4	460/3/60	414/506	1	6.2	41	5.5	0.75	11.7	13.3	19.5	15
	5	575/3/60	517/633	1	4.8	33	2.6	0.75	7.4	8.6	13.4	15

Compressor Characteristics			
MODEL	Voltage Code	Voltage/Hz/Phase	Run Capacitor (µF/V)
SV007 VT & CF	1	208-230/1/60	15/370
	2	265/1/60	15/440
SV007 HZ	1	208-230/1/60	15/370
	2	265/1/60	15/440
SV009 VT & CF	1	208-230/1/60	15/370
	2	265/1/60	10/440
SV009 HZ	1	208-230/1/60	15/370
	2	265/1/60	10/440
SV012 VT & CF	0	120/1/60	35/370
	1	208-230/1/60	20/370
	2	265/1/60	15/440
SV012 HZ	0	120/1/60	35/370
	1	208-230/1/60	20/370
	2	265/1/60	15/440
SV015	1	208-230/1/60	25/440
	2	265/1/60	15/440
SV018	1	208-230/1/60	30/370
	2	265/1/60	30/440
SV024	1	208-230/1/60	35/370
	1	208-230/1/60	35/370
	2	265/1/60	40/370
	3	208-230/1/60	-
	4	460/3/60	-

SV030	1	208-230/1/60	40/370
	1	208-230/1/60	40/370
	2	265/1/60	40/370
	3	208-230/1/60	-
	3	208-230/1/60	-
	4	460/3/60	-
SV036	1	208-230/1/60	45/370
	2	265/1/60	60/370
	3	208-230/1/60	-
	4	460/3/60	-
	4	460/3/60	-
SV048	1	208-230/1/60	70/370
	3	208-230/1/60	-
	4	460/3/60	-
	5	575/3/60	-

PRESSURE TEMP

OPERATING DATA										
Model	Enter Fluid Temp (°F)	Water flow (GPM/Ton)	Cooling				Heating			
			Suction Pressure (PSIG)	Discharge Pressure (PSIG)	Water Temp Rise (°F)	Air Temp Drop (°F)	Suction Pressure (PSIG)	Discharge Pressure (PSIG)	Water Temp Rise (°F)	Air Temp Drop (°F)
SV018	30	3					58-68	275-285	5-6	19-23
		5					62-72	280-290	3-4	20-24
	40	3	122-140	225-235	17-19	21-25	71-81	290-300	7-8	22-26
		5	120-138	197-207	10-12	22-26	77-87	296-306	4-5	23-27
	50	3	123-141	241-251	15-17	21-25	88-98	308-318	7-8	25-29
		5	122-140	219-229	9-11	21-25	95-105	315-325	4-5	27-31
	60	3	124-142	273-283	15-17	20-24	105-115	324-334	9-10	29-32
		5	123-141	251-261	9-11	21-25	114-124	331-341	5-6	30-34
	70	3	126-144	310-320	14-16	20-24	125-135	340-350	10-11	32-36
		5	125-143	287-297	8-10	20-24	135-145	348-358	6-7	33-37
	80	3	128-146	351-361	14-16	19-23	146-156	356-366	12-13	35-39
		5	127-145	238-338	8-10	20-24	159-169	366-376	7-8	37-41
	90	3	130-148	397-407	14-16	19-23	169-179	374-384	13-14	39-43
		5	129-147	373-383	8-10	19-23	186-196	386-396	8-9	41-45
	100	3	132-150	447-457	14-16	18-22				
		5	131-149	423-433	8-10	18-22				

OPERATING DATA										
			Cooling				Heating			
Model	Enter Fluid Temp (°F)	Water flow (GPM/Ton)	Suction Pressure (PSIG)	Discharge Pressure (PSIG)	Water Temp Rise (°F)	Air Temp Drop (°F)	Suction Pressure (PSIG)	Discharge Pressure (PSIG)	Water Temp Rise (°F)	Air Temp Drop (°F)
SV024	30	4					69-79	276-296	7-8	19-23
		6					73-83	281-301	4-5	20-24
	40	4	123-140	216-234	17-19	22-26	83-93	291-311	8-9	22-26
		6	122-139	196-214	11-13	22-26	87-97	296-316	5-6	23-27
	50	4	124-141	234-252	15-17	21-25	100-110	310-330	9-10	25-29
		6	123-140	218-236	10-12	22-26	106-116	316-336	5-6	27-30
	60	4	126-143	269-287	15-17	21-25	118-128	329-349	10-11	28-32
		6	125-142	252-270	10-12	21-25	125-135	336-356	6-7	29-33
	70	4	128-145	307-325	15-17	20-24	139-149	347-367	12-13	31-35
		6	127-144	290-308	9-11	20-24	147-157	354-374	7-8	33-37
	80	4	130-147	349-367	14-16	19-23	160-170	364-384	14-15	35-39
		6	129-146	233-351	9-11	20-24	171-181	372-392	8-9	36-40
	90	4	132-149	396-414	14-16	19-23	185-195	382-402	16-17	38-42
		6	131-148	380-398	9-11	19-23	199-209	391-411	9-10	40-44
	100	4	134-151	449-467	14-16	18-22				
		6	133-150	432-450	9-11	18-22				

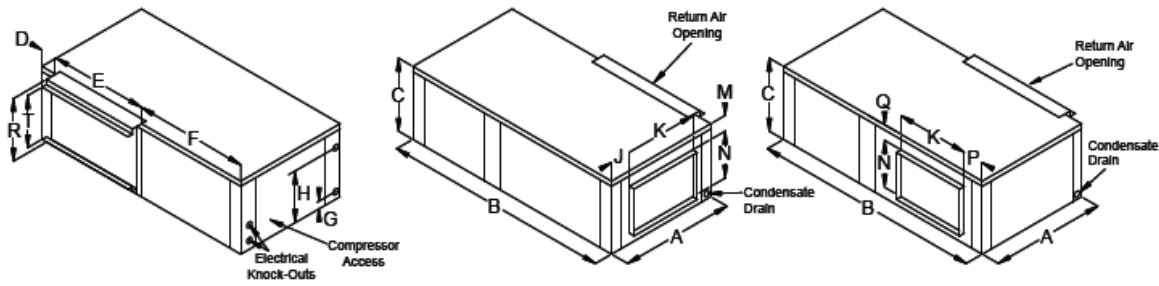
OPERATING DATA										
			Cooling				Heating			
Model	Enter Fluid Temp (°F)	Water flow (GPM/Ton)	Suction Pressure (PSIG)	Discharge Pressure (PSIG)	Water Temp Rise (°F)	Air Temp Drop (°F)	Suction Pressure (PSIG)	Discharge Pressure (PSIG)	Water Temp Rise (°F)	Air Temp Drop (°F)
SV030	30	4					64-74	289-309	7-8	19-23
		7					70-80	295-315	4-5	20-24
	40	4	120-138	233-251	20-22	21-25	77-87	305-325	8-9	22-26
		7	118-136	200-218	11-13	22-26	84-94	314-334	5-6	23-27
	50	4	121-139	249-267	18-20	21-25	94-104	327-347	9-10	25-29
		7	120-148	223-241	10-12	21-25	103-113	336-356	5-6	27-31
	60	4	123-141	283-301	18-20	21-25	111-121	344-364	10-11	28-32
		7	122-140	257-275	10-12	21-25	122-132	354-374	6-7	30-34
	70	4	125-143	323-341	17-19	20-24	130-140	361-381	12-13	32-36
		7	123-141	295-313	10-12	20-24	143-153	373-393	7-8	34-38
	80	4	127-145	366-384	17-19	19-23	150-160	378-398	14-15	35-39
		7	126-144	241-359	9-11	19-23	167-177	392-412	8-9	38-42
	90	4	129-147	414-432	17-19	19-23	173-183	397-414	16-17	39-43
		7	128-146	388-406	9-11	19-23	193-203	413-433	9-10	41-45
	100	4	131-149	466-484	17-19	18-22				
		7	130-148	441-459	9-11	18-22				

OPERATING DATA										
			Cooling				Heating			
Model	Enter Fluid Temp (°F)	Water flow (GPM/Ton)	Suction Pressure (PSIG)	Discharge Pressure (PSIG)	Water Temp Rise (°F)	Air Temp Drop (°F)	Suction Pressure (PSIG)	Discharge Pressure (PSIG)	Water Temp Rise (°F)	Air Temp Drop (°F)
SV036	30	4.5					60-70	278-298	7-8	17-21
		9					66-76	285-305	3-4	18-22
	40	4.5	119-135	226-250	23-25	22-26	72-82	292-312	9-10	19-23
		9	116-132	183-207	11-13	23-27	81-91	302-322	4-5	21-25
	50	4.5	121-137	259-283	22-24	21-25	86-96	308-328	10-11	22-26
		9	118-134	214-238	11-13	22-26	97-107	319-339	5-6	24-28
	60	4.5	123-139	295-319	22-24	21-25	101-111	323-343	12-13	25-29
		9	120-136	248-272	11-13	21-25	115-125	335-355	6-7	27-31
	70	4.5	124-140	335-359	22-24	20-24	117-127	337-357	14-15	28-32
		9	122-138	285-309	10-12	21-25	135-145	352-372	7-8	31-35
	80	4.5	126-142	378-402	21-23	20-24	135-145	352-372	16-17	31-35
		9	124-140	327-351	10-12	20-24	157-167	370-390	8-9	34-38
	90	4.5	128-144	425-449	20-22	19-23	155-156	369-389	17-18	34-38
		9	126-142	372-396	10-12	20-24	181-191	390-410	9-10	38-42
	100	4.5	130-146	477-501	20-22	19-23				
		9	128-144	423-447	10-12	19-23				

OPERATING DATA										
			Cooling				Heating			
Model	Enter Fluid Temp (°F)	Water flow (GPM/Ton)	Suction Pressure (PSIG)	Discharge Pressure (PSIG)	Water Temp Rise (°F)	Air Temp Drop (°F)	Suction Pressure (PSIG)	Discharge Pressure (PSIG)	Water Temp Rise (°F)	Air Temp Drop (°F)
SV048	30	6					62-82	326-346	8-9	19-23
		12					68-88	334-354	4-5	21-25
	40	6	113-129	216-236	22-24	22-26	74-94	341-361	9-10	22-26
		12	110-126	179-199	11-13	22-26	82-102	351-371	5-6	23-27
	50	6	115-131	247-267	22-24	21-25	88-108	357-377	11-12	24-28
		12	112-128	208-228	11-13	22-26	98-118	369-389	6-7	27-31
	60	6	116-132	282-302	22-23	21-25	102-122	374-394	12-13	28-32
		12	114-130	240-260	10-12	21-25	116-136	390-410	7-8	30-34
	70	6	119-135	320-340	20-22	20-24	118-138	393-413	14-15	31-35
		12	116-132	276-296	10-12	21-25	135-155	412-432	8-9	33-37
	80	6	121-137	361-381	20-22	20-24	136-156	413-433	16-17	34-38
		12	118-134	315-335	10-12	20-24	157-177	436-456	9-10	37-41
	90	6	122-138	406-426	20-22	19-23	156-176	434-454	18-19	37-41
		12	120-136	358-378	10-12	20-24	181-201	431-481	10-11	41-45
	100	6	125-141	454-474	19-21	19-23				
		12	122-138	406-426	10-12	19-23				

HORIZONTAL CABINET EFFECTS

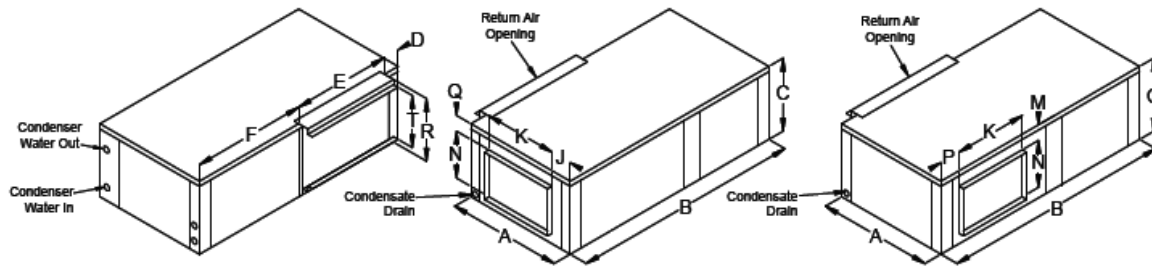
Horizontal Unit Dimensions																		
Overall unit dimensions do not include filter rack or duct flanges.																		
Model	A	B	C	D	E	F	G	H	J	K	M	N	P	Q	R	T	CONDENSER WATER CONNECTIONS	RECOMMENDED REPLACE- MENT NOMINAL FILTER HEIGHT
	WIDTH	DEPTH	HEIGHT	CABINET END TO FILTER RACK	R/A DUCT WIDTH	CABINET FRONT TO FILTER RACK	WATER INLET	WATER OUTLET	SIDE TO DISCHARGE (END)	DISCHARGE WIDTH	TOP TO DISCHARGE (FLE & FRS)	DISCHARGE HEIGHT	END TO DISCHARGE (STRAIGHT)	TOP TO DISCHARGE (FRE & FRS)	FILTER RACK HEIGHT	R/A DUCT FLANGE HEIGHT		
SV024	22.0	43.0	18.0	1.5	25.0	16.5	2.86	14.13	5.42	9.13	6.11	9.65	4.92	1.23	16.8	15.0	3/4" FPT	16x25x1
SV030	22.0	43.0	18.0	1.5	25.0	16.5	2.47	15.0	5.42	9.13	6.11	9.65	4.92	1.23	16.8	15.0	3/4" FPT	16x25x1



Left Hand Return End Blow (FLE)

Left Hand Return Straight Through (FLS)

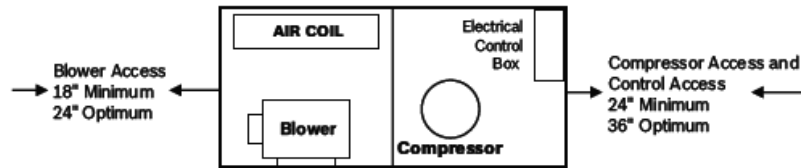
NOTE: Models LV048 & 060 Left Hand Return units have condenser water connections on the front right and electrical knockouts on the front left.



Right Hand Return End Blow (FRE)

Right Hand Return Straight Through (FRS)

Service Clearances



NOTE: The local electric codes may require 36" or more clearance at the electrical control box. Subject to change without prior notice.

Figure #2 – SV Horizontal Cabinet Dimensions

NOTE: All dimensions within +0.125". All condensate drain connections are 3/4" FPT. SV015-070 can be field converted between end blow and straight thru supply air configurations. 1" filter rack extends 1.23" beyond

the side of the unit. 2" filter rack extends 2.89" beyond the side of the unit. The 2" filter rack is 4 sided with filter access door on one end and can accept either a 1" or 2" filter.

OVERLOAD SETTING VERIFICATION

Thermal Overload Relays are used on 036-1 PSC & EON blower equipped units and all 036-2 units. Thermal Overloads are also used on 042-1 PSC units.

Prior to energizing these units, visually verify the amperage setting of the overload relay is set as defined below in Figures 3 - 6.

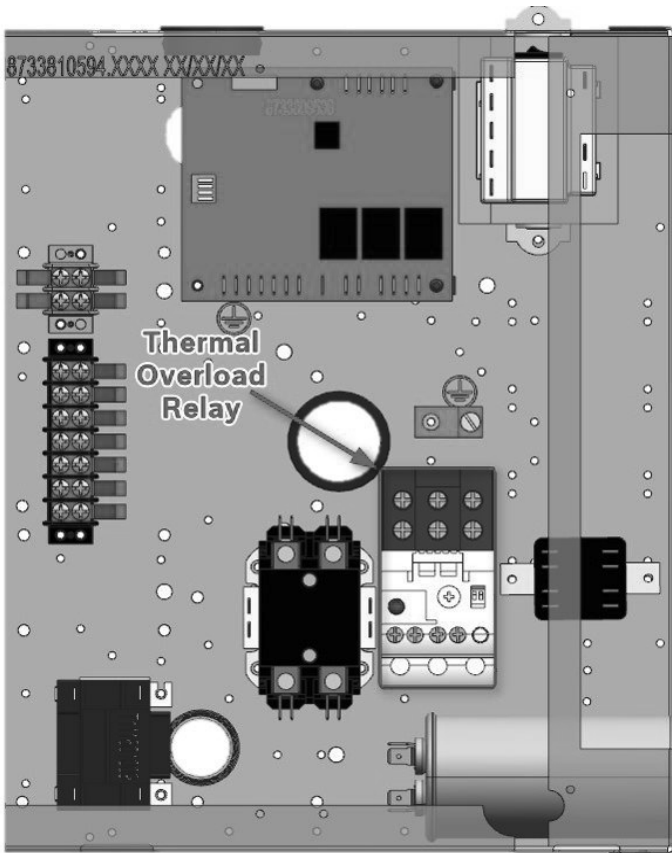


Figure 3 – Overload Relay E-Box Mounting Location



Figure 4 – 036-1 PSC & EON Units Overload Settings



Figure 5 – 036-2 Units Overload Settings

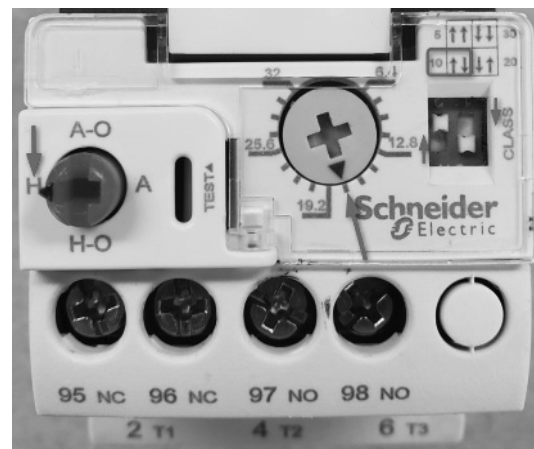


Figure 6 – 042-1 Units Overload Settings